

80 Series™ thermostat submittal sheet

Job Name _____ Location _____ Date _____

Purchaser _____ Installer _____

Submitted To _____ For RNC R&R Commercial



1F85U-42PR
1F85U-42NP

ELECTRICAL RATING

Hardwire: 20 to 30 VAC
NEC Class II, 50/60 Hz

SETPOINT RANGE

45° F to 99° F (7°C to 37°C)

ACCESSORIES

Wallplate: F61-2663 (6-3/4" x 4-1/2")
Thermostat Guard: F29-0198

RATED DIFFERENTIALS (@ 6°F / HR)

	Fast	Med	Slow
Heat (Conventional Gas/Oil/Elect:)	0.5°F	0.75°F	1.9°F
Cool (Central Air)	0.9°F	1.2°F	1.7°F
Heat Pump (Heat and Cool)	0.9°F	1.2°F	1.7°F
Heat Pump (Aux)	0.5°F	0.75°F	1.9°F

TERMINAL LOAD

Staging Models	1.5 A per terminal 2.5 A per maximum all terminals combined
Single Stage Models:	1.0 A per terminal 1.5 A per maximum all terminals combined

OPERATING AMBIENT

32°F to +105°F
(0°C to +41°C)

OPERATING HUMIDITY

90% non-condensing max

SHIPPING TEMPERATURE

-20°F to +150°F
(-29°C to +65°C)

THERMOSTAT DIMENSIONS

3-3/4"H x 6"W x 1-1/8"D

TERMINAL DESIGNATIONS



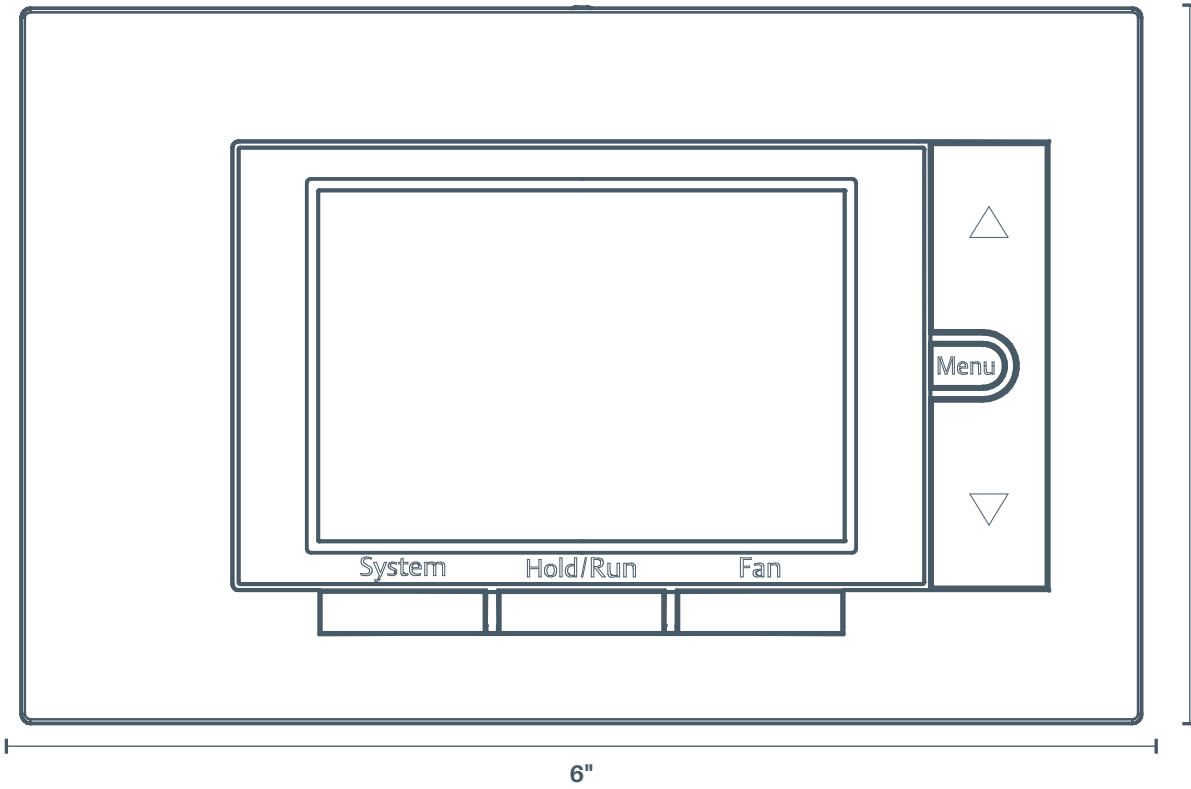
Model	Program Options				Max Stages Heat/Cool		Applications			Power Source		Selectable Performance Features				Comfort and Convenience Features				
	7 Day	5+1+1 Day	Non-Programmable	Program Periods per Day	Conventional	Heat Pump	Gas/Oil/Electric	3 Wire Zone Valve	Milivolt Compatible	Battery	Hardwired (24V)	Auto Changeover	EMR/ Early Start Program	Temperature Setpoint Limits Adjustable Max./Min.	Duel Fuel Control (L)-Logic/(O)-Outdoor Sensor	Circulating Fan	Filter Change Reminder	Keypad Lockout	Continuous Backlight w/ Common Wire	Permanent Memory
1F85U-42PR	✓	✓	0	4,2,0	2/2	4/1	✓	✓	✓	✓	✓	✓	✓	✓	L	✓	✓	✓	✓	✓
1F85U-42NP			0	0	2/2	4/1	✓	✓	✓	✓	✓	✓		✓	L	✓		✓	✓	✓

1F85U-42PR
1F85U-42NP

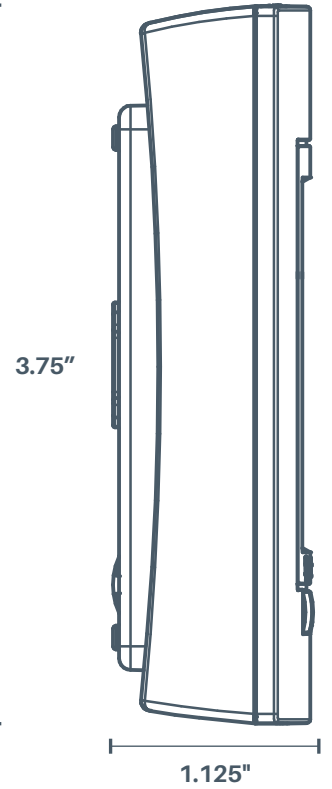
Dimensions

IMAGES ARE TO SCALE

Thermostat front



Thermostat side
(with backplate)



Thermostat backplate

