

The 200RD is a pilot-operated, 2-way, normally closed, solenoid valve that is suitable for all refrigerants, including R-410A and R-744. 200RD valves are used for liquid, discharge, or suction gas refrigerant service.

### Features

- One coil fits all valve sizes
- Extended ends for easy installation (standard)
- Long-life molded coils
- PTFE O-ring for superior external sealing

### Options

- Available in 7 orifice sizes
- Manual stem or mounting stud
- Bi-Flow operation-conversion either factory assembled or with kit except 200RD7 and 200RD9



### Specifications

- Maximum fluid temperature: 250°F
- Maximum working pressure: 680 psig
- Minimum operating pressure drop: 2 psi
- MOPD: 550 psig
- UL/CUL file number: MP604

NOTE: Mounting enclosing tube more than 90° off vertical up position is not recommended.

NOTE: MOPD based on AC application. Consult application engineer for DC application.

### Nomenclature example: 200RD 4T3M VLC

<b>200R</b>	<b>D</b>	<b>4</b>	<b>T</b>	<b>3</b>	<b>M</b>	<b>VLC</b>
Valve Series	Design Series	Port Size (in 1/16")	Connection Type T = Copper Extended Ends	Connection Size (In 1/8")	M = manual stem T = mounting stud (optional)	Coil*

\*NOTE: Valves are shipped without the solenoid coils (VLC = Valve Less Coil). See available coil assemblies.

### Ordering Information and Nominal \* Liquid Capacity - Tons (kW)

PCN			Description	Connection Size	R-410A	R-744
Standard Valve	Mounting Stud <sup>1</sup>	Manual Stem <sup>2</sup>				
066158	066179	–	200RD 2 T 2	1/4 ODF	3.4 (11.9)	8.16 (28.7)
066159	066180	–	200RD 2 T 3	3/8 ODF		
066160	–	–	200RD 3 T 2	1/4 ODF	4.5 (15.8)	10.86 (38.2)
066161	066182	066203	200RD 3 T 3	3/8 ODF		
066162	066183	066204	200RD 3 T 4	1/2 ODF		
066163	066184	066205	200RD 4 T 3	3/8 ODF	7.5 (26.4)	18.01 (63.3)
066164	066185	066206	200RD 4 T 4	1/2 ODF		
066165	066186	066181	200RD 4 T 5	5/8 ODF		
066166	066187	066208	200RD 5 T 3	3/8 ODF		
066167	066188	066209	200RD 5 T 4	1/2 ODF	7.7 (27.1)	18.62 (65.5)
066168	066189	066210	200RD 5 T 5	5/8 ODF		
066169	066190	066211	200RD 6 T 4	1/2 ODF	8.9 (31.3)	21.49 (75.6)
066170	066191	066212	200RD 6 T 5	5/8 ODF		
066172	066195	066214	200RD 7 T 5	5/8 ODF	15.7 (55.2)	37.62 (132.3)
066173	066194	066215	200RD 7 T 7	7/8 ODF		
066174	066202	066216	200RD 9 T 5	5/8 ODF	27.7 (97.6)	67.66 (238.0)
066175	066196	066217	200RD 9 T 7	7/8 ODF		
066176	066197	066218	200RD 9 T 9	1 1/8 ODF		

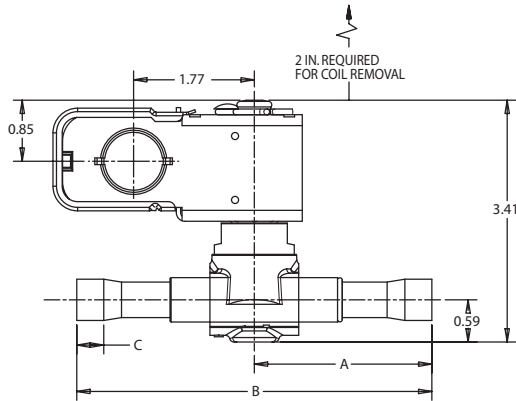
<sup>1</sup> Add "T" to the end of description for Mounting Stud  
<sup>2</sup> Add "M" to the end of the description for Manual Stem

Capacities based on ARI standard.  
 All ratings are based on largest connection size  
 \*See Extended Capacity Tables for ratings at a wide range of conditions.

## Ordering Information and Nominal Liquid Capacity Table for Bi-Flow Solenoids - Tons (kW)

PCN			Description	Connection Size	R-12	R-134a	R-22	R-407C	R-404A/R-507	R-502	R-410A
Standard Valve	Mounting Stud	Manual Stem									
016996	--	--	200RD3T3 VLC BF	3/8 ODF	3.04 (10.69)	3.62 (12.73)	4.80 (16.88)	4.51 (15.86)	2.52 (8.86)	3.14 (11.04)	4.50 (15.83)
016997	--	--	200RD4T3 VLC BF	3/8 ODF	4.95 (17.41)	6.00 (21.10)	7.95 (27.96)	7.48 (26.31)	4.18 (14.70)	5.21 (18.32)	7.45 (26.20)
016998	--	--	200RD5T4 VLC BF	1/2 ODF	5.20 (18.29)	6.21 (21.84)	8.22 (28.91)	7.73 (27.19)	4.33 (15.23)	5.39 (18.96)	7.71 (27.11)
016999	--	--	200RD5T5 VLC BF	5/8 ODF							
017000	--	--	200RD6T5 VLC BF	5/8 ODF	6.01 (21.14)	7.16 (25.18)	9.48 (33.34)	8.92 (31.37)	4.99 (17.55)	6.22 (21.87)	8.89 (31.26)

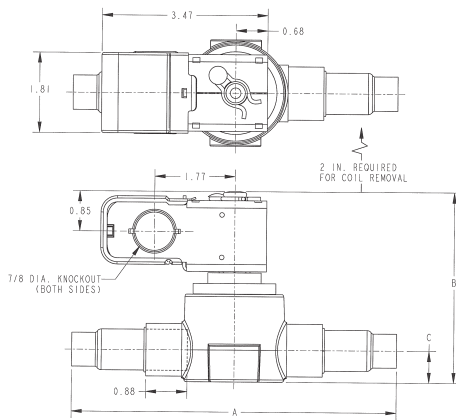
### With Extended Ends



### With Extended Ends

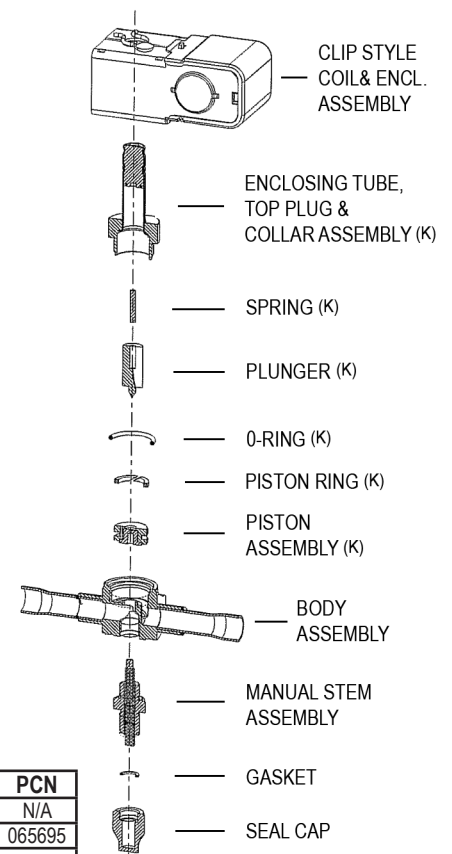
Valve	Port Size	Connection Size & Style	A	B	C
200RD 2T2	1/8	1/4 ODF	2.42	4.62	0.25
200RD 2T3		3/8 ODF			0.31
200RD 3T2	3/16	1/4 ODF			0.25
200RD 3T3		3/8 ODF			0.31
200RD 3T4	1/4	1/2 ODF	2.50	5.00	0.38
200RD 4T4		5/8 ODF	3.25	6.50	0.50
200RD 4T5	5/16	3/8 ODF	2.31	4.62	0.31
200RD 5T3		1/2 ODF	2.50	5.00	0.38
200RD 5T4	3/8	5/8 ODF	3.25	6.50	0.50
200RD 5T5		1/2 ODF	2.50	5.00	0.38
200RD 6T4	3/8	5/8 ODF	3.25	6.50	0.50
200RD 6T5		1/2 ODF	2.50	5.00	0.38

### 200RD7 and 200RD9 Dimensional Data (in)



Valve	Port Size	Connection Size & Style	A	B	C
200RD7S5	7/16	5/8 ODF x 7/8 ODM	2.98	3.69	0.53
200RD7T5		5/8 ODF x 5/8 ODF	6.88		
200RD7T7		7/8 ODF x 7/8 ODF	7.13		
200RD9T5	9/16	5/8 ODF x 5/8 ODF	6.88	4.05	0.68
200RD9T6		3/4 ODF x 3/4 ODF	7.38		
200RD9T7		7/8 ODF x 7/8 ODF	7.13		
200RD9T9		1 1/8 ODF x 1 1/8 ODF	8.50		

### Exploded View & Parts Kit Data



(K) Indicate parts supplied in a complete valve repair kit.

### Valve Kits

Valve	Complete Kit	PCN	Gasket Kit	OCN	Bi-Flow Kit	PCN	Manual Opening Kit	PCN
200RD2	KS30386	066223	KG10025	049190	KS30387	066224	N/A	N/A
200RD3	KS30386	066223	KG10025	049190	KS30387	066224	KS30377	065695
200RD4	KS30386	066223	KG10025	049190	KS30387	066224	KS30117	053959
200RD5								
200RD6								
200RD7	KS30390	066449	KG00002	64262	N/A	N/A	KS30361	064831
200RD9	KS30391	066450	KG00003	064830			KS30364	064832