

Copeland™ ZX/ZXV Condensing Units

Spare parts list

COPELAND™



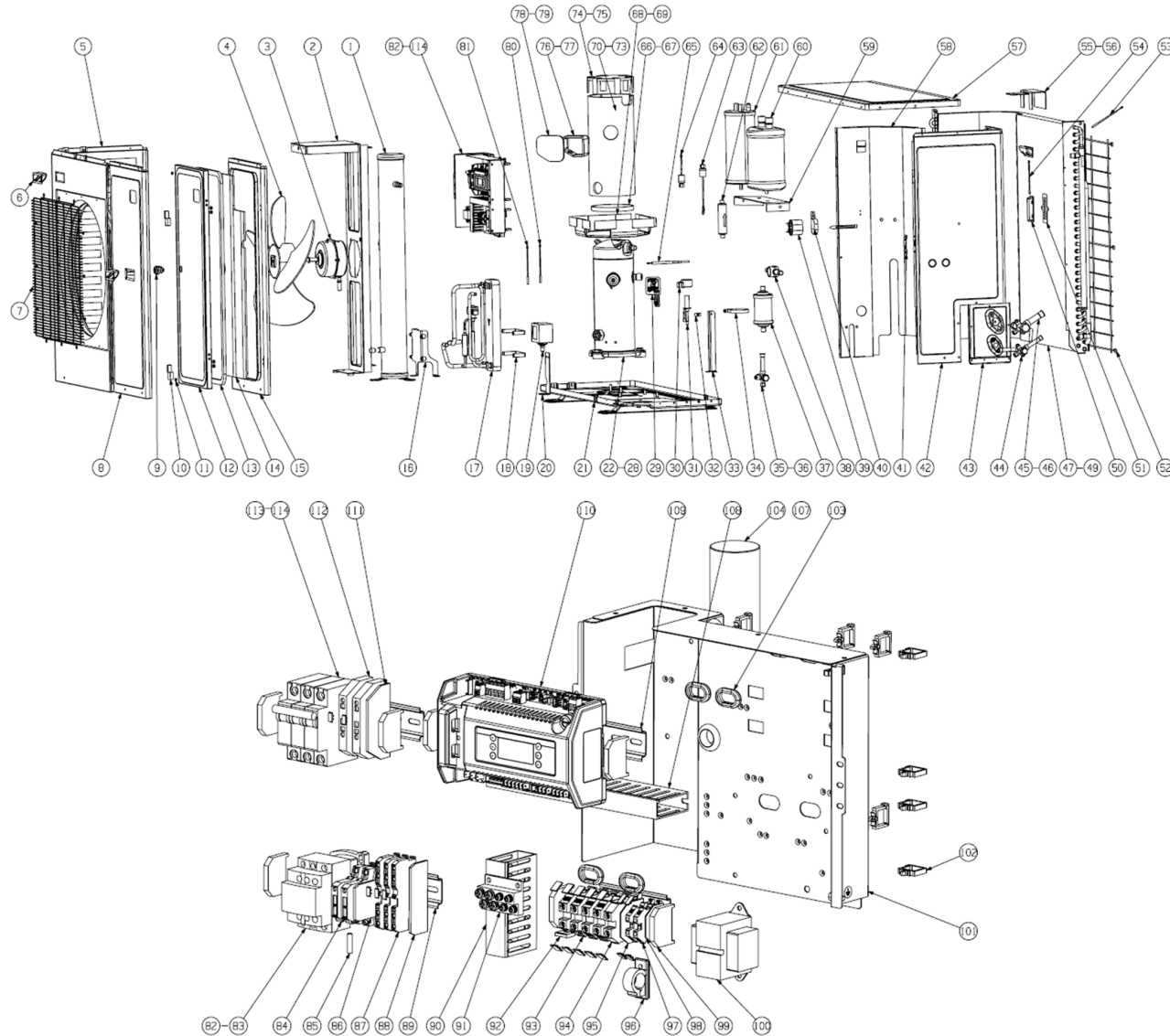
EMERSON™

Table of Contents

	Page
Copeland™ Scroll ZX/ZXL-PFJ Condensing Unit Spare Parts List	<u>3</u>
ZX/ZXL-PFJ Bill of Materials	<u>4</u>
Copeland Scroll ZX Condensing Unit Spare Parts List	<u>8</u>
ZX Bill of Materials	<u>9</u>
Copeland Scroll ZXL Condensing Unit Spare Parts List	<u>15</u>
ZXL Bill of Materials	<u>16</u>
Copeland Scroll ZXB Condensing Unit Spare Parts List	<u>22</u>
ZXB Bill of Materials	<u>23</u>
Copeland Scroll ZXD-TFD-TF7 Condensing Unit Spare Parts List	<u>27</u>
ZXD-TFD-TF7 Bill of Materials	<u>28</u>
Copeland Scroll ZXD-ZXLD 12-16HP Condensing Unit Spare Parts List	<u>34</u>
ZXD-ZXLD 12-16HP Bill of Materials	<u>35</u>
Copeland Scroll ZXD-ZXLD 20HP Condensing Unit Spare Parts List	<u>40</u>
ZXD-ZXLD 20HP Bill of Materials	<u>42</u>
Copeland Scroll ZXV Condensing Unit Spare Parts List	<u>47</u>

Copeland™ Scroll ZX/ZXL-PFJ Condensing Unit

Spare Parts List



Bill of materials

Item	Part Name	中文名	P/N	ZXL Units						ZX Units							
				ZXL020BE		ZXL025BE		ZXL030BE		ZX020B0/E		ZX025B0/E		ZX030B0/E		ZX040B0/E	
				PFJ		PFJ		PFJ		PFJ		PFJ		PFJ		PFJ	
				4XX	5XX	4XX	5XX	4XX	5XX	4XX	5XX	4XX	5XX	4XX	5XX	4XX	5XX
1	Receiver	单风机储液器	077-0033-00	1	1	1	1	1	1	1	1	1	1	1	1	1	
2	Bracket-Fan Motor	单风机马达支架	074-1424-00	1	1	1	1	1	1	1	1	1	1	1	1	1	
3	Motor-Fan	风扇电机	050-0308-01	1	1	1	1	1	1	1	1	1	1	1	1	1	
4	Blade-Fan	扇叶	083-6931-00	1	1	1	1	1	1	1	1	1	1	1	1	1	
5	Plate-Front Left	单风机左前钣金挡板	005-7215-00	1	1	1	1	1	1	1	1	1	1	1	1	1	
6	Cover-Handle	把手	005-7193-00	2	3	2	3	2	3	2	3	2	3	2	3	2	
7	Guard-Fan	风扇网罩	024-0264-00	1	1	1	1	1	1	1	1	1	1	1	1	1	
8	Cover-Panel Front Right	单风机右前钣金挡板	005-1868-00		1		1		1		1		1				
9	Lock-Door	门锁	032-0818-00	1		1		1		1		1		1		1	
10	Hinge-Door	门铰链	032-0819-00	2		2		2		2		2		2		2	
11	Spacer-Door	门支撑塞	027-0488-00	2		2		2		2		2		2		2	
12	Cover-Door	单风机门	005-1648-00	1		1		1		1		1		1		1	
13	Gasket-Door	门密封条	020-1634-01	1		1		1		1		1		1		1	
14	Insulator-Sound Door	消音棉	064-0605-00	1		1		1		1		1		1		1	
15	Bracket-Door	门框	074-1423-00	1		1		1		1		1		1		1	
16	Bracket-PHE Fixing	板换固定支架	074-1216-00	1	1	1	1	1	1								
17	PHE Assembly	板换组件	528-2347-00	1	1	1	1	1	1								
18	Clamp-PHE Fixing	板换固定夹	032-0686-01	2	2	2	2	2	2								
19	Control-Adjustable LP	可调低压控制器	085-0205-00	1	1	1	1	1	1	1	1	1	1	1	1	1	
20	Bracket-LP Controller	可调低压控制器支架	074-1384-00	1	1	1	1	1	1	1	1	1	1	1	1	1	
21	Base-Plate	底板	022-0644-00	1	1	1	1	1	1	1	1	1	1	1	1	1	
22	Weld Compressor	压缩机	ZXI06KCE-PFJ-687	1	1												
23	Weld Compressor	压缩机	ZXI08KCE-PFJ-687			1	1										
24	Weld Compressor	压缩机	ZXI09KCE-PFJ-687					1	1								
25	Weld Compressor	压缩机	ZX29KC(E)-PFJ-558												1	1	
26	Weld Compressor	压缩机	ZX21KC(E)-PFJ-558											1	1		
27	Weld Compressor	压缩机	ZX19KC(E)-PFJ-558								1	1					
28	Weld Compressor	压缩机	ZX15KC(E)-PFJ-558							1	1						
29	Power Cable-Molded Plug	压缩机电源线	529-0060-04	1	1	1	1	1	1								
30	Coil-EXV	电子膨胀阀线圈	023-0105-01	1	1	1	1	1	1	1	1	1	1	1	1	1	
31	Valve-EXV	电子膨胀阀阀体	010-0104-00	1	1	1	1	1	1	1	1	1	1	1	1	1	
32	Clip-EXV	电子膨胀阀固定夹	032-0588-00	1	1	1	1	1	1	1	1	1	1	1	1	1	

Remarks: 4xx: with Door BOM (401/451), 5xx: without Door BOM (501/551)

Item	Part Name	中文名	P/N	ZXL Units						ZX Units							
				ZXL020BE		ZXL025BE		ZXL030BE		ZX020B0/E		ZX025B0/E		ZX030B0/E		ZX040B0/E	
				PFJ		PFJ		PFJ		PFJ		PFJ		PFJ		PFJ	
				4XX	5XX	4XX	5XX	4XX	5XX	4XX	5XX	4XX	5XX	4XX	5XX	4XX	5XX
33	Bracket-EXV	电子膨胀阀支架	074-1207-00	1	1	1	1	1	1	1	1	1	1	1	1	1	
34	Clamp-Drier	干燥过滤器固定夹	032-0754-00	1	1	1	1	1	1	1	1	1	1	1	1	1	
35	Valve-service	维修截止阀	010-7009-02	1	1	1	1	1	1								
36	Valve-service	维修截止阀	010-7009-01							1	1	1	1	1	1	1	
37	Drier-Liquid Line	干燥过滤器	013-7014-00	1	1	1	1	1	1	1	1	1	1	1	1	1	
38	Sight-Glass Liquid Line	视液镜	070-6904-00	1	1	1	1	1	1	1	1	1	1	1	1	1	
39	Capacitor	风机电容	014-0079-00	1	1	1	1	1	1	1	1	1	1	1	1	1	
40	Clamp-Capacitor (Fan-motor)	风机电容固定夹	032-0743-00	1	1	1	1	1	1	1	1	1	1	1	1	1	
41	Bracket-Cover Right	右侧板挂钩	074-1507-00	1	1	1	1	1	1	1	1	1	1	1	1	1	
42	Cover-Right	单风机右侧板	005-1331-00	1	1	1	1	1	1	1	1	1	1	1	1	1	
43	Valve-Plate	维修截止阀底板	003-1220-00	1	1	1	1	1	1	1	1	1	1	1	1	1	
44	Valve-Service 1/2"	1/2维修截止阀	010-0107-00	1	1	1	1	1	1	1	1	1	1	1	1	1	
45	Valve-Service 1"	7/8维修截止阀	010-7008-00													1	
46	Valve-Service 3/4"	3/4维修截止阀	010-7009-00	1	1	1	1	1	1	1	1	1	1	1			
47	Condenser	冷凝器	066-0547-00													1	
48	Condenser	冷凝器	066-0548-00			1	1	1	1			1	1	1	1		
49	Condenser	冷凝器	066-0545-00	1	1					1	1						
50	Cover-Handle with Hole	带孔把手	005-7193-01	1	1	1	1	1	1	1	1	1	1	1	1	1	
51	Cover-Sensor	环境温度传感器保护罩	005-1280-00	1	1	1	1	1	1	1	1	1	1	1	1	1	
52	Guard-Cond Coil	单风机冷凝器网罩	024-0263-00	1	1	1	1	1	1	1	1	1	1	1	1	1	
53	Sensor-Coil	冷凝温度传感器	043-0199-00	1	1	1	1	1	1	1	1	1	1	1	1	1	
54	Sensor-Ambient	环境温度传感器	043-0198-00	1	1	1	1	1	1	1	1	1	1	1	1	1	
55	Bracket-Stabilizer Top	冷凝器固定支架	074-1205-03													1	
56	Bracket-Stabilizer Top	冷凝器固定支架	074-1205-05	1	1	1	1	1	1	1	1	1	1	1			
57	Cover-Top	顶部盖子	005-1719-00	1	1	1	1	1	1	1	1	1	1	1	1	1	
58	Plate-Divider	单风机中隔板	003-1487-00	1	1	1	1	1	1	1	1	1	1	1	1	1	
59	Bracket-O/S	油分支架	074-1342-00	1	1	1	1	1	1	1	1	1	1	1	1	1	
60	Tank-Accumulator	气液分离器	077-0037-00	1	1	1	1	1	1								
61	Tank-Oil Separator	油分	077-0044-00	1	1	1	1	1	1	1	1	1	1	1	1	1	
62	Valve-Check	止回阀	010-7003-01	1	1	1	1	1	1								
63	Control-High Pressure	高压开关	085-0267-02	1	1	1	1	1	1	1	1	1	1	1	1	1	
64	Control-Low Pressure	低压开关	085-0268-01							1	1	1	1	1	1	1	
65	Thermistor-Discharge	排气温度传感器	043-0200-00	1	1	1	1	1	1	1	1	1	1	1	1	1	

Remarks: 4xx: with Door BOM (401/451), 5xx: without Door BOM (501/551)

Item	Part Name	中文名	P/N	ZXL Units						ZX Units							
				ZXL020BE		ZXL025BE		ZXL030BE		ZX020B0/E		ZX025B0/E		ZX030B0/E		ZX040B0/E	
				PFJ		PFJ		PFJ		PFJ		PFJ		PFJ		PFJ	
				4XX	5XX	4XX	5XX	4XX	5XX	4XX	5XX	4XX	5XX	4XX	5XX	4XX	5XX
66	Heater-Crankcase	压缩机加热带	018-0112-01							1	1	1	1	1	1	1	1
67	Heater-Crankcase	压缩机加热带	018-0112-02	1	1	1	1	1	1								
68	Sound-Cap-Comp Bottom	压缩机底部消音棉	005-1859-00	1	1	1	1	1	1								
69	Sound-Cap-Comp Bottom	压缩机底部消音棉	005-1593-00							1	1	1	1	1	1	1	1
70	Sound Cover-Comp Side	压缩机侧面消音棉	005-1857-00							1	1	1	1				
71	Sound Cover-Comp Side	压缩机侧面消音棉	005-1857-01											1	1		
72	Sound Cover-Comp Side	压缩机侧面消音棉	005-1857-02													1	1
73	Sound Cover-Comp Side	压缩机侧面消音棉	005-1858-00	1	1	1	1	1	1								
74	Sound Cap-Comp Top	压缩机顶部消音棉	005-1567-00	1	1	1	1	1	1								
75	Sound Cap-Comp Top	压缩机顶部消音棉	005-1853-01							1	1	1	1	1	1	1	1
76	Sound Cover-T Box Side	压缩机接线盒消音棉	005-1860-00	1	1	1	1	1	1								
77	Sound Cover-T Box Side	压缩机接线盒消音棉	005-1659-00							1	1	1	1	1	1	1	1
78	sound cap-T BOX	压缩机接线盒顶部消音棉	005-1861-00	1	1	1	1	1	1								
79	sound cap-T BOX	压缩机接线盒顶部消音棉	005-1658-00							1	1	1	1	1	1	1	1
80	Sensor-Vapor Out	板换出口温度传感器	043-0201-00	1	1	1	1	1	1								
81	Sensor-Vapor In	板换进口温度传感器	043-0202-00	1	1	1	1	1	1								
82	Contactora	接触器	012-0248-04													1	1
83	Contactora	接触器	012-0248-03	1	1	1	1	1	1	1	1	1	1	1	1		
84	Connector-Fuse Holder	保险丝支架	521-0218-00	2	2	2	2	2	2	2	2	2	2	2	2	2	2
85	Fuse	保险丝	071-0653-00	1	1	1	1	1	1	1	1	1	1	1	1	1	1
86	Cover-Fuse	保险丝盖子	005-1281-00	1	1	1	1	1	1	1	1	1	1	1	1	1	1
87	Block Terminal	连接端子	080-0146-00	3	3	3	3	3	3	3	3	3	3	3	3	3	3
88	Cover-Terminal	端子盖板	005-1825-00	1	1	1	1	1	1	1	1	1	1	1	1	1	1
89	Rail-Mounting	导轨	074-1544-00	3	3	3	3	3	3	3	3	3	3	3	3	3	3
90	Duct-Wire 25x50	配线槽 25x50	076-0025-00	1	1	1	1	1	1	1	1	1	1	1	1	1	1
91	Block-Ground	接地端子块	080-0144-00	1	1	1	1	1	1	1	1	1	1	1	1	1	1
92	Connector-Jumper	端子跨接器	021-0466-00	2	2	2	2	2	2	2	2	2	2	2	2	2	2
93	Block Terminal	连接端子	080-0145-00	4	4	4	4	4	4	4	4	4	4	4	4	4	4
94	Block-Terminal Ground	接地端子	080-0145-01	1	1	1	1	1	1	1	1	1	1	1	1	1	1
95	Cover-Terminal PE	端子盖板	005-1824-00	1	1	1	1	1	1	1	1	1	1	1	1	1	1
96	Clamp-Wire Harness	配线固定夹	032-0704-02	1	1	1	1	1	1	1	1	1	1	1	1	1	1
97	Block Terminal	连接端子	080-0145-02	2	2	2	2	2	2	2	2	2	2	2	2	2	2
98	Cover-Terminal	端子盖板	005-1824-01	1	1	1	1	1	1	1	1	1	1	1	1	1	1
99	Block Fixing	端子固定挡板	080-0108-00	7	7	7	7	7	7	7	7	7	7	7	7	7	7

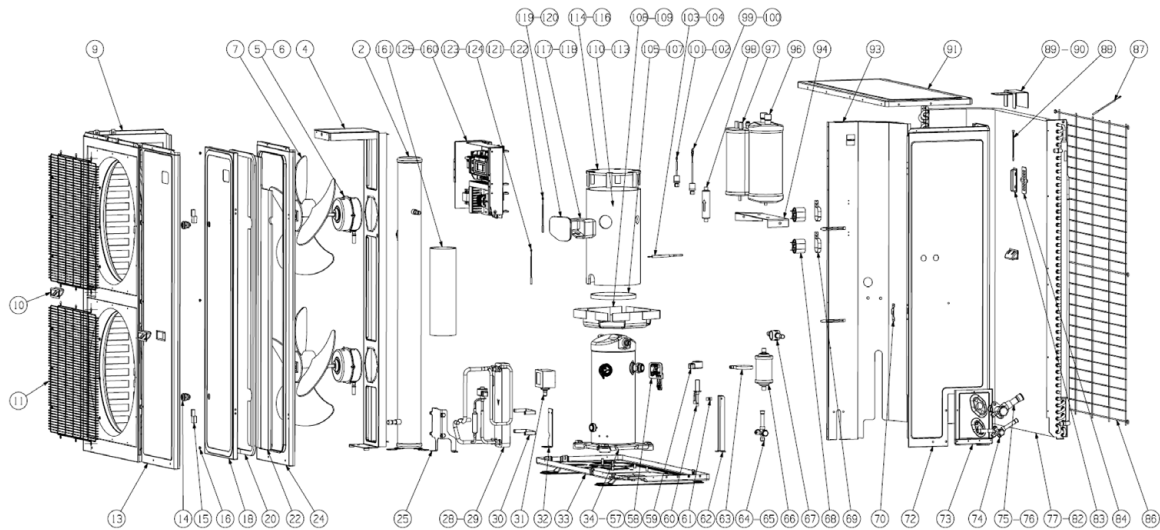
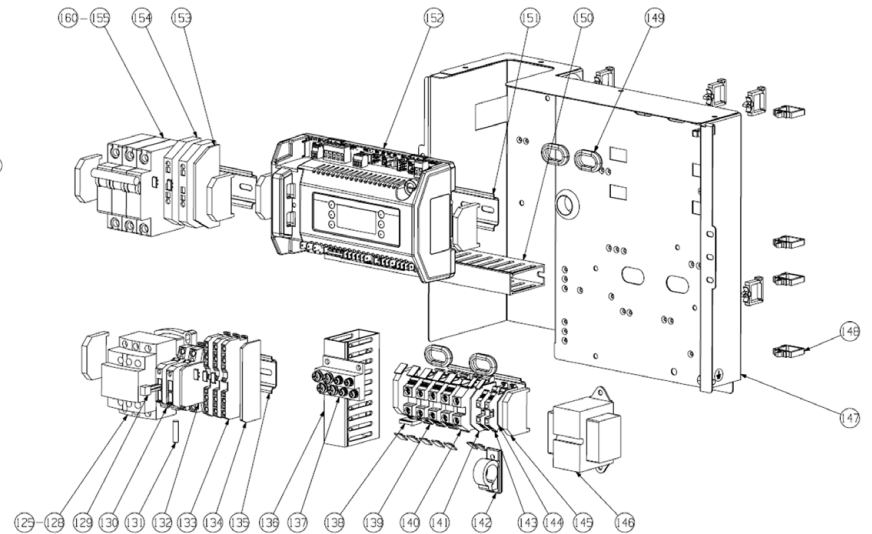
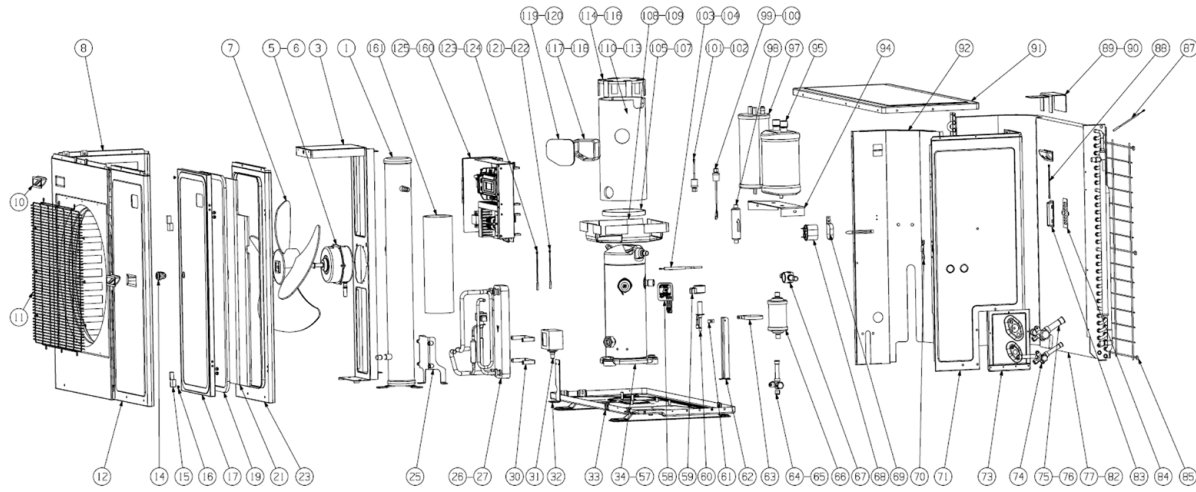
Remarks: 4xx: with Door BOM (401/451), 5xx: without Door BOM (501/551)

Item	Part Name	中文名	P/N	ZXL Units						ZX Units							
				ZXL020BE		ZXL025BE		ZXL030BE		ZX020B0/E		ZX025B0/E		ZX030B0/E		ZX040B0/E	
				PFJ		PFJ		PFJ		PFJ		PFJ		PFJ		PFJ	
				4XX	5XX	4XX	5XX	4XX	5XX	4XX	5XX	4XX	5XX	4XX	5XX	4XX	5XX
100	Transformer-Control	控制器变压器	037-0040-00	1	1	1	1	1	1	1	1	1	1	1	1	1	1
101	Electronic Cover Assm	电控箱	505-1307-00	1	1	1	1	1	1	1	1	1	1	1	1	1	1
102	Clamp-Wire	电线护线夹	032-0839-00	13	13	13	13	13	13	13	13	13	13	13	13	13	13
103	Cover-Electric Outlet	护线环	005-1423-00	7	7	7	7	7	7	7	7	7	7	7	7	7	7
104	Capacitor-Running	运行电容	014-0064-14							1	1						
105	Capacitor-Running	运行电容	014-0064-25									1	1				
106	Capacitor-Running	运行电容	014-0064-26	1	1									1	1	1	1
107	Capacitor-Running	运行电容	014-0064-27			1	1	1	1								
108	Duct-Wire 20x50	配线槽 20x50	076-0024-00	1	1	1	1	1	1	1	1	1	1	1	1	1	1
109	Rail-Mounting	导轨	074-1544-01	1	1	1	1	1	1	1	1	1	1	1	1	1	1
110	Controller-Unit with SW	CoreSense控制器	543-0225-00							1	1	1	1	1	1	1	1
	Controller-Unit with SW	CoreSense控制器	543-0225-03	1	1	1	1	1	1								
111	Cover-Terminal	端子盖板	005-1366-00	1	1	1	1	1	1	1	1	1	1	1	1	1	1
112	Block Terminal	连接端子	080-0121-00	2	2	2	2	2	2	2	2	2	2	2	2	2	2
113	Circuit-Breaker	断路器	071-0671-05	1	1	1	1	1	1	1	1	1	1	1	1		
114	Circuit-Breaker	断路器	071-0671-04													1	1
115	Hotkey	程序存储器	085-0276-00	1	1	1	1	1	1	1	1	1	1	1	1	1	1

Remarks: 4xx: with Door BOM (401/451), 5xx: without Door BOM (501/551)

Copeland™ Scroll ZX Condensing Unit

Spare Parts List



Bill of materials

Item	Part Name	中文名	P/N	ZX Units																						Remarks				
				ZX020B0/E				ZX030B0/E				ZX040B0/E				ZX050B0/E				ZX060B0/E				ZX075B0/E				ZX076B0/E		
				TFD		TF5	TF7	TFD		TF5	TF7	TFD		TF5	TF7	TFD		TF5	TF7	TFD		TF5	TF7	TFD			TF5	TF7		
				4XX	5XX	4XX	4XX	4XX	5XX	4XX	4XX	4XX	5XX	4XX	4XX	4XX	5XX	4XX	4XX	4XX	5XX	4XX	4XX	4XX	5XX		4XX	4XX		
1	Receiver	单风机储液器	077-0033-00	1	1	1	1	1	1	1	1	1	1													481 & 581				
	Receiver (w/ Pressure Relieve Valve)	单风机储液器	077-0052-00	1	1			1	1				1	1																
2	Receiver	单风机储液器	077-0032-00										1	1	1	1	1	1	1	1	1	1	1	1	1	481 & 581				
	Receiver (w/ Pressure Relieve Valve)	单风机储液器	077-0052-01											1	1				1	1			1	1			1	1		
3	Bracket-Fan Motor	单风机马达支架	074-1425-00	1	1	1	1	1	1			1	1	1																
4	Bracket-Fan Motor	单风机马达支架	074-1424-00										1	1	1	1	1	1	1	1	1	1	1	1	1					
5	Motor-Fan	风扇电机	050-0308-01	1	1			1	1			1	1					2	2			2	2		2	2				
6	Motor-Fan	风扇电机	050-0316-01			1	1			1	1			2	2			2	2			2	2		2	2				
7	Blade-Fan	扇叶	083-6931-00	1	1	1	1	1	1	1	1	1	1	2	2	2	2	2	2	2	2	2	2	2	2	2				
8	Plate-Front Left	单风机左前钣金挡板	005-7215-00	1	1	1	1	1	1	1	1	1	1																	
9	Plate-Front Left	单风机左前钣金挡板	005-7214-00											1	1	1	1	1	1	1	1	1	1	1	1					
10	Cover-Handle	把手	005-7193-00	2	3	2	2	2	3	2	2	2	3	2	2	2	2	3	2	2	2	3	2	2	2	3				
11	Guard-Fan	风扇网罩	024-0264-00	1	1	1	1	1	1	1	1	1	1	2	2	2	2	2	2	2	2	2	2	2	2	2				
12	Cover-Panel Front Right	单风机右前钣金挡板	005-1868-00		1				1				1																	
13	Cover-Panel Front Right	单风机右前钣金挡板	005-1869-00												1				1				1			1				
14	Lock-Door	门锁	032-0818-00	1		1	1	1		1	1	1		2	2	2		2	2	2		2	2	2						
15	Hinge-Door	门铰链	032-0819-00	2		2	2	2		2	2	2		2	2	2		2	2	2		2	2	2						
16	Spacer-Door	门支撑塞	027-0488-00	2		2	2	2		2	2	2		3	3	2		3	3	3		3	3	3						
17	Cover-Door	单风机门	005-1648-00	1		1	1	1		1	1	1																		
18	Cover-Door	单风机门	005-1647-00											1	1	1		1	1	1		1	1	1						
19	Gasket-Door	门密封条	020-1634-01	1		1	1	1		1	1	1																		
20	Gasket-Door	门密封条	020-1634-00											1	1	1		1	1	1		1	1	1						
21	Insulator-Sound Door	消音棉	064-0605-00	1		1	1	1		1	1	1																		
22	Insulator-Sound Door	消音棉	064-0604-00											1	1	1		1	1	1		1	1	1						
23	Bracket-Door	门框	074-1423-00	1		1	1	1		1	1	1																		
24	Bracket-Door	门框	074-1422-00											1	1	1		1	1	1		1	1	1						

Remarks: 4xx: with Door BOM (401/451/481)
5xx: without Door BOM (501/551/581)

Item	Part Name	中文名	P/N	ZX Units																								Remarks		
				ZX020B0/E				ZX030B0/E				ZX040B0/E				ZX050B0/E				ZX060B0/E				ZX075B0/E					ZX076B0/E	
				TFD		TF5	TF7	TFD		TF5	TF7	TFD		TF5	TF7	TFD		TF5	TF7	TFD		TF5	TF7	TFD		TF5	TF7		TFD	
				4XX	5XX	4XX	4XX	4XX	5XX	4XX	4XX	4XX	5XX	4XX	4XX	4XX	5XX	4XX	4XX	4XX	5XX	4XX	4XX	4XX	5XX	4XX	4XX		4XX	4XX
31	Control-Adjustable LP	可调低压控制器	085-0205-00	1	1	1	1	1	1	1	1	1	1	1	1	1	1	1	1	1	1	1	1	1	1	1				
32	Bracket-LP Controller	可调低压控制器支架	074-1384-00	1	1	1	1	1	1	1	1	1	1	1	1	1	1	1	1	1	1	1	1	1	1	1				
33	Base-Plate	底板	022-0644-00	1	1	1	1	1	1	1	1	1	1	1	1	1	1	1	1	1	1	1	1	1	1	1				
34	Weld Compressor	压缩机	ZX15KC(E)-TFD-558	1	1																									
35	Weld Compressor	压缩机	ZX15KC(E)-TF5-558			1																								
36	Weld Compressor	压缩机	ZX15KC(E)-TF7-558				1																							
37	Weld Compressor	压缩机	ZX21KC(E)-TFD-558					1	1																					
38	Weld Compressor	压缩机	ZX21KC(E)-TF5-558						1																					
39	Weld Compressor	压缩机	ZX21KC(E)-TF7-558							1																				
40	Weld Compressor	压缩机	ZX30KC(E)-TFD-558							1	1																			
41	Weld Compressor	压缩机	ZX29KC(E)-TF5-558									1																		
42	Weld Compressor	压缩机	ZX29KC(E)-TF7-558										1																	
43	Weld Compressor	压缩机	ZX38KC(E)-TFD-558											1	1															
44	Weld Compressor	压缩机	ZX38KC(E)-TF5-558													1														
45	Weld Compressor	压缩机	ZX38KC(E)-TF7-558														1													
46	Weld Compressor	压缩机	ZX45KC(E)-TFD-558														1	1												
47	Weld Compressor	压缩机	ZX45KC(E)-TF5-558																1											
48	Weld Compressor	压缩机	ZX45KC(E)-TF7-558																	1										
49	Weld Compressor	压缩机	ZX51KC(E)-TFD-558																		1	1			1	1				
50	Weld Compressor	压缩机	ZX51KC(E)-TF5-558																			1								
51	Weld Compressor	压缩机	ZX51KC(E)-TF7-558																				1							
59	Coil-EXV	电子膨胀阀线圈	023-0105-00	1	1	1	1	1	1	1	1	1	1	1	1	1	1	1	1	1	1	1	1	1	1	1				
60	Valve-EXV	电子膨胀阀阀体	010-0104-00	1	1	1	1	1	1	1	1	1	1	1	1	1	1	1	1	1	1	1	1	1	1	1				
61	Clip-EXV	电子膨胀阀固定夹	032-0852-00	1	1	1	1	1	1	1	1	1	1	1	1	1	1	1	1	1	1	1	1	1	1	1				
62	Bracket-EXV	电子膨胀阀支架	074-1207-00	1	1	1	1	1	1	1	1	1	1	1	1	1	1	1	1	1	1	1	1	1	1	1				
63	Clamp-Drier	干燥过滤器固定夹	032-0754-00	1	1	1	1	1	1	1	1	1	1	1	1	1	1	1	1	1	1	1	1	1	1	1				
64	Valve-service	维修截止阀	010-7009-01	1	1	1	1	1	1	1	1	1	1	1	1	1	1	1	1	1	1	1	1	1	1	1				
66	Drier-Liquid Line	干燥过滤器	013-7014-00	1	1	1	1	1	1	1	1	1	1	1	1	1	1	1	1	1	1	1	1	1	1	1				
67	Sight-Glass Liquid Line	视液镜	070-6904-00	1	1	1	1	1	1	1	1	1	1	1	1	1	1	1	1	1	1	1	1	1	1	1				
68	Capacitor	风机电容	014-0079-00	1	1	1	1	1	1	1	1	2	2	2	2	2	2	2	2	2	2	2	2	2	2	2				
69	Clamp-Capacitor (Fan-motor)	风机电容固定夹	032-0743-00	1	1	1	1	1	1	1	1	2	2	2	2	2	2	2	2	2	2	2	2	2	2	2				
70	Bracket-Cover Right	右侧板挂钩	074-1507-00	1	1	1	1	1	1	1	1	1	1	1	1	1	1	1	1	1	1	1	1	1	1	1				

Remarks: 4xx: with Door BOM (401/451/481)
5xx: without Door BOM (501/551/581)

Item	Part Name	中文名	P/N	ZX Units																								Remarks		
				ZX020B0/E				ZX030B0/E				ZX040B0/E				ZX050B0/E				ZX060B0/E				ZX075B0/E					ZX076B0/E	
				TFD		TF5	TF7	TFD		TF5	TF7	TFD		TF5	TF7	TFD		TF5	TF7	TFD		TF5	TF7	TFD		TF5	TF7		TFD	
				4XX	5XX	4XX	4XX	4XX	5XX	4XX	4XX	4XX	5XX	4XX	4XX	4XX	5XX	4XX	4XX	4XX	5XX	4XX	4XX	4XX	5XX	4XX	4XX		4XX	4XX
71	Cover-Right	单风机右侧板	005-1331-00	1	1	1	1	1	1	1	1	1	1																	
72	Cover-Right	单风机右侧板	005-1712-00									1	1	1	1	1	1	1	1	1	1	1	1	1	1	1	1			
73	Valve-Plate	维修截止阀底板	003-1220-00	1	1	1	1	1	1	1	1	1	1	1	1	1	1	1	1	1	1	1	1	1	1	1	1			
74	Valve-Service 1/2"	1/2维修截止阀	010-0107-00	1	1	1	1	1	1	1	1	1	1	1	1	1	1	1	1	1	1	1	1	1	1	1	1			
75	Valve-Service 3/4"	3/4维修截止阀	010-7009-00	1	1	1	1	1	1	1	1																			
76	Valve-Service 7/8"	7/8维修截止阀	010-7008-00									1	1	1	1	1	1	1	1	1	1	1	1	1	1	1	1			
77	Condenser	冷凝器	066-0545-00	1	1																									
78	Condenser	冷凝器	066-0548-00			1	1	1	1																					
79	Condenser	冷凝器	066-0547-00							1	1	1	1																	
80	Condenser	冷凝器	066-0546-00									1	1	1	1			1	1											
81	Condenser	冷凝器	066-0544-00													1	1					1	1							
82	Condenser	冷凝器	066-0549-00																1	1			1	1	1	1				
83	Cover-Handle with Hole	带孔把手	005-7193-01	1	1	1	1	1	1	1	1	1	1	1	1	1	1	1	1	1	1	1	1	1	1	1	1			
84	Cover-Sensor	环境温度传感器保护罩	005-1280-00	1	1	1	1	1	1	1	1	1	1	1	1	1	1	1	1	1	1	1	1	1	1	1	1			
85	Guard-Cond Coil	单风机冷凝器网罩	024-0263-00	1	1	1	1	1	1	1	1	1																		
86	Guard-Cond Coil	单风机冷凝器网罩	024-0262-00									1	1	1	1	1	1	1	1	1	1	1	1	1	1	1	1			
87	Sensor-Coil	冷凝温度传感器	043-0199-00	1	1	1	1	1	1	1	1	1	1	1	1	1	1	1	1	1	1	1	1	1	1	1	1			
88	Sensor-Ambient	环境温度传感器	043-0198-00	1	1	1	1	1	1	1	1	1	1	1	1	1	1	1	1	1	1	1	1	1	1	1	1			
89	Bracket-Stabilizer Top	冷凝器固定支架	074-1205-05	1	1	1	1	1																						
	Bracket-Stabilizer Top	冷凝器固定支架	074-1205-03						1	1	1	1																		
90	Bracket-Stabilizer Top	冷凝器固定支架	074-1205-04									1	1	1	1			1	1											
	Bracket-Stabilizer Top	冷凝器固定支架	074-1205-02													1	1		1	1	1	1	1	1	1	1	1			
91	Cover-Top	顶部盖子	005-1719-00	1	1	1	1	1	1	1	1	1	1	1	1	1	1	1	1	1	1	1	1	1	1	1	1			
92	Plate-Divider	单风机中隔板	003-1487-00	1	1	1	1	1	1	1	1																			
93	Plate-Divider	单风机中隔板	003-1576-00									1	1	1	1	1	1	1	1	1	1	1	1	1	1	1	1			
94	Bracket-O/S	油分支架	074-1342-00	1	1			1	1			1	1					1	1			1	1			1	1			
97	Tank-Oil Separator	油分	077-0044-00	1	1			1	1			1	1					1	1			1	1			1	1			
98	Valve-Check	止回阀	010-7003-01	1	1			1	1			1	1					1	1			1	1			1	1			
99	Control-High Pressure	高压开关	085-0267-02	1	1			1	1			1	1					1	1			1	1			1	1			

Remarks: 4xx: with Door BOM (401/451/481)
5xx: without Door BOM (501/551/581)

Item	Part Name	中文名	P/N	ZX Units																				Remarks						
				ZX020B0/E				ZX030B0/E				ZX040B0/E				ZX050B0/E				ZX060B0/E					ZX075B0/E				ZX076B0/E	
				TFD		TF5	TF7	TFD		TF5	TF7	TFD		TF5	TF7	TFD		TF5	TF7	TFD		TF5	TF7		TFD		TF5	TF7	TFD	
				4XX	5XX	4XX	4XX	4XX	5XX	4XX	4XX	4XX	5XX	4XX	4XX	4XX	5XX	4XX	4XX	4XX	5XX	4XX	4XX		4XX	5XX	4XX	4XX	4XX	4XX
100	Control-High Pressure	高压开关	085-0267-03			1	1			1	1			1	1			1	1			1	1							
101	Control-Low Pressure	低压开关	085-0268-01	1	1	1	1	1	1	1	1			1	1															
102	Control-Low Pressure	低压开关	085-0268-00									1	1			1	1	1	1	1	1	1	1	1	1	1				
103	Thermistor-Discharge	排气温度传感器	043-0200-00	1	1	1	1	1	1	1	1																			
104	Thermistor-Discharge	排气温度传感器	043-0200-01									1	1	1	1	1	1	1	1	1	1	1	1	1	1	1				
105	Heater-Crankcase	压缩机加热带	018-0112-01	1	1	1	1	1	1	1	1			1	1															
106	Heater-Crankcase	压缩机加热带	018-0112-00									1	1			1	1	1	1	1	1	1	1	1	1	1				
108	Sound-Cap-Comp Bottom	压缩机底部消音棉	005-1593-00	1	1	1	1	1	1	1	1	1	1	1	1	1	1	1	1	1	1	1	1	1	1	1				
110	Sound Cover-Comp Side	压缩机侧面消音棉	005-1857-00	1	1	1	1																							
111	Sound Cover-Comp Side	压缩机侧面消音棉	005-1857-01					1	1	1	1																			
112	Sound Cover-Comp Side	压缩机侧面消音棉	005-1857-02									1	1																	
113	Sound Cover-Comp Side	压缩机侧面消音棉	005-1864-02									1	1			1	1	1	1	1	1	1	1	1	1	1				
114	Sound Cap-Comp Top	压缩机顶部消音棉	005-1853-00									1	1			1	1	1	1	1	1	1	1	1	1	1				
115	Sound Cap-Comp Top	压缩机顶部消音棉	005-1853-01	1	1	1	1	1	1	1	1			1	1															
117	Sound Cover-T Box Side	压缩机接线盒消音棉	005-1659-00	1	1	1	1	1	1	1	1			1	1															
118	Sound Cover-T Box Side	压缩机接线盒消音棉	005-1595-00									1	1			1	1	1	1	1	1	1	1	1	1	1				
119	Sound Cap-T BOX	压缩机接线盒顶部消音棉	005-1658-00	1	1	1	1	1	1	1	1			1	1															
120	Sound Cap-T BOX	压缩机接线盒顶部消音棉	005-1596-00									1	1			1	1	1	1	1	1	1	1	1	1	1				
125	Contactora	接触器	012-0248-01	1	1	1	1	1	1	1	1																			
126	Contactora	接触器	012-0248-00						1					1	1	1		1	1	1		1	1	1	1	1				
127	Contactora	接触器	012-0248-03									1																		
128	Contactora	接触器	012-0248-04													1				1				1						
129	Connector-Jumper	端子跨接器	021-0273-00	1	1	1	1	1	1	1	1	1	1	1	1	1	1	1	1	1	1	1	1	1	1	1				

Remarks: 4xx: with Door BOM (401/451/481)
5xx: without Door BOM (501/551/581)

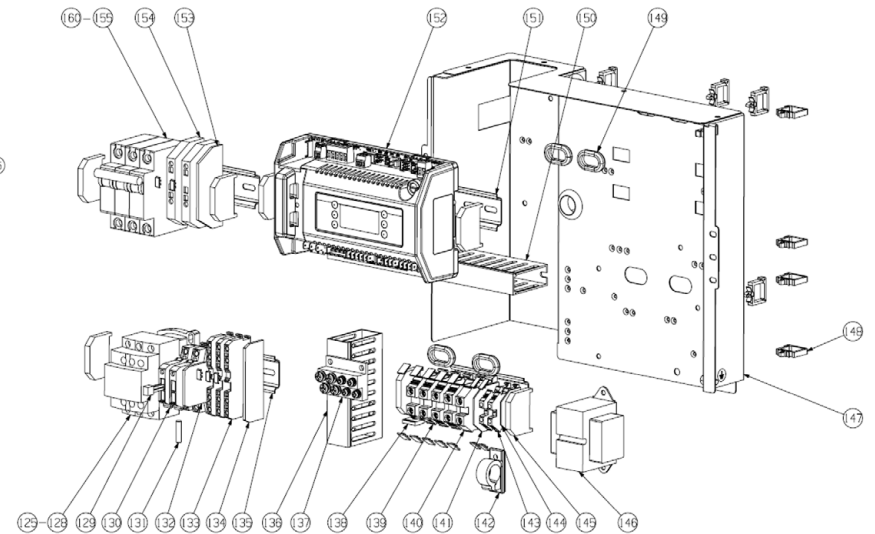
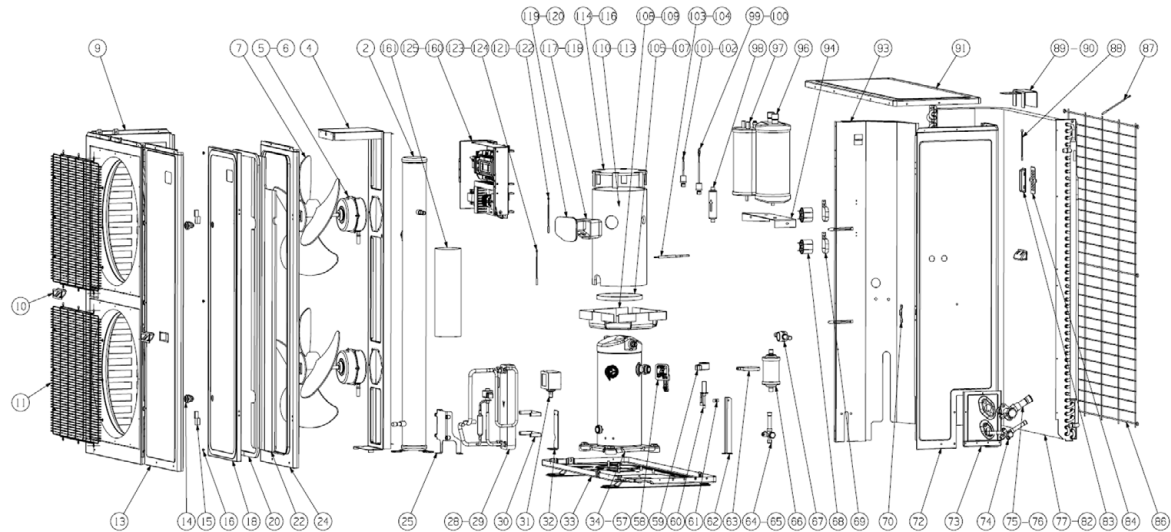
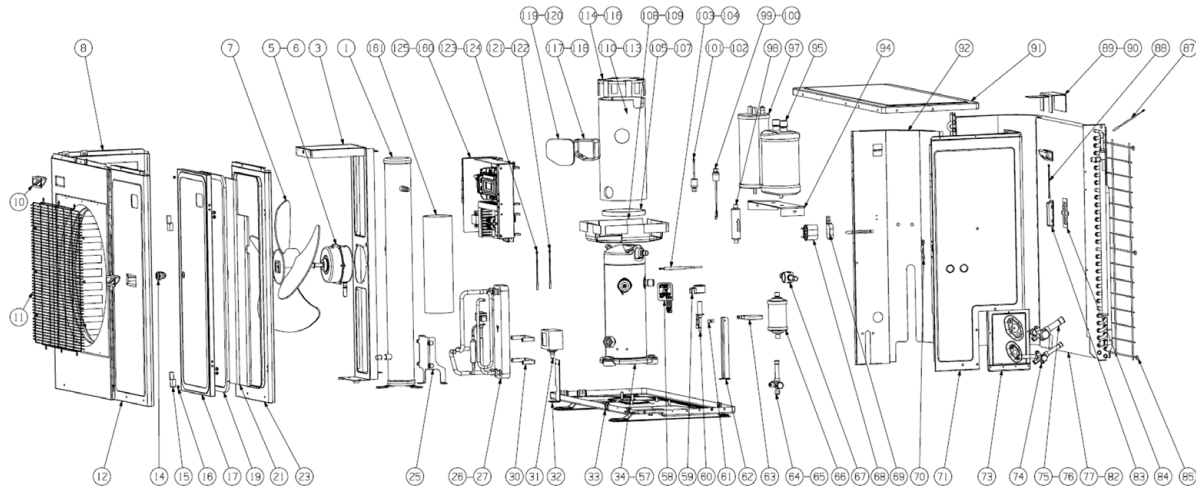
Item	Part Name	中文名	P/N	ZX Units																								Remarks		
				ZX020B0/E				ZX030B0/E				ZX040B0/E				ZX050B0/E				ZX060B0/E				ZX075B0/E					ZX076B0/E	
				TFD		TF5	TF7	TFD		TF5	TF7	TFD		TF5	TF7	TFD		TF5	TF7	TFD		TF5	TF7	TFD		TF5	TF7		TFD	
				4XX	5XX	4XX	4XX	4XX	5XX	4XX	4XX	4XX	5XX	4XX	4XX	4XX	5XX	4XX	4XX	4XX	5XX	4XX	4XX	4XX	5XX	4XX	4XX		4XX	4XX
130	Connector-Fuse Holder	保险丝支架	521-0218-00	2	2	2	2	2	2	2	2	2	2	2	2	2	2	2	2	2	2	2	2	2	2	2				
131	Fuse	保险丝	071-0653-00	1	1	1	1	1	1	1	1	1	1	1	1	1	1	1	1	1	1	1	1	1	1	1				
132	Cover-Fuse	保险丝盖子	005-1281-00	1	1	1	1	1	1	1	1	1	1	1	1	1	1	1	1	1	1	1	1	1	1	1				
133	Block Terminal	连接端子	080-0146-00	3	3	3	3	3	3	3	3	3	3	3	3	3	3	3	3	3	3	3	3	3	3	3				
134	Cover-Terminal	端子盖板	005-1825-00	1	1	1	1	1	1	1	1	1	1	1	1	1	1	1	1	1	1	1	1	1	1	1				
135	Rail-Mounting	导轨	074-1544-00	3	3	3	3	3	3	3	3	3	3	3	3	3	3	3	3	3	3	3	3	3	3	3				
136	Duct-Wire 25x50	配线槽 25x50	076-0025-00	1	1	1	1	1	1	1	1	1	1	1	1	1	1	1	1	1	1	1	1	1	1	1				
137	Block-Ground	接地端子块	080-0144-00	1	1	1	1	1	1	1	1	1	1	1	1	1	1	1	1	1	1	1	1	1	1	1				
138	Connector-Jumper	端子跨接器	021-0466-00			1			1			1			1			1			1			1						
139	Block Terminal	连接端子	080-0145-00	4	4	4	4	4	4	4	4	4	4	4	4	4	4	4	4	4	4	4	4	4	4	4				
140	Block-Terminal Ground	接地端子	080-0145-01	1	1	1	1	1	1	1	1	1	1	1	1	1	1	1	1	1	1	1	1	1	1	1				
141	Cover-Terminal PE	端子盖板	005-1824-00	1	1	1	1	1	1	1	1	1	1	1	1	1	1	1	1	1	1	1	1	1	1	1				
142	Clamp-Wire Harness	配线固定夹	032-0704-02	1	1	1	1	1	1	1	1	1	1	1	1	1	1	1	1	1	1	1	1	1	1	1				
143	Block Terminal	连接端子	080-0145-02	2	2	2	2	2	2	2	2	2	2	2	2	2	2	2	2	2	2	2	2	2	2	2				
144	Cover-Terminal	端子盖板	005-1824-01	1	1	1	1	1	1	1	1	1	1	1	1	1	1	1	1	1	1	1	1	1	1	1				
145	Block Fixing	端子固定挡板	080-0108-00	7	7	7	7	7	7	7	7	7	7	7	7	7	7	7	7	7	7	7	7	7	7	7				
146	Transformer-Control	控制器变压器	037-0040-00	1	1	1	1	1	1	1	1	1	1	1	1	1	1	1	1	1	1	1	1	1	1	1				
147	Electronic Cover Assm	电控箱	505-1307-00	1	1	1	1	1	1	1	1	1	1	1	1	1	1	1	1	1	1	1	1	1	1	1				
148	Clamp-Wire	电线护线夹	032-0839-00	13	13	13	13	13	13	13	13	13	13	13	13	13	13	13	13	13	13	13	13	13	13	13				
149	Cover-Electric Outlet	护线环	005-1423-00	7	7	7	7	7	7	7	7	7	7	7	7	7	7	7	7	7	7	7	7	7	7	7				
150	Duct-Wire 20x50	配线槽 20x50	076-0024-00	1	1	1	1	1	1	1	1	1	1	1	1	1	1	1	1	1	1	1	1	1	1	1				
151	Rail-Mounting	导轨	074-1544-01	1	1	1	1	1	1	1	1	1	1	1	1	1	1	1	1	1	1	1	1	1	1	1				
152	Controller-Unit with SW	CoreSense控制器	543-0225-00	1	1	1	1	1	1	1	1	1	1	1	1	1	1	1	1	1	1	1	1	1	1	1				
	Controller-Unit with SW	CoreSense控制器	543-0225-01	1	1			1	1			1	1			1	1			1	1			1	1	481 & 581				
153	Cover-Terminal	端子盖板	005-1366-00	1	1	1	1	1	1	1	1	1	1	1	1	1	1	1	1	1	1	1	1	1	1	1				
154	Block Terminal	连接端子	080-0121-00	2	2	2	2	2	2	2	2	2	2	2	2	2	2	2	2	2	2	2	2	2	2	2				
155	Circuit-Breaker	断路器	071-0671-01	1	1		1	1	1																					
156	Circuit-Breaker	断路器	071-0671-02			1			1																					
157	Circuit-Breaker	断路器	071-0671-05							1	1		1	1	1		1	1	1		1	1	1		1	1				

Item	Part Name	中文名	P/N	ZX Units																								Remarks		
				ZX020B0/E				ZX030B0/E				ZX040B0/E				ZX050B0/E				ZX060B0/E				ZX075B0/E					ZX076B0/E	
				TFD		TF5	TF7	TFD		TF5	TF7	TFD		TF5	TF7	TFD		TF5	TF7	TFD		TF5	TF7	TFD		TF5	TF7		TFD	
				4XX	5XX	4XX	4XX	4XX	5XX	4XX	4XX	4XX	5XX	4XX	4XX	4XX	5XX	4XX	4XX	4XX	5XX	4XX	4XX	4XX	5XX	4XX	5XX		4XX	5XX
158	Circuit-Breaker	断路器	071-0671-03																											
159	Circuit-Breaker	断路器	071-0671-04																											
160	Circuit-Breaker	断路器	071-0671-06																											
161	Heater-Receiver	储液器加热带	018-0100-00	1	1			1	1			1	1			1	1			1	1			1	1			1	1	481 & 581
162	Hotkey	程序存储器	085-0276-00	1	1	1	1	1	1	1	1	1	1	1	1	1	1	1	1	1	1	1	1	1	1	1	1	1	1	

Remarks: 4xx: with Door BOM (401/451/481)
5xx: without Door BOM (501/551/581)

Copeland™ Scroll ZXL Condensing Unit

Spare Parts List



Bill of materials

Item	Part Name	中文名	P/N	ZXL Units																								Remarks								
				ZXL020B0/E				ZXL025B0/E				ZXL030B0/E				ZXL035B0/E				ZXL040B0/E				ZXL050B0/E					ZXL060B0/E				ZXL075B0/E			
				TFD	TF5	TF7		TFD	TF5	TF7		TFD	TF5	TF7		TFD	TF5	TF7		TFD	TF5	TF7		TFD	TF5	TF7			TFD	TF5	TF7		TFD	TF5	TF7	
				4XX	5XX	4XX	4XX	4XX	5XX	4XX	4XX	4XX	5XX	4XX	4XX	4XX	5XX	4XX	4XX	4XX	5XX	4XX	4XX	4XX	5XX	4XX	4XX		4XX	5XX	4XX	4XX	4XX	5XX	4XX	4XX
1	Receiver	单风机储液器	077-0033-00	1	1	1	1	1	1	1	1	1	1	1	1	1	1	1	1	1	1	1	1	1	1	1	1	1	1	1	1					
2	Receiver	单风机储液器	077-0032-00																	1	1	1	1	1	1	1	1	1	1	1	1					
3	Bracket-Fan Motor	单风机马达 支架	074-1425-00																	1	1	1	1	1	1	1	1	1	1	1	1					
4	Bracket-Fan Motor	单风机马达 支架	074-1424-00	1	1	1	1	1	1	1	1	1	1	1	1	1	1	1	1	1	1	1	1	1	1	1	1	1	1	1	1					
5	Motor-Fan	风扇电机	050-0308-01	1	1			1	1			1	1			1	1					2	2			2	2			2	2					
6	Motor-Fan	风扇电机	050-0316-01			1	1		1	1			1	1			1	1		2	2			2	2			2	2							
7	Blade-Fan	扇叶	083-6931-00	1	1	1	1	1	1	1	1	1	1	1	1	1	1	1	1	1	2	2	2	2	2	2	2	2	2	2	2					
8	Plate-Front Left	单风机左前钣金 挡板	005-7215-00	1	1	1	1	1	1	1	1	1	1	1	1	1	1	1	1	1																
9	Plate-Front Left	单风机左前钣金 挡板	005-7214-00																	1	1	1	1	1	1	1	1	1	1	1	1					
10	Cover-Handle	把手	005-7193-00	2	3	2	2	2	3	2	2	2	3	2	2	2	3	2	2	3	2	2	2	3	2	2	2	3	2	2	2					
11	Guard-Fan	风扇网罩	024-0264-00	1	1	1	1	1	1	1	1	1	1	1	1	1	1	1	1	1	2	2	2	2	2	2	2	2	2	2	2					
12	Cover-Panel Front Right	单风机右前钣金 挡板	005-1868-00		1				1				1				1																			
13	Cover-Panel Front Right	单风机右前钣金 挡板	005-1869-00																			1				1			1							
14	Lock-Door	门锁	032-0818-00	1		1	1	1	1	1		1	1	1		1	1	1		2	2	2		2	2	2		2	2	2						
15	Hinge-Door	门铰链	032-0819-00	2		2	2	2	2	2		2	2	2		2	2	2		2	2	2		2	2	2		2	2	2						
16	Spacer-Door	门支撑塞	027-0488-00	2		2	2	2	2	2		2	2	2		2	2	2		3	3	3		3	3	3		3	3	3						
17	Cover-Door	单风机门	005-1648-00	1		1	1	1	1	1		1	1	1		1	1	1																		
18	Cover-Door	单风机门	005-1647-00																	1	1	1		1	1	1		1	1	1						
19	Gasket-Door	门密封条	020-1634-01	1		1	1	1	1	1		1	1	1		1	1	1																		
20	Gasket-Door	门密封条	020-1634-00																	1	1	1		1	1	1		1	1	1						
21	Insulator-Sound Door	消音棉	064-0605-00	1		1	1	1	1	1		1	1	1		1	1	1																		
22	Insulator-Sound Door	消音棉	064-0604-00																	1	1	1		1	1	1		1	1	1						
23	Bracket-Door	门框	074-1423-00	1		1	1	1	1	1		1	1	1		1	1	1																		
24	Bracket-Door	门框	074-1422-00																	1	1	1		1	1	1		1	1	1						
25	Bracket-PHE Fixing	板换固定支架	074-1216-00	1	1	1	1	1	1	1	1	1	1	1	1	1	1	1	1	1	1	1	1	1	1	1	1	1	1	1	1					
26	PHE Assembly	板换组件	528-2347-00	1	1	1	1	1	1	1	1	1	1	1																						
27	PHE Assembly	板换组件	528-2347-01													1	1	1	1	1	1	1	1													
28	PHE Assembly	板换组件	528-2347-02																	1	1	1	1	1	1	1	1									

Remarks: 4xx: with Door BOM (401/451/481)
5xx: without Door BOM (501/551/581)

Item	Part Name	中文名	P/N	ZXL Units																												Remarks																		
				ZXL020B0/E				ZXL025B0/E				ZXL030B0/E				ZXL035B0/E				ZXL040B0/E				ZXL050B0/E				ZXL060B0/E					ZXL075B0/E																	
				TFD		TF5		TF7		TFD		TF5		TF7		TFD		TF5		TF7		TFD		TF5		TF7		TFD		TF5			TF7		TFD		TF5		TF7											
				4XX	5XX	4XX	4XX	4XX	5XX	4XX	4XX	4XX	5XX	4XX	4XX	4XX	5XX	4XX	4XX	4XX	5XX	4XX	4XX	4XX	5XX	4XX	4XX	4XX	5XX	4XX	4XX		4XX	5XX	4XX	4XX	4XX	5XX	4XX	4XX										
29	PHE Assembly	板换组件	528-2347-03																															1	1	1	1	1	1	1	1									
30	Clamp-PHE Fixing	板换固定夹	032-0686-01	2	2	2	2	2	2	2	2	2	2	2	2	2	2	2	2	2	2	2	2	2	2	2	2	2	2	2	2	2	2	2	2	2	2	2	2	2	2	2								
31	Control-Adjustable LP	可调低压控制器	085-0205-00	1	1	1	1	1	1	1	1	1	1	1	1	1	1	1	1	1	1	1	1	1	1	1	1	1	1	1	1	1	1	1	1	1	1	1	1	1	1	1								
32	Bracket-LP Controller	可调低压控制器支架	074-1384-00	1	1	1	1	1	1	1	1	1	1	1	1	1	1	1	1	1	1	1	1	1	1	1	1	1	1	1	1	1	1	1	1	1	1	1	1	1	1	1	1							
33	Base-Plate	底板	022-0644-00	1	1	1	1	1	1	1	1	1	1	1	1	1	1	1	1	1	1	1	1	1	1	1	1	1	1	1	1	1	1	1	1	1	1	1	1	1	1	1	1							
34	Weld Compressor	压缩机	ZXI06KC(E)-TFD-687	1	1																																													
35	Weld Compressor	压缩机	ZXI06KC(E)-TF5-687			1																																												
36	Weld Compressor	压缩机	ZXI06KC(E)-TF7-687				1																																											
37	Weld Compressor	压缩机	ZXI08KC(E)-TFD-687					1	1																																									
38	Weld Compressor	压缩机	ZXI08KC(E)-TF5-687						1																																									
39	Weld Compressor	压缩机	ZXI08KC(E)-TF7-687							1																																								
40	Weld Compressor	压缩机	ZXI09KC(E)-TFD-687								1	1																																						
41	Weld Compressor	压缩机	ZXI09KC(E)-TF5-687										1																																					
42	Weld Compressor	压缩机	ZXI09KC(E)-TF7-687											1																																				
43	Weld Compressor	压缩机	ZXI11KC(E)-TFD-647												1	1																																		
44	Weld Compressor	压缩机	ZXI11KC(E)-TF5-647													1																																		
45	Weld Compressor	压缩机	ZXI11KC(E)-TF7-647														1																																	
46	Weld Compressor	压缩机	ZXI14KC(E)-TFD-647															1	1																															
47	Weld Compressor	压缩机	ZXI14KC(E)-TF5-647																	1																														
48	Weld Compressor	压缩机	ZXI14KC(E)-TF7-647																		1																													
49	Weld Compressor	压缩机	ZXI15KC(E)-TFD-647																			1	1																											
50	Weld Compressor	压缩机	ZXI15KC(E)-TF5-647																				1																											
51	Weld Compressor	压缩机	ZXI15KC(E)-TF7-647																					1																										
52	Weld Compressor	压缩机	ZXI18KC(E)-TFD-557																																															
53	Weld Compressor	压缩机	ZXI18KC(E)-TF5-557																																															
54	Weld Compressor	压缩机	ZXI18KC(E)-TF7-557																																															
55	Weld Compressor	压缩机	ZXI21KC(E)-TFD-557																																															
56	Weld Compressor	压缩机	ZXI21KC(E)-TF5-557																																															
57	Weld Compressor	压缩机	ZXI21KC(E)-TF7-557																																															
58	Power Cable-Molded Plug	压缩机电源线	529-0060-04	1	1	1	1	1	1	1	1	1	1	1	1	1	1	1	1	1	1	1	1	1	1	1	1	1	1	1	1	1	1	1	1	1	1	1	1	1	1	1	1	1	1	1				
59	Coil-EXV	电子膨胀阀线圈	023-0105-01	1	1	1	1	1	1	1	1	1	1	1	1	1	1	1	1	1	1	1	1	1	1	1	1	1	1	1	1	1	1	1	1	1	1	1	1	1	1	1	1	1	1	1	1			
60	Valve-EXV	电子膨胀阀阀体	010-0104-00	1	1	1	1	1	1	1	1	1	1	1	1	1	1	1	1	1	1	1	1	1	1	1	1	1	1	1	1	1	1	1	1	1	1	1	1	1	1	1	1	1	1	1	1	1		

Remarks: 4xx: with Door BOM (401/451/481)
5xx: without Door BOM (501/551/581)

Item	Part Name	中文名	P/N	ZXL Units																												Remarks				
				ZXL020B0/E				ZXL025B0/E				ZXL030B0/E				ZXL035B0/E				ZXL040B0/E				ZXL050B0/E				ZXL060B0/E					ZXL075B0/E			
				TFD	TF5	TF7		TFD	TF5	TF7		TFD	TF5	TF7		TFD	TF5	TF7		TFD	TF5	TF7		TFD	TF5	TF7		TFD	TF5	TF7			TFD	TF5	TF7	
				4XX	5XX	4XX	4XX	4XX	5XX	4XX	4XX	4XX	5XX	4XX	4XX	4XX	5XX	4XX	4XX	4XX	5XX	4XX	4XX	4XX	5XX	4XX	4XX	4XX	5XX	4XX	4XX		4XX	5XX	4XX	4XX
89	Bracket-Stabilizer Top	冷凝器固定支架	074-1205-05	1	1	1	1	1	1	1	1	1	1	1	1																					
	Bracket-Stabilizer Top	冷凝器固定支架	074-1205-03												1	1	1	1	1	1																
90	Bracket-Stabilizer Top	冷凝器固定支架	074-1205-04																	1	1	1	1	1	1	1	1	1	1	1						
	Bracket-Stabilizer Top	冷凝器固定支架	074-1205-02																												1	1	1	1		
91	Cover-Top	顶部盖子	005-1719-00	1	1	1	1	1	1	1	1	1	1	1	1	1	1	1	1	1	1	1	1	1	1	1	1	1	1	1	1	1	1			
92	Plate-Divider	单风机中隔板	003-1487-00	1	1	1	1	1	1	1	1	1	1	1	1	1	1	1	1																	
93	Plate-Divider	单风机中隔板	003-1576-00																	1	1	1	1	1	1	1	1	1	1	1	1	1	1			
94	Bracket-O/S	油分支架	074-1342-00	1	1	1	1	1	1	1	1	1	1	1	1	1	1	1	1	1	1	1	1	1	1	1	1	1	1	1	1	1	1			
95	Tank-Accumulator	气液分离器	077-0037-00	1	1	1	1	1	1	1	1	1	1	1	1	1	1	1	1																	
96	Tank-Accumulator	气液分离器	077-0036-00																	1	1	1	1	1	1	1	1	1	1	1	1	1	1			
97	Tank-Oil Separator	油分	077-0044-00	1	1	1	1	1	1	1	1	1	1	1	1	1	1	1	1	1	1	1	1	1	1	1	1	1	1	1	1	1	1			
98	Valve-Check	止回阀	010-7003-01	1	1	1	1	1	1	1	1	1	1	1	1	1	1	1	1	1	1	1	1	1	1	1	1	1	1	1	1	1	1			
99	Control-High Pressure	高压开关	085-0267-02	1	1	1	1	1	1	1	1	1	1	1	1	1	1	1	1	1	1	1	1	1	1	1	1	1	1	1	1	1	1			
103	Thermistor-Discharge	排气温度传感器	043-0200-00	1	1	1	1	1	1	1	1	1	1	1	1	1	1	1	1																	
104	Thermistor-Discharge	排气温度传感器	043-0200-01																	1	1	1	1	1	1	1	1	1	1	1	1	1	1			
105	Heater-Crankcase	压缩机加热带	018-0112-02	1	1	1	1	1	1	1	1	1	1	1																						
	Heater-Crankcase	压缩机加热带	018-0094-05			1			1			1																					471			
106	Heater-Crankcase	压缩机加热带	018-0112-01											1	1	1	1	1	1	1	1	1	1	1	1											
	Heater-Crankcase	压缩机加热带	018-0095-04												1				1				1				1					1	471			
107	Heater-Crankcase	压缩机加热带	018-0112-00																							1	1	1	1	1	1	1	1			
108	Sound-Cap-Comp Bottom	压缩机底部消音棉	005-1859-00	1	1	1	1	1	1	1	1	1	1	1																						
109	Sound-Cap-Comp Bottom	压缩机底部消音棉	005-1593-00												1	1	1	1	1	1	1	1	1	1	1	1	1	1	1	1	1	1	1			
110	Sound Cover-Comp Side	压缩机侧面消音棉	005-1858-00	1	1	1	1	1	1	1	1	1	1	1																						
111	Sound Cover-Comp Side	压缩机侧面消音棉	005-1863-00												1	1	1	1	1	1	1	1	1	1	1	1										
112	Sound Cover-Comp Side	压缩机侧面消音棉	005-1564-02																							1	1	1	1	1	1	1	1			
114	Sound Cap-Comp Top	压缩机顶部消音棉	005-1567-00	1	1	1	1	1	1	1	1	1	1	1																						

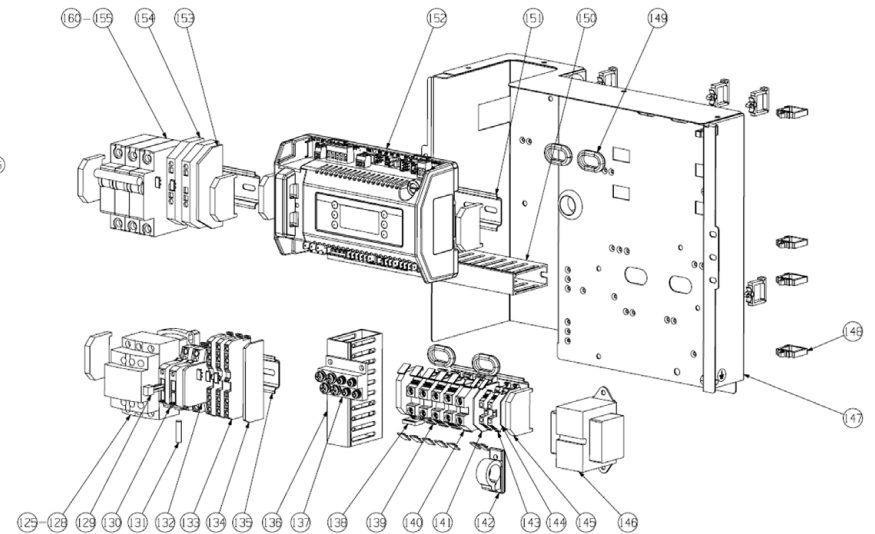
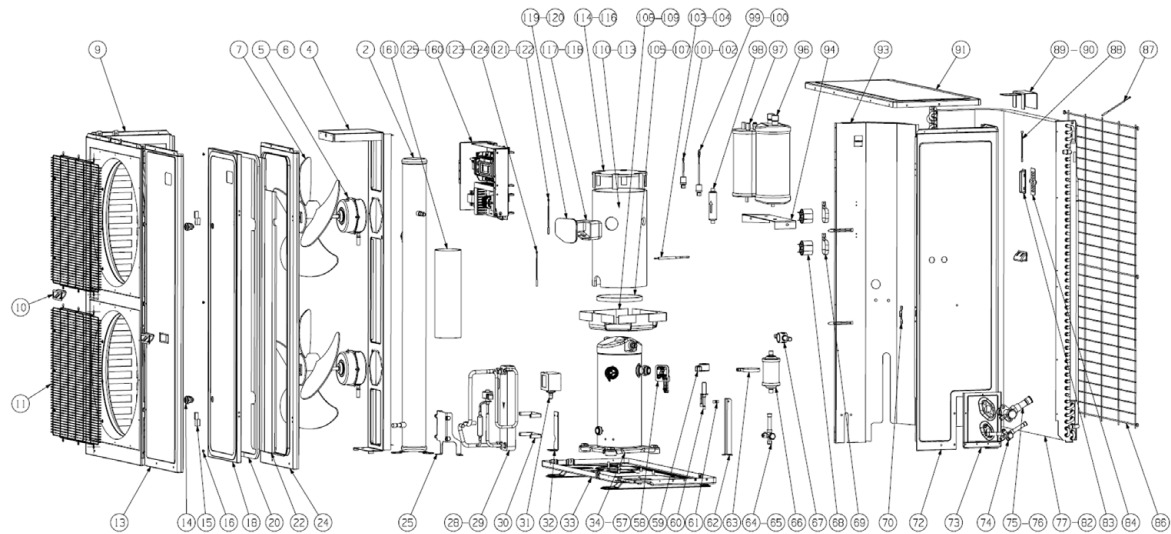
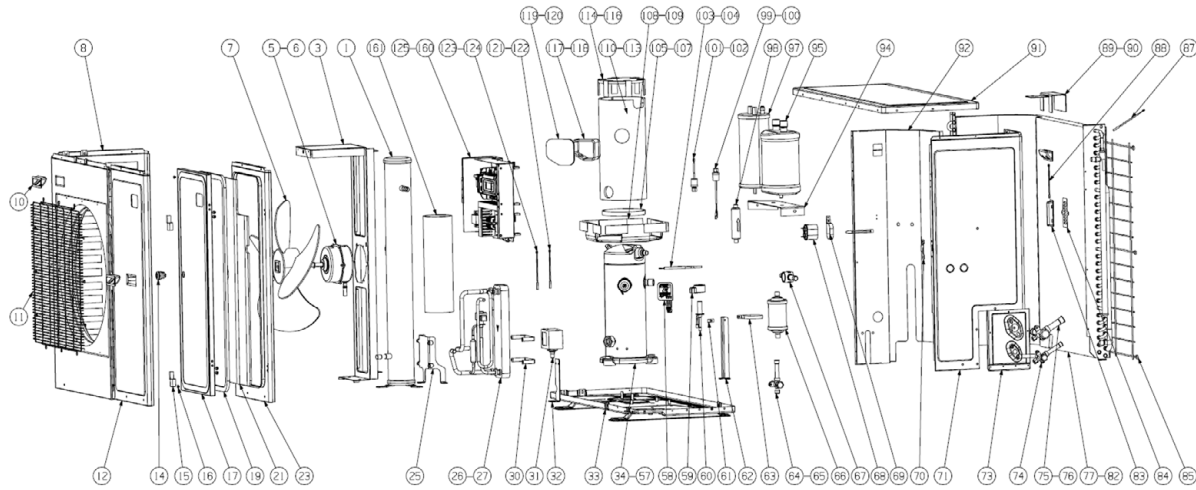
Remarks: 4xx: with Door BOM (401/451/481)
5xx: without Door BOM (501/551/581)

Item	Part Name	中文名	P/N	ZXL Units																												Remarks				
				ZXL020B0/E				ZXL025B0/E				ZXL030B0/E				ZXL035B0/E				ZXL040B0/E				ZXL050B0/E				ZXL060B0/E					ZXL075B0/E			
				TFD		TF5		TF7		TFD		TF5		TF7		TFD		TF5		TF7		TFD		TF5		TF7		TFD		TF5			TF7			
				4XX	5XX	4XX	4XX	4XX	5XX	4XX	4XX	4XX	5XX	4XX	4XX	4XX	5XX	4XX	4XX	4XX	5XX	4XX	4XX	4XX	5XX	4XX	4XX	4XX	5XX	4XX	4XX		4XX	5XX		
143	Block Terminal	连接端子	080-0145-02	2	2	2	2	2	2	2	2	2	2	2	2	2	2	2	2	2	2	2	2	2	2	2	2	2	2	2	2	2				
144	Cover-Terminal	端子盖板	005-1824-01	1	1	1	1	1	1	1	1	1	1	1	1	1	1	1	1	1	1	1	1	1	1	1	1	1	1	1	1	1				
145	Block Fixing	端子固定挡板	080-0108-00	7	7	7	7	7	7	7	7	7	7	7	7	7	7	7	7	7	7	7	7	7	7	7	7	7	7	7	7	7				
146	Transformer-Control	控制器变压器	037-0040-00	1	1	1	1	1	1	1	1	1	1	1	1	1	1	1	1	1	1	1	1	1	1	1	1	1	1	1	1					
	Transformer-Control	控制器变压器	037-0040-01			1				1				1				1				1				1				1		471				
147	Electronic Cover Assm	电控箱	505-1307-00	1	1	1	1	1	1	1	1	1	1	1	1	1	1	1	1	1	1	1	1	1	1	1	1	1	1	1	1	1				
148	Clamp-Wire	电线护线夹	032-0839-00	13	13	13	13	13	13	13	13	13	13	13	13	13	13	13	13	13	13	13	13	13	13	13	13	13	13	13	13	13				
149	Cover-Electric Outlet	护线环	005-1423-00	7	7	7	7	7	7	7	7	7	7	7	7	7	7	7	7	7	7	7	7	7	7	7	7	7	7	7	7	7				
150	Duct-Wire 20x50	配线槽 20x50	076-0024-00	1	1	1	1	1	1	1	1	1	1	1	1	1	1	1	1	1	1	1	1	1	1	1	1	1	1	1	1	1				
151	Rail-Mounting	导轨	074-1544-01	1	1	1	1	1	1	1	1	1	1	1	1	1	1	1	1	1	1	1	1	1	1	1	1	1	1	1	1	1				
152	Controller-Unit with SW	CoreSense控制器	543-0225-03	1	1	1	1	1	1	1	1	1	1	1	1	1	1	1	1	1	1	1	1	1	1	1	1	1	1	1	1	1				
153	Cover-Terminal	端子盖板	005-1366-00	1	1	1	1	1	1	1	1	1	1	1	1	1	1	1	1	1	1	1	1	1	1	1	1	1	1	1	1	1	1			
154	Block Terminal	连接端子	080-0121-00	2	2	2	2	2	2	2	2	2	2	2	2	2	2	2	2	2	2	2	2	2	2	2	2	2	2	2	2	2	2			
155	Circuit-Breaker	断路器	071-0671-01	1	1		1	1	1		1	1	1		1	1	1																			
156	Circuit-Breaker	断路器	071-0671-02			1			1																											
157	Circuit-Breaker	断路器	071-0671-05																1	1	1	1	1	1	1	1	1	1	1	1	1	1				
158	Circuit-Breaker	断路器	071-0671-04									1				1																				
162	Hotkey	程序存储器	085-0276-00	1	1	1	1	1	1	1	1	1	1	1	1	1	1	1	1	1	1	1	1	1	1	1	1	1	1	1	1	1	1			

Remarks: 4xx: with Door BOM (401/451/481)
5xx: without Door BOM (501/551/581)

Copeland™ Scroll ZXB Condensing Unit

Spare Parts List



Bill of materials

Item	Part Name	中文名	P/N	ZXB UNITS							
				ZXB015BE	ZXB020BE	ZXB025BE	ZXB030BE	ZXB035BE	ZXB040BE	ZXB050BE	ZXB060BE
				TFD	TFD	TFD	TFD	TFD	TFD	TFD	TFD
				4XX	4XX	4XX	4XX	4XX	4XX	4XX	4XX
1	Receiver	单风机储液器	077-0033-00	1	1	1	1	1			
2	Receiver	单风机储液器	077-0032-00						1	1	1
3	Bracket-Fan Motor	单风机马达支架	074-1425-00						1	1	1
4	Bracket-Fan Motor	单风机马达支架	074-1424-00	1	1	1	1	1			
5	Motor-Fan	风扇电机	050-0308-01	1	1	1	1	1	2	2	2
6	Motor-Fan	风扇电机	050-0316-01								
7	Blade-Fan	扇叶	083-6931-00	1	1	1	1	1	2	2	2
8	Plate-Front Left	单风机左前钣金挡板	005-7215-00	1	1	1	1	1			
9	Plate-Front Left	单风机左前钣金挡板	005-7214-00						1	1	1
10	Cover-Handle	把手	005-7193-00	2	2	2	2	2	2	2	2
11	Guard-Fan	风扇网罩	024-0264-00	1	1	1	1	1	2	2	2
12	Cover-Panel Front Right	单风机右前钣金挡板	005-1868-00								
13	Cover-Panel Front Right	单风机右前钣金挡板	005-1869-00								
14	Lock-Door	门锁	032-0818-00	1	1	1	1	1	2	2	2
15	Hinge-Door	门铰链	032-0819-00	2	2	2	2	2	2	2	2
16	Spacer-Door	门支撑塞	027-0488-00	2	2	2	2	2	3	3	3
17	Cover-Door	单风机门	005-1648-00	1	1	1	1	1			
18	Cover-Door	单风机门	005-1647-00						1	1	1
19	Gasket-Door	门密封条	020-1634-01	1	1	1	1	1			
20	Gasket-Door	门密封条	020-1634-00						1	1	1
21	Insulator-Sound Door	消音棉	064-0605-00	1	1	1	1	1			
22	Insulator-Sound Door	消音棉	064-0604-00						1	1	1
23	Bracket-Door	门框	074-1423-00	1	1	1	1	1			
24	Bracket-Door	门框	074-1422-00						1	1	1
25	Bracket-PHE Fixing	板换固定支架	074-1216-00	1	1	1	1	1	1	1	1
26	PHE Assembly	板换组件	528-2347-00	1	1	1					
27	PHE Assembly	板换组件	528-2347-01				1	1			
28	PHE Assembly	板换组件	528-2347-02						1		
29	PHE Assembly	板换组件	528-2347-03							1	1
30	Clamp-PHE Fixing	板换固定夹	032-0686-01	2	2	2	2	2	2	2	2
31	Control-Adjustable LP	可调低压控制器	085-0205-00	1	1	1	1	1	1	1	1
32	Bracket-LP Controller	可调低压控制器支架	074-1384-00	1	1	1	1	1	1	1	1
33	Base-Plate	底板	022-0644-00	1	1	1	1	1	1	1	1
34	Weld Compressor	压缩机	ZXI06KC(E)-TFD-687	1							
35	Weld Compressor	压缩机	ZXI08KC(E)-TFD-687		1						

Remarks: 4xx: with Door BOM (401/451/481)
5xx: without Door BOM (501/551/581)

Item	Part Name	中文名	P/N	ZXB UNITS								
				ZXB015BE	ZXB020BE	ZXB025BE	ZXB030BE	ZXB035BE	ZXB040BE	ZXB050BE	ZXB060BE	
				TFD	TFD	TFD	TFD	TFD	TFD	TFD	TFD	
				4XX	4XX	4XX	4XX	4XX	4XX	4XX	4XX	
36	Weld Compressor	压缩机	ZXI09KC(E)-TFD-687			1						
37	Weld Compressor	压缩机	ZXI11KC(E)-TFD-647				1					
38	Weld Compressor	压缩机	ZXI14KC(E)-TFD-647					1				
39	Weld Compressor	压缩机	ZXI15KC(E)-TFD-647						1			
40	Weld Compressor	压缩机	ZXI18KC(E)-TFD-557							1		
41	Weld Compressor	压缩机	ZXI21KC(E)-TFD-557									1
58	Power Cable- Molded Plug	压缩机电源线	529-0060-04	1	1	1	1	1	1	1	1	1
59	Coil-EXV	电子膨胀阀线圈	023-0105-01	1	1	1	1	1	1	1	1	1
60	Valve-EXV	电子膨胀阀阀体	010-0104-00	1	1	1	1	1	1	1	1	1
63	Clamp-Drier	干燥过滤器固定夹	032-0754-00	1	1	1	1	1	1	1	1	1
65	Valve-service	维修截止阀	010-7009-02	1	1	1	1	1	1	1	1	1
66	Drier-Liquid Line	干燥过滤器	013-7014-00	1	1	1	1	1	1	1	1	1
67	Sight-Glass Liquid Line	视镜	070-6904-00	1	1	1	1	1	1	1	1	1
68	Capacitor	风机电容	014-0079-00	1	1	1	1	1	2	2	2	2
69	Clamp-Capacitor (Fan-motor)	风机电容固定夹	032-0743-00	1	1	1	1	1	2	2	2	2
70	Bracket-Cover Right	右侧板挂钩	074-1507-00	1	1	1	1	1	1	1	1	1
71	Cover-Right	单风机右侧板	005-1331-00	1	1	1	1	1				
72	Cover-Right	单风机右侧板	005-1712-00						1	1	1	1
73	Valve-Plate	维修截止阀底板	003-1220-00	1	1	1	1	1	1	1	1	1
74	Valve-Service 1/2"	1/2维修截止阀	010-0107-00	1	1	1	1	1	1	1	1	1
75	Valve-Service 3/4"	3/4维修截止阀	010-7008-00				1	1	1	1	1	1
76	Valve-Service 7/8"	7/8维修截止阀	010-7009-00	1	1	1						
77	Condenser	冷凝器	066-0545-00	1								
78	Condenser	冷凝器	066-0548-00		1	1						
79	Condenser	冷凝器	066-0547-00				1	1				
80	Condenser	冷凝器	066-0546-00						1	1		
81	Condenser	冷凝器	066-0544-00									1
83	Cover-Handle with Hole	带孔把手	005-7193-01	1	1	1	1	1	1	1	1	1
84	Cover-Sensor	环境温度传感器保护罩	005-1280-00	1	1	1	1	1	1	1	1	1
85	Guard-Cond Coil	单风机冷凝器网罩	024-0263-00	1	1	1	1	1				
86	Guard-Cond Coil	单风机冷凝器网罩	024-0262-00						1	1	1	1
87	Sensor-Coil	冷凝温度传感器	043-0199-00	1	1	1	1	1	1	1	1	1
88	Sensor-Ambient	环境温度传感器	043-0198-00	1	1	1	1	1	1	1	1	1
89	Bracket-Stabilizer Top	冷凝器固定支架	074-1205-05	1	1	1						
	Bracket-Stabilizer Top	冷凝器固定支架	074-1205-03				1	1				
90	Bracket-Stabilizer Top	冷凝器固定支架	074-1205-04						1	1		
	Bracket-Stabilizer Top	冷凝器固定支架	074-1205-02									1

Remarks: 4xx: with Door BOM (401/451/481)
5xx: without Door BOM (501/551/581)

Item	Part Name	中文名	P/N	ZXB UNITS							
				ZXB015BE	ZXB020BE	ZXB025BE	ZXB030BE	ZXB035BE	ZXB040BE	ZXB050BE	ZXB060BE
				TFD	TFD	TFD	TFD	TFD	TFD	TFD	TFD
				4XX	4XX	4XX	4XX	4XX	4XX	4XX	4XX
91	Cover-Top	顶部盖子	005-1719-00	1	1	1	1	1	1	1	1
92	Plate-Divider	单风机中隔板	003-1487-00	1	1	1	1	1			
93	Plate-Divider	单风机中隔板	003-1576-00						1	1	1
94	Bracket-O/S	油分支架	074-1342-00	1	1	1	1	1	1	1	1
97	Tank-Oil Separator	油分	077-0044-00	1	1	1	1	1	1	1	1
98	Valve-Check	止回阀	010-7003-01	1	1	1	1	1	1	1	1
99	Control-High Pressure	高压开关	085-0267-05	1	1	1	1	1	1	1	1
103	Thermistor-Discharge	排气温度传感器	043-0200-00	1	1	1	1	1			
104	Thermistor-Discharge	排气温度传感器	043-0200-01						1	1	1
105	Heater-Crankcase	压缩机加热带	018-0112-02	1	1	1					
106	Heater-Crankcase	压缩机加热带	018-0112-01				1	1	1		
107	Heater-Crankcase	压缩机加热带	018-0112-00							1	1
108	Sound-Cap-Comp Bottom	压缩机底部消音棉	005-1859-00	1	1	1					
109	Sound-Cap-Comp Bottom	压缩机底部消音棉	005-1593-00				1	1	1	1	1
110	Sound Cover-Comp Side	压缩机侧面消音棉	005-1858-00	1	1	1					
111	Sound Cover-Comp Side	压缩机侧面消音棉	005-1863-00				1	1	1		
112	Sound Cover-Comp Side	压缩机侧面消音棉	005-1852-00							1	1
114	Sound Cap-Comp Top	压缩机顶部消音棉	005-1853-02	1	1	1					
115	Sound Cap-Comp Top	压缩机顶部消音棉	005-1853-01				1	1	1		
116	Sound Cap-Comp Top	压缩机顶部消音棉	005-1853-00							1	1
117	Sound Cover-T Box Side	压缩机接线盒消音棉	005-1860-00	1	1	1	1	1	1		
118	Sound Cover-T Box Side	压缩机接线盒消音棉	005-1595-00							1	1
119	Sound Cap-T BOX	压缩机接线盒顶部消音棉	005-1861-00	1	1	1	1	1	1		
120	Sound Cap-T BOX	压缩机接线盒顶部消音棉	005-1596-00							1	1
121	Sensor-Vapor Out	板换出口温度传感器	043-0201-00	1	1	1	1	1			
122	Sensor-Vapor Out	板换出口温度传感器	043-0201-01						1	1	1
123	Sensor-Vapor In	板换进口温度传感器	043-0202-00	1	1	1	1	1			
124	Sensor-Vapor In	板换进口温度传感器	043-0202-01						1	1	1
125	Contactator	接触器	012-0248-01	1	1	1	1	1			
126	Contactator	接触器	012-0248-00						1	1	1
129	Connector-Jumper	端子跨接器	021-0273-00	1	1	1	1	1	1	1	1
130	Connector-Fuse Holder	保险丝支架	521-0218-00	2	2	2	2	2	2	2	2
131	Fuse	保险丝	071-0653-00	1	1	1	1	1	1	1	1
132	Cover-Fuse	保险丝盖子	005-1281-00	1	1	1	1	1	1	1	1
133	Block Terminal	连接端子	080-0146-00	3	3	3	3	3	3	3	3
134	Cover-Terminal	端子盖板	005-1825-00	1	1	1	1	1	1	1	1
135	Rail-Mounting	导轨	074-1544-00	3	3	3	3	3	3	3	3

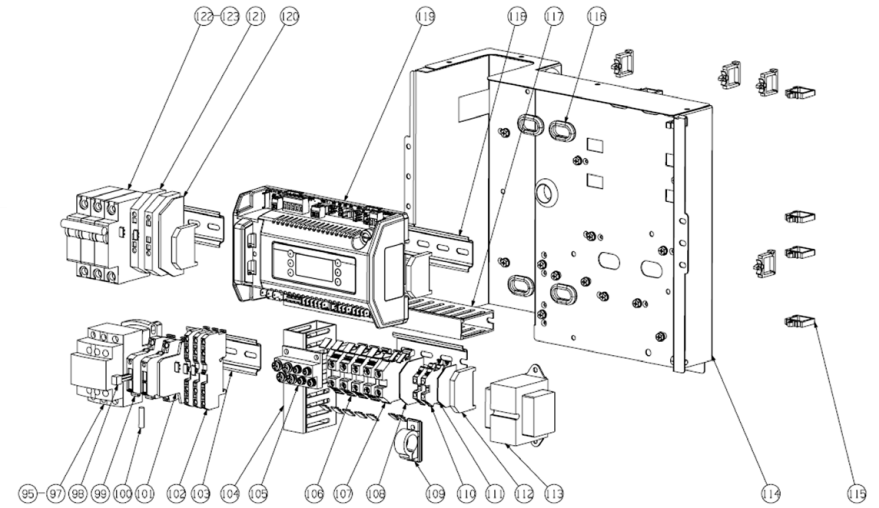
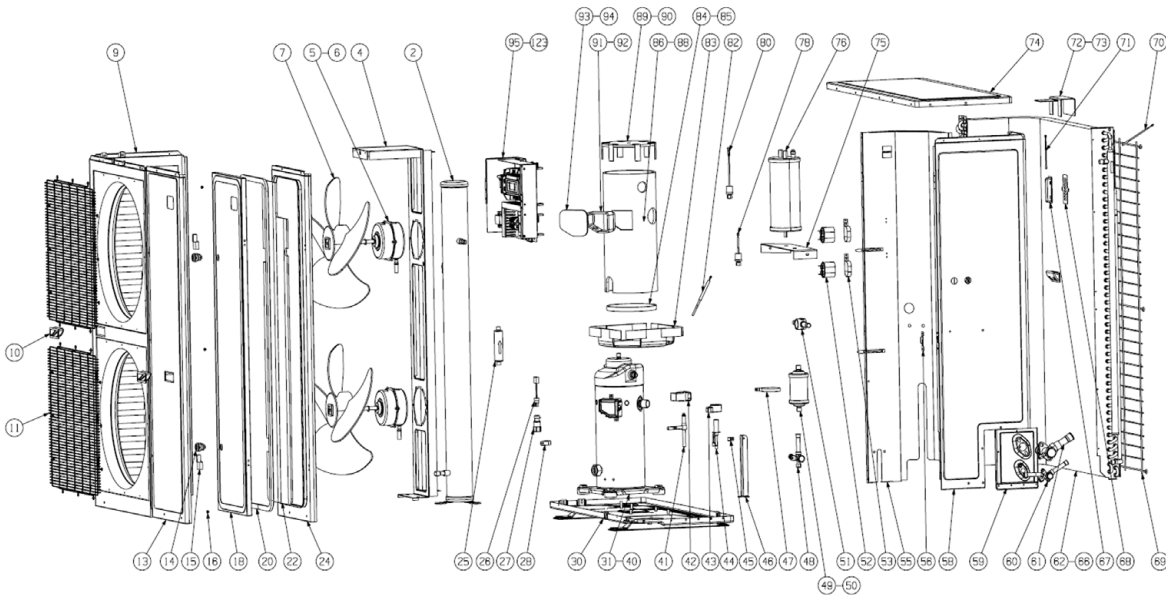
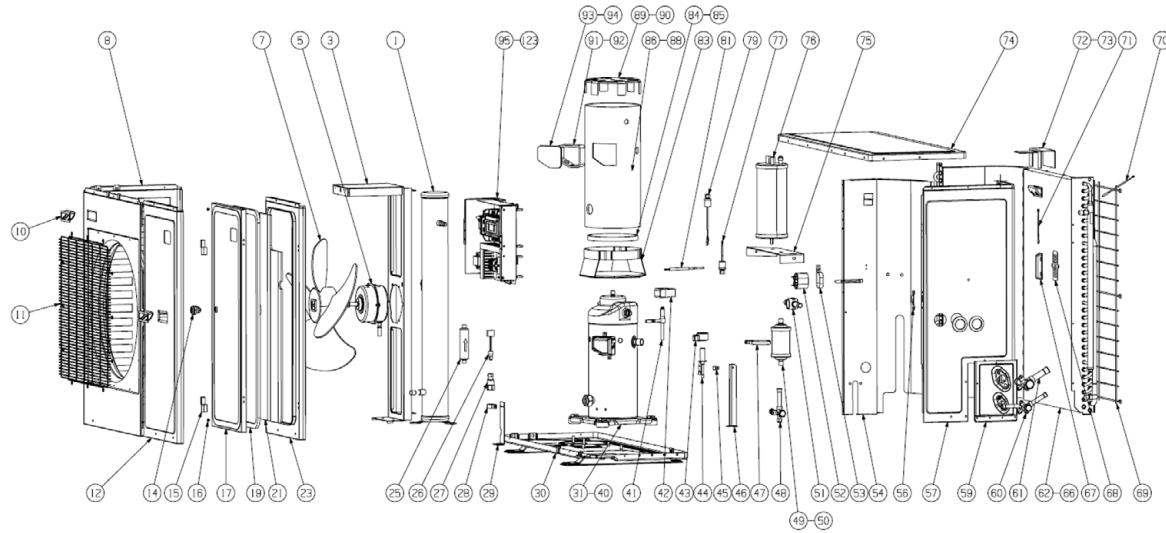
Remarks: 4xx: with Door BOM (401/451/481)
5xx: without Door BOM (501/551/581)

Item	Part Name	中文名	P/N	ZXB UNITS							
				ZXB015BE	ZXB020BE	ZXB025BE	ZXB030BE	ZXB035BE	ZXB040BE	ZXB050BE	ZXB060BE
				TFD	TFD	TFD	TFD	TFD	TFD	TFD	TFD
				4XX	4XX	4XX	4XX	4XX	4XX	4XX	4XX
136	Duct-Wire 25x50	配线槽 25x50	076-0025-00	1	1	1	1	1	1	1	1
137	Block-Ground	接地端子块	080-0144-00	1	1	1	1	1	1	1	1
139	Block Terminal	连接端子	080-0145-00	4	4	4	4	4	4	4	4
140	Block-Terminal Ground	接地端子	080-0145-01	1	1	1	1	1	1	1	1
141	Cover-Terminal PE	端子盖板	005-1824-00	1	1	1	1	1	1	1	1
142	Clamp-Wire Harness	配线固定夹	032-0704-02	1	1	1	1	1	1	1	1
143	Block Terminal	连接端子	080-0145-02	2	2	2	2	2	2	2	2
144	Cover-Terminal	端子盖板	005-1824-01	1	1	1	1	1	1	1	1
145	Block Fixing	端子固定挡板	080-0108-00	7	7	7	7	7	7	7	7
146	Transformer-Control	控制器变压器	037-0040-00	1	1	1	1	1	1	1	1
147	Electronic Cover Assm	电控箱	505-1307-00	1	1	1	1	1	1	1	1
148	Clamp-Wire	电线护线夹	032-0839-00	13	13	13	13	13	13	13	13
149	Cover-Electric Outlet	护线环	005-1423-00	7	7	7	7	7	7	7	7
150	Duct-Wire 20x50	配线槽 20x50	076-0024-00	1	1	1	1	1	1	1	1
151	Rail-Mounting	导轨	074-1544-01	1	1	1	1	1	1	1	1
152	Controller-Unit with SW	CoreSense控制器	543-0225-02	1	1	1	1	1	1	1	1
153	Cover-Terminal	端子盖板	005-1366-00	1	1	1	1	1	1	1	1
154	Block Terminal	连接端子	080-0121-00	2	2	2	2	2	2	2	2
155	Circuit-Breaker	断路器	071-0671-01	1	1	1	1				
156	Circuit-Breaker	断路器	071-0671-05					1	1	1	1
162	Hotkey	程序存储器	085-0276-00	1	1	1	1	1	1	1	1

Remarks: 4xx: with Door BOM (401/451/481)
5xx: without Door BOM (501/551/581)

Copeland™ Scroll ZXD-TFD-TF7 Condensing Unit

Spare Parts List



Bill of materials

Item	Part Name	中文名	P/N	ZXD Units																																
				ZXD03080	ZXD0308E	ZXD03080	ZXD0308E	ZXD03080	ZXD0308E	ZXD03080	ZXD0308E	ZXD04080/E	ZXD04080	ZXD0408E	ZXD04080	ZXD0408E	ZXD05080/E	ZXD05080	ZXD0508E	ZXD05080	ZXD0508E	ZXD06080/E	ZXD06080	ZXD0608E	ZXD06080	ZXD0608E	ZXD07580/E	ZXD07580	ZXD0758E	ZXD07580	ZXD0758E	ZXD07680/E				
				TFD		TF7		TFD		TF7		TFD		TF7		TFD		TF7		TFD		TF7		TFD		TF7		TFD		TF7		TFD				
				4XX	5XX	4XX	5XX	4XX	5XX	4XX	5XX	4XX	5XX	4XX	5XX	4XX	5XX	4XX	5XX	4XX	5XX	4XX	5XX	4XX	5XX	4XX	5XX	4XX	5XX	4XX	5XX	4XX	5XX			
1	Receiver	单风机储液器	077-0033-00	1	1	1	1	1	1	1																										
2	Receiver	单风机储液器	077-0032-00							1	1	1	1	1	1	1	1	1	1	1	1	1	1	1	1	1	1	1	1	1	1	1	1			
3	Bracket-Fan Motor Mtg	单风机马达支架	074-1424-00	1	1	1	1	1	1																											
4	Bracket-Fan Motor Mtg	单风机马达支架	074-1425-00							1	1	1	1	1	1	1	1	1	1	1	1	1	1	1	1	1	1	1	1	1	1	1	1			
5	Motor-Fan	风扇电机	050-0316-01					1	1	1	1				2	2	2	2			2	2	2	2			2	2	2	2						
6	Motor-Fan	风扇电机	050-0308-01	1	1	1	1			2	2									2	2					2	2						2	2		
7	Blade-Fan	扇叶	083-6931-00	1	1	1	1	1	1	1	1	1	1	1	1	1	1	1	1	1	1	1	1	1	1	1	1	1	1	1	1	1	1	1		
8	Cover-Front Left	单风机左前钣金挡板	005-7215-00	1	1	1	1	1	1	1	1																									
9	Cover-Front Left	单风机左前钣金挡板	005-7214-00							1	1	1	1	1	1	1	1	1	1	1	1	1	1	1	1	1	1	1	1	1	1	1	1	1		
10	Cover-Handle	把手	005-7193-00	2	2	3	3	2	2	3	3	2	3	2	3	2	2	3	3	2	3	2	2	3	3	2	3	2	2	3	3	2	3	2		
11	Guard-Fan	风扇网罩	024-0264-00	1	1	1	1	1	1	1	1	2	2	2	2	2	2	2	2	2	2	2	2	2	2	2	2	2	2	2	2	2	2	2		
12	Cover-Panel Front Right	单风机右前钣金挡板	005-1868-00			1	1			1	1																									
13	Cover-Panel Front Right	单风机右前钣金挡板	005-1869-00							1				1	1		1					1	1		1				1			1	1	1		
14	Lock-Door	门锁	032-0818-00	1	1			1	1			2	2	2			2	2	2		2	2	2			2	2	2					2			
15	Hinge-Door	门铰链	032-0819-00	2	2			2	2			2	2	2			2	2	2		2	2	2			2	2	2					2			
16	Spacer-Door	门支撑塞	027-0488-00	2	2			2	2			3	3	3			3	3	3		3	3	3			3	3	3					3			
17	Cover-Door	单风机门	005-1648-00	1	1			1	1																											
18	Cover-Door	单风机门	005-1647-00							1	1	1				1	1	1							1	1	1						1			
19	Gasket-Door	门密封条	020-1634-01	1	1			1	1																											
20	Gasket-Door	门密封条	020-1634-00							1	1	1				1	1	1							1	1	1						1			
21	Insulator-Sound Door	消音棉	064-0605-00	1	1			1	1																											
22	Insulator-Sound Door	消音棉	064-0604-00							1	1					1	1								1	1								1		
23	Bracket-Door	门框	074-1423-00	1	1			1	1																											
24	Bracket-Door	门框	074-1422-00	1	1			1	1																										1	

Remarks: 4xx: with Door BOM (451)
5xx: without Door BOM (591)

Item	Part Name	中文名	P/N	ZXD Units																													
				ZXD030B0	ZXD030BE	ZXD030B0	ZXD030BE	ZXD030B0	ZXD030BE	ZXD030B0	ZXD030BE	ZXD040B0/E	ZXD040B0	ZXD040BE	ZXD040B0	ZXD040BE	ZXD050B0/E	ZXD050B0	ZXD050BE	ZXD050B0	ZXD050BE	ZXD060B0/E	ZXD060B0	ZXD060BE	ZXD060B0	ZXD060BE	ZXD075B0/E	ZXD075B0	ZXD075BE	ZXD075B0	ZXD075BE	ZXD076B0/E	
				TFD		TF7		TFD		TF7		TFD		TF7		TFD		TF7		TFD		TF7		TFD		TF7		TFD		TF7		TFD	
				4XX	5XX	4XX	5XX	4XX	5XX	4XX	5XX	4XX	5XX	4XX	5XX	4XX	5XX	4XX	5XX	4XX	5XX	4XX	5XX	4XX	5XX	4XX	5XX	4XX	5XX	4XX	5XX	4XX	5XX
25	Valve-Check	止回阀	010-7003-01	1	1	1	1	1	1	1	1	1	1	1	1	1	1	1	1	1	1	1	1	1	1	1	1	1	1	1			
27	Transducer-Pressure	低压压力传感器	039-0057-01	1	1	1	1	1	1	1	1	1	1	1	1	1	1	1	1	1	1	1	1	1	1	1	1	1	1	1			
28	Clamp-Tube	压力传感器固定夹	032-0886-00	1	1	1	1	1	1	1	1	1	1	1	1	1	1	1	1	1	1	1	1	1	1	1	1	1	1	1			
29	Bracket-LP Controller	可调低压控制器支架	074-1586-00	1	1	1	1	1	1	1	1																						
30	Base-Plate	底板	022-0644-00	1	1	1	1	1	1	1	1	1	1	1	1	1	1	1	1	1	1	1	1	1	1	1	1	1	1	1			
31	Weld Comp	压缩机	ZBD29KQ(E)-TFD-558							1	1																						
32	Weld Comp	压缩机	ZBD38KQ(E)-TFD-558												1	1																	
33	Weld Comp	压缩机	ZBD45KQ(E)-TFD-558																		1	1											
34	Weld Comp	压缩机	ZBD48KQ(E)-TFD-558																								1	1			1	1	
35	Weld Comp	压缩机	ZBD21KQ(E)-TFD-558	1	1	1	1																										
36	Weld Comp	压缩机	ZBD29KQ(E)-TF7-558									1	1	1	1																		
37	Weld Comp	压缩机	ZBD38KQ(E)-TF7-558														1	1	1	1													
38	Weld Comp	压缩机	ZBD45KQ(E)-TF7-558																		1	1	1	1									
39	Weld Comp	压缩机	ZBD48KQ(E)-TF7-558																								1	1	1	1			
40	Weld Comp	压缩机	ZBD21KQ(E)-TF7-558					1	1	1	1																						
41	Valve Body	电磁阀阀体	010-0125-00	1	1	1	1	1	1	1	1	1	1	1	1	1	1	1	1	1	1	1	1	1	1	1	1	1	1	1	1		
42	Coil-Holding	电磁阀线圈	023-0088-00	1	1	1	1	1	1	1	1	1	1	1	1	1	1	1	1	1	1	1	1	1	1	1	1	1	1	1	1		
43	Coil-EXV	电子膨胀阀线圈	023-0105-00	1		1		1		1							1		1				1		1			1					
44	Valve-EXV	电子膨胀阀阀体	010-0104-00	1		1		1		1							1		1				1		1			1					
45	Clip-EXV	电子膨胀阀固定夹	032-0852-00	1		1		1		1							1		1				1		1			1					
46	Bracket-EXV	电子膨胀阀支架	074-1207-00	1		1		1		1							1		1				1		1			1					
47	Clamp-Drier	干燥过滤器固定夹	032-0754-00	1	1	1	1	1	1	1	1	1	1	1	1	1	1	1	1	1	1	1	1	1	1	1	1	1	1	1	1		
48	Valve-Service	维修截止阀	010-7009-01	1	1	1	1	1	1	1	1	1	1	1	1	1	1	1	1	1	1	1	1	1	1	1	1	1	1	1	1		
49	Drier-Liquid Line	干燥过滤器	013-7022-00					1	1	1	1						1	1	1	1			1	1	1	1			1	1	1		
50	Drier-Liquid Line	干燥过滤器	013-7014-00	1	1	1	1									1	1									1	1				1	1	

Remarks: 4xx: with Door BOM (451)
5xx: without Door BOM (591)

Item	Part Name	中文名	P/N	ZXD Units																													
				ZXD030B0	ZXD030BE	ZXD030B0	ZXD030BE	ZXD030B0	ZXD030BE	ZXD030B0	ZXD030BE	ZXD040B0/E	ZXD040B0	ZXD040BE	ZXD040B0	ZXD040BE	ZXD050B0/E	ZXD050B0	ZXD050BE	ZXD050B0	ZXD050BE	ZXD060B0/E	ZXD060B0	ZXD060BE	ZXD060B0	ZXD060BE	ZXD075B0/E	ZXD075B0	ZXD075BE	ZXD075B0	ZXD075BE	ZXD076B0/E	
				TFD		TF7		TFD		TF7		TFD		TF7		TFD		TF7		TFD		TF7		TFD		TF7		TFD		TF7		TFD	
				4XX	5XX	4XX	5XX	4XX	5XX	4XX	5XX	4XX	5XX	4XX	5XX	4XX	5XX	4XX	5XX	4XX	5XX	4XX	5XX	4XX	5XX	4XX	5XX	4XX	5XX	4XX	5XX	4XX	5XX
51	Sight Glass-Liquid Line	视液镜	070-6904-00	1	1	1	1	1	1	1	1	1	1	1	1	1	1	1	1	1	1	1	1	1	1	1	1	1	1	1			
52	Capacitor	风机电容	014-0079-00	1	1	1	1	1	1	1	1	2	2	2	2	2	2	2	2	2	2	2	2	2	2	2	2	2	2	2			
53	Clamp-Capacitor	风机电容固定夹	032-0743-00	1	1	1	1	1	1	1	1	2	2	2	2	2	2	2	2	2	2	2	2	2	2	2	2	2	2	2			
54	Plate-Divider	单风机中隔板	003-1487-00	1	1	1	1	1	1	1	1																						
55	Plate-Divider	单风机中隔板	003-1576-00									1	1	1	1	1	1	1	1	1	1	1	1	1	1	1	1	1	1	1			
56	Bracket-Cover Right	右侧板挂钩	074-1507-00	1	1	1	1	1	1	1	1	1	1	1	1	1	1	1	1	1	1	1	1	1	1	1	1	1	1	1			
57	Cover-Right	单风机右侧板	005-1331-02	1	1	1	1	1	1	1																							
58	Cover-Right	单风机右侧板	005-1712-01								1	1	1	1	1	1	1	1	1	1	1	1	1	1	1	1	1	1	1	1			
59	Valve-Plate	维修截止阀底板	003-1220-00	1	1	1	1	1	1	1	1	1	1	1	1	1	1	1	1	1	1	1	1	1	1	1	1	1	1	1			
60	1/2" Service Valve	1/2维修截止阀	010-0107-00								1	1	1	1	1	1	1	1	1	1	1	1	1	1	1	1	1	1	1	1			
61	Valve-Service 3/4"	3/4维修截止阀	010-7009-00	1	1	1	1	1	1	1																							
	Valve-Service 7/8"	7/8维修截止阀	010-7008-00								1	1	1	1	1	1	1	1	1	1	1	1	1	1	1	1	1	1	1	1			
62	Condenser	冷凝器	066-0547-00					1	1	1	1																						
63	Condenser	冷凝器	066-0548-00	1	1	1	1																										
64	Condenser	冷凝器	066-0549-00																			1	1	1	1			1	1	1			
65	Condenser	冷凝器	066-0544-00														1	1	1	1						1	1						
66	Condenser	冷凝器	066-0546-00								1	1	1	1	1	1	1					1	1										
67	Cover-Handle	把手	005-7193-01	1	1	1	1	1	1	1	1	1	1	1	1	1	1	1	1	1	1	1	1	1	1	1	1	1	1	1			
68	Cover-Sensor	环境温度传感器保护罩	005-1280-00	1	1	1	1	1	1	1	1	1	1	1	1	1	1	1	1	1	1	1	1	1	1	1	1	1	1	1			
69	Guard-Cond Coil	单风机冷凝器网罩	024-0263-00	1	1	1	1	1	1	1																							
	Guard-Cond Coil	单风机冷凝器网罩	024-0262-00								1	1	1	1	1	1	1	1	1	1	1	1	1	1	1	1	1	1	1	1			
70	Sensor-Coil	冷凝温度传感器	043-0199-00	1	1	1	1	1	1	1	1	1	1	1	1	1	1	1	1	1	1	1	1	1	1	1	1	1	1	1			
71	Sensor-Ambient	环境温度传感器	043-0198-00	1	1	1	1	1	1	1	1	1	1	1	1	1	1	1	1	1	1	1	1	1	1	1	1	1	1	1			

Remarks: 4xx: with Door BOM (451)
5xx: without Door BOM (591)

Item	Part Name	中文名	P/N	ZXD Units																													
				ZXD030B0	ZXD030BE	ZXD030B0	ZXD030BE	ZXD030B0	ZXD030BE	ZXD030B0	ZXD030BE	ZXD040B0/E	ZXD040B0	ZXD040BE	ZXD040B0	ZXD040BE	ZXD050B0/E	ZXD050B0	ZXD050BE	ZXD050B0	ZXD050BE	ZXD060B0/E	ZXD060B0	ZXD060BE	ZXD060B0	ZXD060BE	ZXD075B0/E	ZXD075B0	ZXD075BE	ZXD075B0	ZXD075BE	ZXD076B0/E	
				TFD		TF7		TFD		TF7		TFD		TF7		TFD		TF7		TFD		TF7		TFD		TF7		TFD		TF7		TFD	
				4XX	5XX	4XX	5XX	4XX	5XX	4XX	5XX	4XX	5XX	4XX	5XX	4XX	5XX	4XX	5XX	4XX	5XX	4XX	5XX	4XX	5XX	4XX	5XX	4XX	5XX	4XX	5XX	4XX	5XX
72	Bracket-Stabilizer Top	冷凝器固定支架	074-1205-05	1	1	1	1																										
	Bracket-Stabilizer Top	冷凝器固定支架	074-1205-03					1	1	1	1																						
73	Bracket-Stabilizer Top	冷凝器固定支架	074-1205-04							1	1	1	1	1	1	1				1	1												
	Bracket-Stabilizer Top	冷凝器固定支架	074-1205-02													1	1	1	1			1	1	1	1	1	1	1	1	1			
74	Cover-Top	顶部盖子	005-1719-00	1	1	1	1	1	1	1	1	1	1	1	1	1	1	1	1	1	1	1	1	1	1	1	1	1	1	1			
75	Bracket-O/S	油分支架	074-1342-00	1	1	1	1	1	1	1	1	1	1	1	1	1	1	1	1	1	1	1	1	1	1	1	1	1	1	1			
76	Tank - Oil Separator	油分	077-0044-00							1	1	1	1	1	1	1	1	1	1	1	1	1	1	1	1	1	1	1	1	1			
77	Control-Low Pressure	低压开关	085-0268-01	1	1	1	1	1	1																								
78	Control-Low Pressure	低压开关	085-0268-00							1	1	1	1	1	1	1	1	1	1	1	1	1	1	1	1	1	1	1	1	1			
79	Control-High Pressure	高压开关	085-0267-02	1	1	1	1	1	1																								
80	Control-High Pressure	高压开关	085-0267-00							1	1	1	1	1	1	1	1	1	1	1	1	1	1	1	1	1	1	1	1	1			
81	Themister Discharge	排气温度传感器	043-0200-00	1	1	1	1	1	1																								
82	Themister Discharge	排气温度传感器	043-0200-01							1	1	1	1	1	1	1	1	1	1	1	1	1	1	1	1	1	1	1	1	1			
83	Sound-Comp Bottom	压缩机底部消音棉	005-1593-00	1	1	1	1	1	1	1	1	1	1	1	1	1	1	1	1	1	1	1	1	1	1	1	1	1	1	1			
84	Heater-Crankcase	压缩机加热带	018-0112-00												1	1	1	1	1	1	1	1	1	1	1	1	1	1	1	1			
85	Heater-Crankcase	压缩机加热带	018-0112-01	1	1	1	1	1	1	1	1	1	1	1																			
86	Sound-Comp Side	压缩机侧面消音棉	005-1865-00	1	1	1	1	1	1																								
87	Sound-Comp Side	压缩机侧面消音棉	005-1594-00							1	1	1	1	1	1																		
88	Sound-Comp Side	压缩机侧面消音棉	005-1620-00												1	1	1	1	1	1	1	1	1	1	1	1	1	1	1	1			

Remarks: 4xx: with Door BOM (451)
5xx: without Door BOM (591)

Item	Part Name	中文名	P/N	ZXD Units																													
				ZXD030B0	ZXD030BE	ZXD030B0	ZXD030BE	ZXD030B0	ZXD030BE	ZXD030B0	ZXD030BE	ZXD040B0/E	ZXD040B0	ZXD040BE	ZXD040B0	ZXD040BE	ZXD050B0/E	ZXD050B0	ZXD050BE	ZXD050B0	ZXD050BE	ZXD060B0/E	ZXD060B0	ZXD060BE	ZXD060B0	ZXD060BE	ZXD075B0/E	ZXD075B0	ZXD075BE	ZXD075B0	ZXD075BE	ZXD076B0/E	
				TFD		TF7		TFD		TF7		TFD		TF7		TFD		TF7		TFD		TF7		TFD		TF7		TFD		TF7		TFD	
				4XX	5XX	4XX	5XX	4XX	5XX	4XX	5XX	4XX	5XX	4XX	5XX	4XX	5XX	4XX	5XX	4XX	5XX	4XX	5XX	4XX	5XX	4XX	5XX	4XX	5XX	4XX	5XX	4XX	5XX
89	Sound-Comp Cap	压缩机顶部消音棉	005-1592-01	1	1	1	1	1	1	1	1	1	1	1	1	1	1	1	1	1	1	1	1	1	1	1	1	1	1	1			
90	Sound-Comp Cap	压缩机顶部消音棉	005-1592-00												1	1	1	1	1	1	1	1	1	1	1	1	1	1	1	1			
91	Sound-T Box Side	压缩机接线盒消音棉	005-1659-00	1	1	1	1	1	1	1	1	1	1	1																			
92	Sound-T Box Side	压缩机接线盒消音棉	005-1595-00												1	1	1	1	1	1	1	1	1	1	1	1	1	1	1	1			
93	Sound-T Box Cover	压缩机接线盒顶部消音棉	005-1658-00	1	1	1	1	1	1	1	1	1	1	1																			
94	Sound-T Box Cover	压缩机接线盒顶部消音棉	005-1596-00												1	1	1	1	1	1	1	1	1	1	1	1	1	1	1	1			
95	Contactora	接触器	012-0248-01	1	1	1	1	1	1	1	1	1	1																				
96	Contactora	接触器	012-0248-02									1	1	1	1			1	1	1	1			1	1	1	1		1	1	1		
97	Contactora	接触器	012-0248-00							1	1				1	1					1	1				1	1			1	1		
98	Connector-Jumper	端子跨接器	021-0273-00	1	1	1	1	1	1	1	1	1	1	1	1	1	1	1	1	1	1	1	1	1	1	1	1	1	1	1	1		
99	Connector-Fuse Holder	保险丝支架	521-0218-00	2	2	2	2	2	2	2	2	2	2	2	2	2	2	2	2	2	2	2	2	2	2	2	2	2	2	2	2		
100	Fuse	保险丝	071-0653-00	2	2	2	2	2	2	2	2	2	2	2	2	2	2	2	2	2	2	2	2	2	2	2	2	2	2	2	2		
101	Cover-Fuse	保险丝盖子	005-1281-00	1	1	1	1	1	1	1	1	1	1	1	1	1	1	1	1	1	1	1	1	1	1	1	1	1	1	1	1		
102	Block-Terminal	连接端子	080-0146-00	3	3	3	3	3	3	3	3	3	3	3	3	3	3	3	3	3	3	3	3	3	3	3	3	3	3	3	3		
103	Rail-Mounting	导轨	074-1544-00	3	3	3	3	3	3	3	3	3	3	3	3	3	3	3	3	3	3	3	3	3	3	3	3	3	3	3	3		
104	Duct-Wire 25x50	配线槽 25x50	076-0025-00	1	1	1	1	1	1	1	1	1	1	1	1	1	1	1	1	1	1	1	1	1	1	1	1	1	1	1	1		
105	Block-Ground	接地端子块	080-0144-00	1	1	1	1	1	1	1	1	1	1	1	1	1	1	1	1	1	1	1	1	1	1	1	1	1	1	1	1		
106	Block-Terminal	连接端子	080-0145-00	4	4	4	4	4	4	4	4	4	4	4	4	4	4	4	4	4	4	4	4	4	4	4	4	4	4	4	4		
107	Block-Terminal Ground	接地端子	080-0145-01	1	1	1	1	1	1	1	1	1	1	1	1	1	1	1	1	1	1	1	1	1	1	1	1	1	1	1	1		
108	Cover-Terminal PE	端子盖板	005-1824-00	1	1	1	1	1	1	1	1	1	1	1	1	1	1	1	1	1	1	1	1	1	1	1	1	1	1	1	1		
109	Clamp-Wire Harness	配线固定夹	032-0704-02	1	1	1	1	1	1	1	1	1	1	1	1	1	1	1	1	1	1	1	1	1	1	1	1	1	1	1	1		
110	Block-Terminal	连接端子	080-0145-02	2	2	2	2	2	2	2	2	2	2	2	2	2	2	2	2	2	2	2	2	2	2	2	2	2	2	2	2		

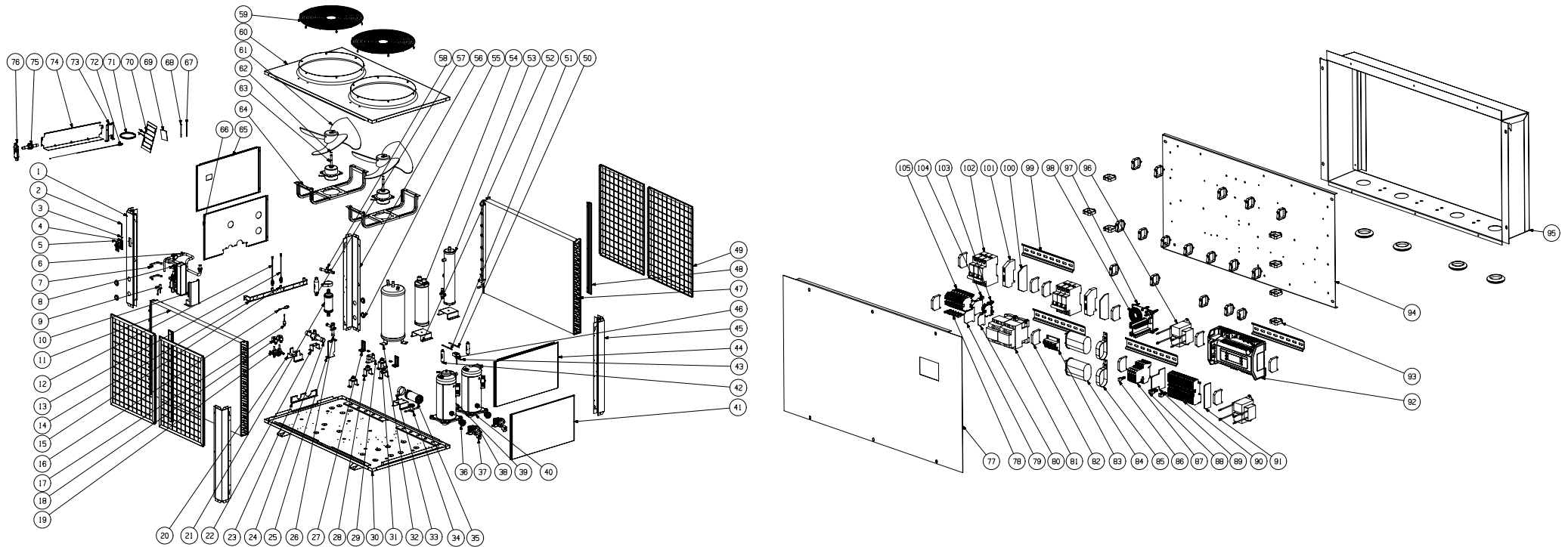
Remarks: 4xx: with Door BOM (451)
5xx: without Door BOM (591)

Item	Part Name	中文名	P/N	ZXD Units																													
				ZXD030B0	ZXD030BE	ZXD030B0	ZXD030BE	ZXD030B0	ZXD030BE	ZXD030B0	ZXD030BE	ZXD040B0/E	ZXD040B0	ZXD040BE	ZXD040B0	ZXD040BE	ZXD050B0/E	ZXD050B0	ZXD050BE	ZXD050B0	ZXD050BE	ZXD060B0/E	ZXD060B0	ZXD060BE	ZXD060B0	ZXD060BE	ZXD075B0/E	ZXD075B0	ZXD075BE	ZXD075B0	ZXD075BE	ZXD076B0/E	
				TFD		TF7		TFD		TF7		TFD		TF7		TFD		TF7		TFD		TF7		TFD		TF7		TFD		TF7		TFD	
				4XX	5XX	4XX	5XX	4XX	5XX	4XX	5XX	4XX	5XX	4XX	5XX	4XX	5XX	4XX	5XX	4XX	5XX	4XX	5XX	4XX	5XX	4XX	5XX	4XX	5XX	4XX	5XX	4XX	5XX
111	Cover-Terminal	端子盖板	005-1824-01	1	1	1	1	1	1	1	1	1	1	1	1	1	1	1	1	1	1	1	1	1	1	1	1	1	1	1			
112	Block Fixing	端子固定挡板	080-0108-00	7	7	7	7	7	7	7	7	7	7	7	7	7	7	7	7	7	7	7	7	7	7	7	7	7	7	7			
113	Transformer-Control	控制器变压器	037-0040-00	1	1	1	1	1	1	1	1	1	1	1	1	1	1	1	1	1	1	1	1	1	1	1	1	1	1	1			
114	Electronic Cover Assm	电控箱	505-1307-00	1	1	1	1	1	1	1	1	1	1	1	1	1	1	1	1	1	1	1	1	1	1	1	1	1	1	1			
115	Clamp-Wire	电线护线夹	032-0839-00	13	13	13	13	13	13	13	13	13	13	13	13	13	13	13	13	13	13	13	13	13	13	13	13	13	13	13			
116	Cover-Electric Outlet	护线环	005-1423-00	7	7	7	7	7	7	7	7	7	7	7	7	7	7	7	7	7	7	7	7	7	7	7	7	7	7	7			
117	Duct-Wire 20x50	配线槽 20x50	076-0024-00	1	1	1	1	1	1	1	1	1	1	1	1	1	1	1	1	1	1	1	1	1	1	1	1	1	1	1			
118	Rail-Mounting	导轨	074-1544-01	1	1	1	1	1	1	1	1	1	1	1	1	1	1	1	1	1	1	1	1	1	1	1	1	1	1	1			
119	Controller-Unit with SW	CoreSense控制器	543-0225-04		1		1		1	1	1		1		1	1	1		1		1	1	1		1		1		1	1			
	Controller-Unit with SW	CoreSense控制器	543-0225-05	1		1		1					1		1					1		1					1		1				
120	Cover - Terminal	端子盖板	005-1366-00	1	1	1	1	1	1	1	1	1	1	1	1	1	1	1	1	1	1	1	1	1	1	1	1	1	1	1			
121	Block-Terminal	连接端子	080-0121-00	2	2	2	2	2	2	2	2	2	2	2	2	2	2	2	2	2	2	2	2	2	2	2	2	2	2	2			
122	Protector-Breaker	断路器	071-0671-01	1	1	1	1	1	1	1																							
123	Protector-Breaker	断路器	071-0671-05							1	1	1	1	1	1	1	1	1	1	1	1	1	1	1	1	1	1	1	1	1			
124	Hotkey	程序存储器	085-0276-00	1	1	1	1	1	1	1	1	1	1	1	1	1	1	1	1	1	1	1	1	1	1	1	1	1	1	1			

Remarks: 4xx: with Door BOM (451)
5xx: without Door BOM (591)

Copeland™ Scroll ZXD-ZXLD 12-16HP Condensing Unit

Spare Parts List



Bill of materials

Item	Part Name	中文名称	P/N	ZXD160BE- TFD-551	ZXD160BE- TFD-581	ZXLD160BE- TFD-551	ZXLD160BE- TFD-581	ZXD120BE- TFD-551	ZXD120BE- TFD-581	ZXLD120BE- TFD-551	ZXLD120BE- TFD-581	Remarks
				ZXD160BE	ZXD160BE	ZXLD160BE	ZXLD160BE	ZXD120BE	ZXD120BE	ZXLD120BE	ZXLD120BE	
				TFD	TFD	TFD	TFD	TFD	TFD	TFD	TFD	
				551	581	551	581	551	581	551	581	
1	Brace-Front Right	右前支架	074-1657-00	1	1	1	1	1	1	1	1	
2	Sensor-Ambient	环境温度传感器	043-0198-00	1	1	1	1	1	1	1	1	
3	Holder-Sensor	环境温度传感器 支架	032-0592-00	1	1	1	1	1	1	1	1	
4	Cover-Handle	带孔把手	005-7193-01	1	1	1	1	1	1	1	1	
5	Cover-Sensor	传感器盖板	005-1280-00	1	1	1	1	1	1	1	1	
6	Tube-PHE Assembly	板换组件	528-3214-00	1	1	1	1	0	0	1	1	
7	Clamp-PHE Fixing	板换固定夹	032-0686-01	2	2	2	2	0	0	2	2	
8	Coil-EXV	电子膨胀阀线圈	023-0115-00	1	1	1	1	0	0	1	1	
9	Valve-EXV	电子膨胀阀阀体	010-0256-00	1	1	1	1	0	0	1	1	
10	Bracket-Phe Fixing	板换固定支架	074-1649-00	1	1	1	1	0	0	1	1	
11	Condenser-Right	右冷凝器	066-0580-00	1	1	1	1	1	1	1	1	
12	Transducer-Pressure	低压压力传感器	039-0057-01	1	1	1	1	1	1	1	1	
13	Transducer-HP	高压压力传感器	039-0058-00	1	1	1	1	1	1	1	1	
14	Bracket-Fix Wire	线夹固定支架	074-1671-00	1	1	1	1	1	1	1	1	
15	Clamp-Tube 5/16	5/16管夹	032-0918-00	6	6	6	6	8	8	6	6	
16	Control-High Pressure	高压开关	085-0267-02	1	1	1	1	1	1	1	1	
17	Control-Low Pressure	低压开关	085-0268-02	1	0	0	0	1	0	0	0	
17	Control-Low Pressure	低压开关	085-0268-03	0	1	0	0	0	1	0	0	
18	Coil-Solenoid Valve	电磁阀线圈 (喷气管路)	023-0117-00	2	2	2	2	0	0	2	2	
19	Valve-Solenoid Body	电磁阀阀体 (喷气管路)	010-0265-00	2	2	2	2	0	0	2	2	
20	Bracket-Phe S/V	喷液电磁阀支架	074-1651-00	2	2	2	2	1	1	1	1	
21	Drier-Liquid Line	过滤器	013-0247-00	1	1	1	1	1	1	1	1	
22	Bracket-Service Valve	维修截止阀支架	074-1679-00	1	1	1	1	2	2	1	1	
23	Cover-Service Valve	维修截止阀盖板	005-1993-00	1	1	1	1	1	1	1	1	
24	Valve-Ball 1-3/8	1-3/8球阀	010-0261-00	1	1	1	1	1	1	1	1	
25	Bracket-S/V 3/4	3/4截止阀支架	074-1654-00	1	1	1	1	1	1	1	1	
26	Valve-Service	3/4维修截止阀	010-7009-00	1	1	1	1	1	1	1	1	
27	Bracket-Tube	管路支架	074-1650-00	2	2	2	2	2	2	2	2	
28	Bracket-Tube	管路支架	074-1669-00	6	6	6	6	3	3	6	6	
29	Clamp-Tube 1-3/8	1-3/8管夹	032-0914-00	1	1	1	1	1	1	1	1	

Item	Part Name	中文名称	P/N	ZXD160BE- TFD-551	ZXD160BE- TFD-581	ZXLD160BE- TFD-551	ZXLD160BE- TFD-581	ZXD120BE- TFD-551	ZXD120BE- TFD-581	ZXLD120BE- TFD-551	ZXLD120BE- TFD-581	Remarks
				ZXD160BE	ZXD160BE	ZXLD160BE	ZXLD160BE	ZXD120BE	ZXD120BE	ZXLD120BE	ZXLD120BE	
				TFD	TFD	TFD	TFD	TFD	TFD	TFD	TFD	
				551	581	551	581	551	581	551	581	
30	Base-Plate	底盘	022-0756-00	1	1	1	1	1	1	1	1	
31	Clamp-Tube 1/2	1/2管夹	032-0919-00	12	12	12	12	6	6	12	12	
32	Receiver	储液器	077-0087-00	1	0	1	0	1	0	1	0	
32	Receiver	储液器	077-0087-02	0	1	0	1	0	1	0	1	
33	Clamp-Drier	过滤器支架	032-0915-00	2	2	2	2	2	2	2	2	
34	Hand Valve	手阀	010-0258-00	1	1	1	1	1	1	1	1	
35	Filter Drier-Oil	油路过滤器	013-0248-00	1	1	1	1	1	1	1	1	
36	Adapter-OM3	OM3油位控制器 转接头	034-0294-00	2	2	2	2	2	2	2	2	
37	Coil-Solenoid OM3	OM3油位控制器 电磁阀	023-0118-00	2	2	2	2	2	2	2	2	
38	OM3 Base-Oil Management	OM3油位控制器	010-0266-00	2	2	2	2	2	2	2	2	
39	Weld Comp	压缩机	ZXD61KVE-TFD-557	1	1	0	0	0	0	0	0	Digital Compressor
39	Weld Comp	压缩机	ZXJ25KCE-TFD-5L0	0	0	1	1	0	0	0	0	
39	Weld Comp	压缩机	ZBD45KQE-TFD-538	0	0	0	0	1	1	0	0	
39	Weld Comp	压缩机	ZXJ18KCE-TFD-557	0	0	0	0	0	0	1	1	
40	Weld Comp	压缩机	ZX61KVE-TFD-557	1	1	0	0	0	0	0	0	Fix Speed Compressor
40	Weld Comp	压缩机	ZXI25KCE-TFD-5L0	0	0	1	1	0	0	0	0	
40	Weld Comp	压缩机	ZX45KCE-TFD-558	0	0	0	0	1	1	0	0	
40	Weld Comp	压缩机	ZXI18KCE-TFD-557	0	0	0	0	0	0	1	1	
41	Cover-Back Under	后下盖板	005-1988-00	1	1	1	1	1	1	1	1	
42	Valve-Check	单向阀	010-7003-01	2	2	2	2	2	2	2	2	
43	Valve Body	数码电磁阀阀体	010-0125-00	1	1	1	1	3	3	1	1	
44	Cover-Back Upper	后上盖板	005-1974-00	1	1	1	1	1	1	1	1	
45	Bracket-Back	有支架	074-1766-00	2	2	2	2	2	2	2	2	
46	Coil-Holding	数码电磁阀线圈	023-0112-02	1	1	1	1	3	3	1	1	
47	Condenser-Left	左冷凝器	066-0581-00	1	1	1	1	1	1	1	1	
48	Brace-Middle	中支架	074-1660-00	2	2	2	2	2	2	2	2	
49	Guard-Condenser	冷凝器网罩	024-0302-00	4	4	4	4	4	4	4	4	
50	Thermistor Discharge	排气温度传感器 (定速机头)	043-0239-00	1	1	1	1	1	1	1	1	For Fix Speed Compressor
51	Thermistor Discharge	排气温度传感器 (数码机头)	043-0200-02	1	1	1	1	1	1	1	1	For Digital Compressor
52	Bracket-Tank	罐体支架	074-1673-00	1	1	2	2	1	1	2	2	
53	Tank-Oil Separator	油分	077-0088-00	1	1	1	1	1	1	1	1	
54	Tank-Accumulator	气分	077-0090-00	0	0	1	1	0	0	1	1	

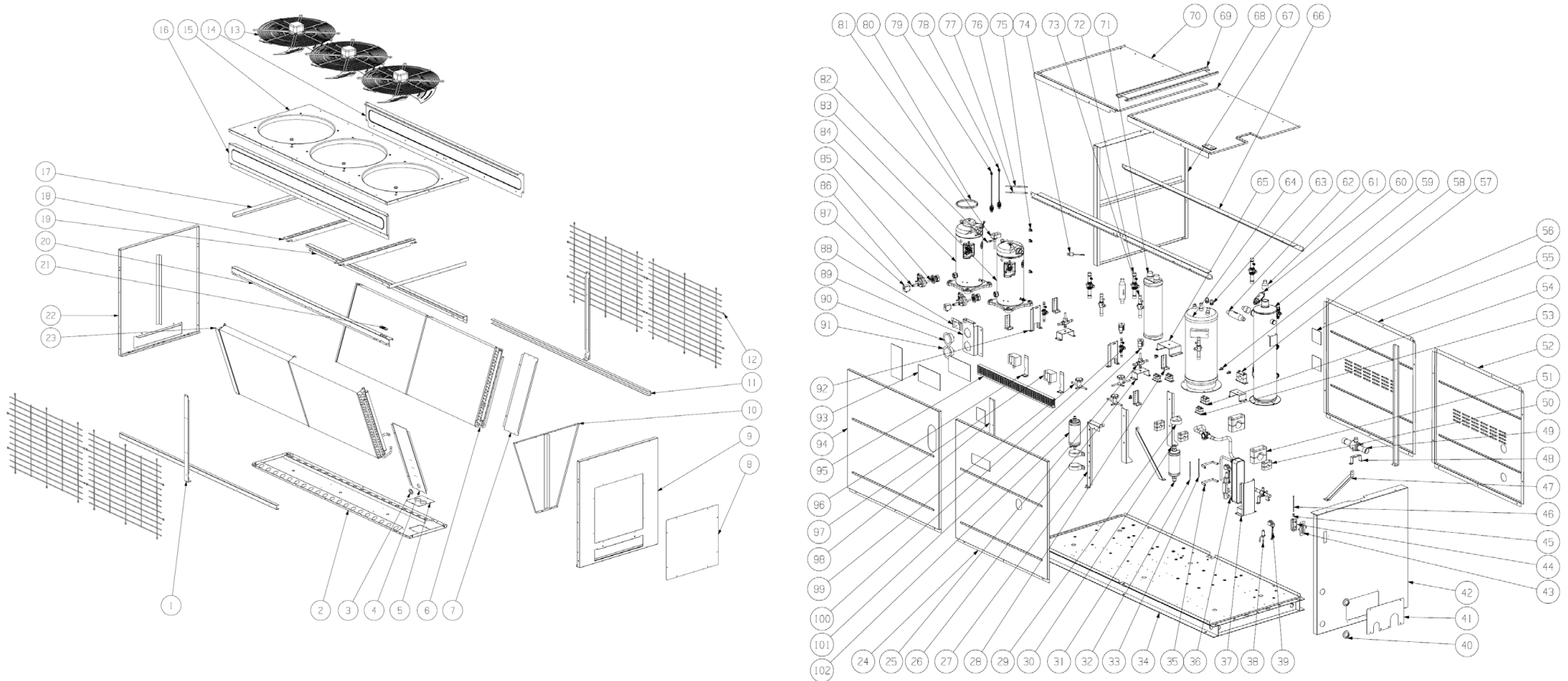
Item	Part Name	中文名称	P/N	ZXD160BE- TFD-551	ZXD160BE- TFD-581	ZXLD160BE- TFD-551	ZXLD160BE- TFD-581	ZXD120BE- TFD-551	ZXD120BE- TFD-581	ZXLD120BE- TFD-551	ZXLD120BE- TFD-581	Remarks
				ZXD160BE	ZXD160BE	ZXLD160BE	ZXLD160BE	ZXD120BE	ZXD120BE	ZXLD120BE	ZXLD120BE	
				TFD	TFD	TFD	TFD	TFD	TFD	TFD	TFD	
				551	581	551	581	551	581	551	581	
55	Cover-Electric Outlet	过线环	005-1423-02	8	8	8	8	4	4	4	4	
56	Brace-Front Left	左前支架	074-1658-00	1	1	1	1	1	1	1	1	
57	Valve-Check	单向阀	010-0264-00	1	1	1	1	1	1	1	1	
58	Valve-Ball 3/4	3/4 球阀	010-0257-00	1	1	1	1	2	2	1	1	
59	Guard-Fan	风扇网罩	024-0299-00	2	2	2	2	2	2	2	2	
60	Cover-Top	顶盖	005-1968-00	1	1	1	1	1	1	1	1	
61	Fan Blade	扇叶	083-0169-00	2	2	2	2	2	2	2	2	
62	Retainer-Ring	卡簧	032-0921-00	2	2	2	2	2	2	2	2	
63	Motor-Fan	风扇电机	050-0391-00	2	2	2	2	2	2	2	2	
64	Bracket-Fan	风机支架	074-1661-00	2	2	2	2	2	2	2	2	
65	Cover-Front Upper	前上盖板	005-1996-00	1	1	1	1	1	1	1	1	
66	Cover-Front Under	前下盖板	005-1969-00	1	1	1	1	1	1	1	1	
67	Sensor-Vapor In	板换进口温度传感器	043-0202-01	1	1	1	1	0	0	1	1	
68	Sensor-Vapor Out	板换出口温度传感器	043-0201-01	1	1	1	1	0	0	1	1	
69	Cover-PC	塑料盖板	005-1999-00	4	4	4	4	4	4	4	4	
70	Heater-Receiver	储液器加热带	018-0100-00	0	2	0	2	0	2	0	2	
71	Heater-Crankcase	压缩机加热带	018-0120-00	2	2	2	2	2	2	2	2	
72	Control-High Pressure	高压开关	085-0267-05	0	1	0	1	0	1	0	1	
73	Bracket-Valve	电测阀支架	074-1763-00	0	0	0	0	2	0	0	0	
74	Cover-Fan	风扇挡板	005-2007-00	1	1	1	1	1	1	1	1	
75	Sight Glass-Liquid Line	视液镜	070-0057-00	1	1	1	1	1	1	1	1	
76	Valve-Check	单向阀	010-0264-01	0	0	0	0	2	2	0	0	Suction assm
77	Cover-Control Box	电控箱盖板	005-1983-00	1	1	1	1	1	1	1	1	
78	Connector-Jumper	跨接端子	021-0466-00	3	3	3	3	3	3	3	3	
79	Cover-Terminal	端子盖板	005-1824-00	1	1	1	1	1	1	1	1	
80	Cover-Terminal	端子盖板	005-1824-01	1	1	1	1	1	1	1	1	
81	Contacto	接触器	012-0248-03	2	2	2	2	2	2	2	2	
82	Block-Fixing	固定端子块	080-0108-00	10	10	10	10	10	10	10	10	
83	Block-Ground	接地端子块	080-0144-00	1	1	1	1	1	1	1	1	
84	Capacitor	电容	014-0079-01	2	2	2	2	2	2	2	2	
85	Clamp-Capacitor	电容夹	032-0743-00	2	2	2	2	2	2	2	2	
86	Connector-Jumper	保险丝跨接端子	021-0273-00	1	1	1	1	1	1	1	1	
87	Connector-Fuse Holder	保险丝底座	521-0218-00	4	4	4	4	4	4	4	4	
88	Connector-Jumper	跨接端子	021-0273-01	5	5	5	5	5	5	5	5	

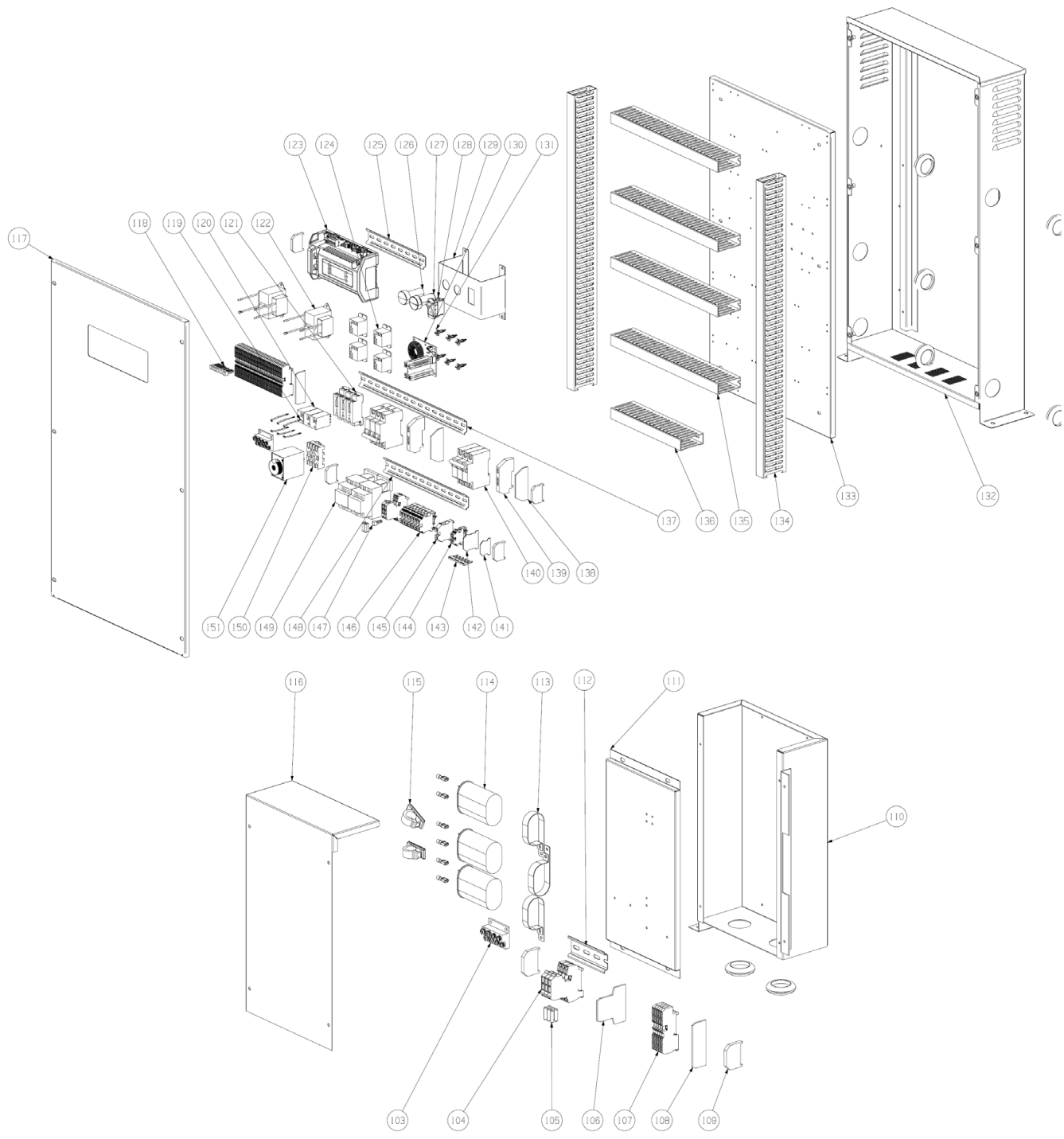
Item	Part Name	中文名称	P/N	ZXD160BE-TFD-551	ZXD160BE-TFD-581	ZXLD160BE-TFD-551	ZXLD160BE-TFD-581	ZXD120BE-TFD-551	ZXD120BE-TFD-581	ZXLD120BE-TFD-551	ZXLD120BE-TFD-581	Remarks
				ZXD160BE	ZXD160BE	ZXLD160BE	ZXLD160BE	ZXD120BE	ZXD120BE	ZXLD120BE	ZXLD120BE	
				TFD	TFD	TFD	TFD	TFD	TFD	TFD	TFD	
				551	581	551	581	551	581	551	581	
89	Cover-Fuse	保险丝盖板	005-1281-00	1	1	1	1	1	1	1	1	
90	Block-Terminal	接线端子块	080-0146-00	22	24	22	24	22	22	22	22	
91	Cover-Terminal	接线端子盖板	005-1825-00	1	1	1	1	1	1	1	1	
92	Controller-Unit with SW	CoreSense控制器	543-0225-08	1	0	0	0	0	0	0	0	
92	Controller-Unit with SW	CoreSense控制器	543-0225-09	0	0	1	0	0	0	1	1	
92	Controller-Unit with SW	CoreSense控制器	543-0225-12	0	1	0	0	0	0	0	0	
92	Controller-Unit with SW	CoreSense控制器	543-0225-13	0	0	0	1	0	0	0	0	
92	Controller-Unit with SW	CoreSense控制器	543-0225-29	0	0	0	0	1	1	0	0	
93	Clamp-Wire	线夹固定支架	032-0920-00	24	24	24	24	24	24	24	24	
94	Base-Control Box	电控箱底板	022-0738-00	1	1	1	1	1	1	1	1	
95	Box-Control	电控箱	062-0496-00	1	1	1	1	1	1	1	1	
96	Transformer-Control	控制器变压器	037-0040-00	2	2	2	2	2	2	2	2	
97	Spacer-PCBA	隔离柱	027-0563-00	6	6	6	6	6	6	6	6	
98	Controller-Fan	风扇调速器	085-0305-00	1	1	1	1	1	1	1	1	
99	Rail-Mounting	导轨	074-1544-01	4	4	4	4	4	4	4	4	
100	Cover-Terminal	端子盖板	005-1366-00	2	2	2	2	2	2	2	2	
101	Block-Terminal	端子	080-0121-00	2	2	2	2	2	2	2	2	
102	Protector-Breaker	断路器	071-0671-03	2	2	2	2	2	2	2	2	
103	Block-Terminal	端子	080-0145-00	7	7	7	7	7	7	7	7	
104	Block-Terminal Ground	接地端子	080-0145-01	1	1	1	1	1	1	1	1	
105	Block-Terminal	端子	080-0145-02	2	2	2	2	2	2	2	2	
106	Sound-Comp Cap	压缩机顶盖消音棉	005-1592-00	2	2	2	2	2	2	2	2	For Digital Compressor, Part not shown in drawing
107	Sound-Comp Bottom	压缩机底部消音棉	005-1593-00	2	2	2	2	2	2	2	2	For Digital & Fix Speed Compressor, Part not shown in drawing
108	Sound-T Box Side	压缩机接线盒消音棉	005-1595-00	2	2	2	2	2	2	2	2	
109	Sound-T Box Cover	压缩机接线盒顶盖消音棉	005-1596-00	2	2	2	2	2	2	2	2	
110	Sound-Comp Side	压缩机消音棉	005-1620-01	0	0	1	1	0	0	1	1	For Digital Compressor, Part not shown in drawing
110	Sound-Comp Side	压缩机消音棉	005-1620-00	0	0	0	0	2	2	0	0	
111	Sound Cover-Comp Side	压缩机消音棉	005-1852-00	1	1	1	1	0	0	1	1	For Fix Speed Compressor, Part not shown in drawing

Item	Part Name	中文名称	P/N	ZXD160BE- TFD-551	ZXD160BE- TFD-581	ZXLD160BE- TFD-551	ZXLD160BE- TFD-581	ZXD120BE- TFD-551	ZXD120BE- TFD-581	ZXLD120BE- TFD-551	ZXLD120BE- TFD-581	Remarks
				ZXD160BE	ZXD160BE	ZXLD160BE	ZXLD160BE	ZXD120BE	ZXD120BE	ZXLD120BE	ZXLD120BE	
				TFD	TFD	TFD	TFD	TFD	TFD	TFD	TFD	
				551	581	551	581	551	581	551	581	
111	Sound Cover-Comp Side	压缩机消音棉	005-1852-01	1	1	0	0	0	0	0	0	For Digital Compressor, Part not shown in drawing
112	Sound Cap-Comp Top	压缩顶盖消音棉	005-1853-00	1	1	1	1	1	1	1	1	For Fix Speed Compressor, Part not shown in drawing
113	Cable-Power Comp	压缩机动力线	529-0387-00	2	2	2	2	2	2	2	2	Not shown in drawing

Copeland™ Scroll ZXD-ZXLD 20HP Condensing Unit

Spare Parts List





Bill of materials

Item	Part Name	中文名称	P/N	ZXD200BE-TFD-551		Remarks
				ZXD200BE	ZXLD200BE	
				TFD	TFD	
				551	551	
1	Bracket-Middle	冷凝器网罩支架	074-1736-00	2	2	
2	Bracket-Cond. Base	冷凝器底部支架	074-1696-00	1	1	
3	Cover-Electric Outlet	过线环	005-1423-01	3	3	
4	Bracket-Cond. End Right	冷凝器右边板支架	074-1698-01	1	1	
5	Cover-Tube	管路盖板	005-2028-00	2	2	
6	Condenser-Right	右冷凝器	066-0593-00	1	1	
7	Bracket-Cond. End Left	冷凝器左边板支架	074-1698-00	1	1	
8	Cover-Top Service	顶部维修盖板	005-2023-00	1	1	
9	Cover-Right Top	顶部右盖板	005-2022-00	1	1	
10	Plate-Wind	风机隔板	003-1753-00	1	1	
11	Bracket-Back	顶部后支架	074-1700-00	2	2	
12	Guard-Condenser Front	冷凝器网罩	024-0304-00	4	4	
13	Fan Motor Assembly	外转子风机	550-0706-00	3	3	
14	Cover-Top Back	顶部后盖板	005-2024-01	1	1	
15	Cover-Fan	风机顶盖	005-2025-00	1	1	
16	Cover-Top Front	顶部前盖板	005-2024-00	1	1	
17	Bracket-Top	顶部加固支架	074-1701-00	2	2	
18	Bracket-Top	顶部加固支架	074-1701-01	2	2	
19	Bracket-Cond. Top	右冷凝器顶部支架	074-1699-01	1	1	
20	Bracket-Cond. Top	左冷凝器顶部支架	074-1699-00	1	1	
21	Cover-Electric Outlet	过线环	005-1423-00	6	6	
22	Cover-Left Top	顶部左盖板	005-2022-01	1	1	
23	Condenser-Left	左冷凝器	066-0594-00	1	1	
24	Cover-Front Right	底部右前盖板	005-2030-01	1	1	
25	Valve-Solenoid Body	电磁阀阀体（喷气管路）	010-0265-00	2	2	
26	Bracket-S/V Valve	电磁阀支架	074-1679-02	3	3	
27	Bracket-Oil Filter	过滤器支架	074-1712-00	1	1	
28	Bracket-Tube	管路支架	074-1650-00	4	4	
29	Clamp-Drier	过滤器夹子	032-0915-00	3	3	
30	Bracket-Control Box	底部电控箱支架	074-1711-00	2	2	
31	Drier-Liquid Line	过滤器	013-0247-00	1	1	
32	Sensor-Vapor In	板换进口温度传感器	043-0202-01	1	1	

Item	Part Name	中文名称	P/N	ZXD200BE-TFD-551		Remarks
				ZXD200BE	ZXLD200BE	
				TFD	TFD	
				551	551	
33	Sensor-Vapor Out	板换出口温度传感器	043-0201-01	1	1	
34	Base-Plate	底盘	022-0746-00	1	1	
35	Clamp-PHE Fixing	板换固定夹	032-0686-01	2	2	
36	Tube-PHE Assm	板换组件	528-3305-00	1	1	
37	Bracket-PHE Fixing	板换固定支架	074-1649-00	1	1	
38	Valve-EXV	电子膨胀阀线圈	010-0273-00	1	1	
39	Coil-EXV	电子膨胀阀线圈	023-0115-00	1	1	
40	Cover-Electric Outlet	过线环	005-1423-02	7	7	
41	Cover-Lower Service	底部截止阀盖板	005-2023-01	1	1	
42	Cover-Right Lower	底部右盖板	005-2032-00	1	1	
43	Cover-Sensor	传感器盖板	005-1280-00	1	1	
44	Cover-Handle	带孔把手	005-7193-01	1	1	
45	Holder-Sensor	环境温度传感器支架	032-0592-00	1	1	
46	Sensor-Ambient	环境温度传感器支架	043-0198-01	1	1	
47	Bracket-Gusset	底部加固支架	074-1729-00	2	2	
48	Bracket-Service Valve	维修截止阀支架	074-1679-01	2	2	
49	Valve-Ball 1-3/8	1-3/8球阀	010-0261-00	1	1	
50	Clamp-Tube 7/8	7/8管夹	032-0922-02	3	3	
51	Tube-Clamp 2-1/8	2-1/8管夹	032-0922-00	2	2	
52	Cover-Back Lower	底部后右盖板	005-2029-01	1	1	
53	Clamp-Tube 1/2	1/2管夹	032-0914-01	3	3	
54	Clamp-Tube 3/4	3/4管夹	032-0914-02	1	1	
55	Cover-Back Lower	底部后左盖板	005-2029-00	1	1	
56	Cover-PC	塑料盖板	005-1999-00	3	3	
57	Clamp-Tube 1-3/8	1-3/8管夹	032-0914-00	1	1	
58	Clamp-Tube 5/16	5/16管夹	032-0918-00	2	2	
59	Tank-Oil Separator	油分	077-0088-01	1	1	
60	Valve-Check	单向阀	010-0264-01	1	1	
61	Fitting-Reducer	管路转接头	036-1706-01	2	2	
62	Valve-Check	单向阀	010-0264-00	2	2	
63	Cover-Waterproof	防水接头	005-2034-00	2	2	
64	Receiver	储液器	077-0087-04	1	1	
65	Bracket-Tank	罐体支架	074-1673-00	1	1	
66	Bracket-Left To Right	底部上支架	074-1704-00	2	2	
67	Cover-Left Lower	底部左盖板	005-2033-00	1	1	
68	Cover-Lower Top	底部右上盖板	005-2031-01	1	1	

Item	Part Name	中文名称	P/N	ZXD200BE-TFD-551	ZXLD200BE-TFD-551	Remarks
				ZXD200BE	ZXLD200BE	
				TFD	TFD	
				551	551	
69	Bracket-Top Cover	底部中盖板	074-1737-00	1	1	
70	Cover-Lower Top	底部左上盖板	005-2031-00	1	1	
71	Tank-Accumulator	气分	077-0090-00	1	1	
72	Valve-Ball 7/8	7/8球阀	010-0257-01	3	3	
73	Valve-Ball 3/4	3/4球阀	010-0257-00	4	4	
74	Control-High Pressure	高压开关	085-0267-06	1	1	
75	Clamp-Tube w/Gasket	管夹	032-0934-00	5	5	
76	Thermistor Discharge	排气温度传感器 (数码机头)	043-0200-02	1	1	For Digital Compressor
77	Thermistor Discharge	排气温度传感器 (定速机头)	043-0239-00	1	1	For Fix Speed Compressor
78	Transducer-HP	高压压力传感器	039-0058-00	1	1	
79	Transducer-Pressure	低压压力传感器	039-0057-01	1	1	
80	Heater-Crankcase	压缩机加热带	018-0120-00	2	2	
81	Coil-Holding	数码电磁阀线圈	023-0112-02	1	1	
82	Valve Body	数码电磁阀阀体	010-0125-00	1	1	
83	Weld Comp	压缩机	ZX78KVE-TFD-5L0	1	0	Fix speed Compressor
83	Weld Comp	压缩机	ZX128KCE-TFD-5L0	0	1	Fix speed Compressor
84	Weld Comp	压缩机	ZXD78KVE-TFD-5L0	1	0	Didital Compressor
84	Weld Comp	压缩机	ZXJ25KCE-TFD-5L0	0	1	Digital Compressor
85	Adapter-OM3	OM3油位控制器转接头	034-0294-00	2	2	
86	OM3 Base-Oil Management	OM3油位控制器	010-0266-00	2	2	
87	Coil-Solenoid OM3	OM3油位控制器电磁阀	023-0118-00	2	2	
88	Bracket-Bridge	压力表加固支架	074-1738-00	1	1	
89	Bracket-Gauge Pressure	压力表支架	074-1709-00	1	1	
90	Gauge-Pressure	高压压力表	039-0048-00	1	1	
91	Gauge-Pressure	低压压力表	039-0048-01	1	1	
92	Bracket-Ball Valve	球阀支架	074-1711-01	2	2	
93	Cover-PC	塑料盖板	005-1999-01	3	3	
94	Cover-Front Left	底部左前盖板	005-2030-00	1	1	
95	Duct-Wire 25x65	线槽	076-0031-00	1	1	
96	Bracket-LP Controller	压控开关支架	074-1586-00	2	2	
97	Control-Adjustable LP	可调低压控制器	085-7049-02	2	0	
97	Control-Adjustable LP	可调低压控制器	085-7049-03	0	2	
98	Brace-Lower	底部中支架	074-1706-00	2	2	
99	Hand Valve	手阀	010-0258-00	3	3	
100	Valve-Ball 1/2	1/2球阀	010-0257-02	2	2	
101	Coil-Solenoid Valve	电磁阀线圈 (喷气管路)	023-0117-00	2	2	

Item	Part Name	中文名称	P/N	ZXD200BE-TFD-551	ZXLD200BE-TFD-551	Remarks
				ZXD200BE	ZXLD200BE	
				TFD	TFD	
				551	551	
102	Filter Drier-Oil	油路过滤器	013-0248-00	1	1	
103	Block-Ground	接地端子块	080-0144-00	2	2	
104	Connector-Fuse Holder	保险丝底座	521-0218-00	5	5	
105	Fuse	保险丝底座	071-0653-00	10	10	
106	Cover-Fuse	保险丝盖板	005-1281-00	1	1	
107	Block-Terminal	接线端子块	080-0146-00	38	38	
108	Cover-Terminal	接线端子盖板	005-1825-00	2	2	
109	Block-Fixing	端子固定块	080-0108-00	6	6	
110	Box-Control Up	顶部电控箱	062-0503-00	1	1	
111	Base-Control Up	顶部电控箱底板	022-0747-01	1	1	
112	Rail-Mounting	导轨	074-1544-00	1	1	
113	Clamp-Capacitor	电容夹	032-0743-00	3	3	
114	Capacitor	电容夹	014-0079-01	3	3	
115	Clamp-Wire Harness	线夹	032-0704-02	2	2	
116	Cover-Box Up	顶部电控箱盖板	005-2027-00	1	1	
117	Cover-Box Lower	底部电控箱盖板	005-2027-01	1	1	
118	Connector-Jumper	跨接端子	021-0273-01	9	9	
119	Clamp-Relay	继电器夹	032-0933-00	6	6	
120	Relay-Plug In	继电器	040-0207-00	3	3	
121	Block-Relay Terminal	继电器底座	080-0171-00	3	3	
122	Transformer-Control	控制器变压器	037-0040-00	2	2	
123	Controller-Elect. Unit with SW	CoreSense控制器	543-0225-21	1	0	9/2/2020 update
123	Controller-Elect. Unit with SW	CoreSense控制器	543-0225-22	0	1	9/2/2020 update
124	Relay-Defrost	直接继电器	040-0181-00	4	4	
125	Rail-Mounting	导轨	074-1544-01	1	1	
126	Alarm Light	报警灯	085-0250-00	1	1	
127	Alarm Light	报警灯	085-0250-01	1	1	
128	Switch-Paddle	手动开关	043-0252-00	1	1	
129	Bracket-Alarm LED	报警灯支架	074-1708-00	1	1	
130	Controller-Fan	风扇调速器	085-0305-00	1	1	
131	Spacer-PCBA	隔离柱	027-0563-00	6	6	
132	Box-Control Lower	底部电控箱	062-0503-01	1	1	
133	Base-Control Box	底部电控箱底板	022-0747-00	1	1	
134	Duct-Wire 25x65	线槽	076-0031-01	2	2	
135	Duct-Wire 25x65	线槽	076-0031-02	4	4	
136	Duct-Wire 25x65	线槽	076-0031-03	1	1	

Item	Part Name	中文名称	P/N	ZXD200BE-TFD-551	ZXLD200BE-TFD-551	Remarks
				ZXD200BE	ZXLD200BE	
				TFD	TFD	
				551	551	
137	Rail-Mounting	导轨	074-1544-05	1	1	
138	Cover-Terminal	端子盖板	005-1366-00	2	2	
139	Block-Terminal	端子块	080-0121-00	2	2	
140	Protector-Breaker	断路器	071-0671-04	2	2	
141	Cover-Terminal	端子盖板	005-1824-01	1	1	
142	Cover-Terminal	端子盖板	005-1824-00	1	1	
143	Connector-Jumper	跨接端子	021-0466-00	3	3	
144	Block-Terminal	端子块	080-0145-02	2	2	
145	Block-Terminal Ground	接地端子块	080-0145-01	1	1	
146	Block-Terminal	端子块	080-0145-00	7	7	
147	Connector-Jumper	跨接端子	021-0273-00	1	1	
148	Rail-Mounting	导轨	074-1544-04	1	1	
149	Contacto	接触器	012-0248-04	2	2	
150	Block-Time Relay	时间继电器底座	080-0172-00	1	1	
151	Relay-Time	时间继电器	040-0208-00	1	1	
152	Sound-Comp Cap	压缩机顶盖消音棉	005-1592-00	2	2	For Digital Compressor, Part not shown in drawing
153	Sound-Comp Bottom	压缩机底部消音棉	005-1593-00	2	2	For Digital & Fix Speed Compressor, Part not shown in drawing
154	Sound-T Box Side	压缩机接线盒消音棉	005-1595-00	2	2	For Digital & Fix Speed Compressor, Part not shown in drawing
155	Sound-T Box Cover	压缩机接线盒顶盖消音棉	005-1596-00	2	2	For Digital & Fix Speed Compressor, Part not shown in drawing
156	Sound-Comp Side	压缩机消音棉	005-1620-01	2	2	For Digital & Fix Speed Compressor, Part not shown in drawing
157	Sound Cap-Comp Top	压缩机顶盖消音棉	005-1853-00	1	1	For Digital & Fix Speed Compressor, Part not shown in drawing
158	Cable-Power Comp	压缩机动引线	529-0387-00	2	2	Not shown in drawing

Copeland™ Scroll ZXV Condensing Unit

Spare Parts List

Bill of materials

	Part Name	中文名称	P/N	ZXV075BP-4XD-451/551	ZXV075BP-4XK-551/451	ZXV090BP-4XD-451/551	ZXV090BP-4XK-551/451	ZXV065BE-4XD-451/551	ZXV065BE-4XK-551/451	ZXV065BE-5XJ-451	ZXV085BE-4XD-451/551	ZXV085BE-4XK-551/451	ZXV130BE-4XD-451	ZXV130BE-5XJ-451	
Medium Temperature	Motor-Fan	风扇电机	050-0308-01	1	0	1	0	1	0	0	1	0	2	0	
			050-0316-01	0	1	0	1	0	1	1	0	1	0	2	
	Blade-Fan	扇叶	083-6931-00	1	1	1	1	1	1	1	1	1	2	2	
	Transducer-Pressure	低压压力传感器	039-0044-01/ 039-0057-01	1	1	1	1	1	1	1	1	1	1	0	0
			039-0044-02/ 039-0057-01	0	0	0	0	0	0	0	0	0	0	1	1
	Weld Compressor	压缩机	ZBW030DP-4X9-573	1	1	1	1	0	0	0	0	0	0	0	0
			ZBW030DE-4X9-573	0	0	0	0	1	1	0	0	0	0	0	0
			ZBW030DE-5X9-573	0	0	0	0	0	0	1	0	0	0	0	0
			ZBW038DE-4X9-573	0	0	0	0	0	0	0	1	1	0	0	0
			ZBW050SE-4X9-558	0	0	0	0	0	0	0	0	0	0	1	0
			ZBW050SE-5X9-558	0	0	0	0	0	0	0	0	0	0	0	1
	Drive	变频器	EV2055M-K8-291	1	1	0	0	1	1	0	0	0	0	0	0
			EV2080M-K8-291	0	0	1	1	0	0	0	1	1	0	0	
			EV2080M-J7-291	0	0	0	0	0	0	1	0	0	0	0	1
			EVD1110B-D3-111	0	0	0	0	0	0	0	0	0	0	1	0
	Capacitor Board	电容板	143-0020-02	1	1	1	1	1	1	0	1	1	0	0	
			143-0025-02	0	0	0	0	0	0	1	0	0	0	1	
			143-0066-00	0	0	0	0	0	0	0	0	0	1	0	
	Filter Board	滤波板	143-0028-01	1	1	1	1	1	1	0	1	1	0	0	
			143-0027-01	0	0	0	0	0	0	1	0	0	0	1	
			143-0065-00	0	0	0	0	0	0	0	0	0	1	0	
	Choke	电抗	037-0043-01	3	3	3	3	3	3	0	3	3	0	0	
			037-0063-00	0	0	0	0	0	0	1	0	0	0	1	
			037-0068-00	0	0	0	0	0	0	0	0	0	1	0	
	Coil-EXV	电子膨胀阀线圈	023-0105-00	1	1	1	1	1	1	1	1	1	0	0	
			023-0105-01	0	0	0	0	0	0	0	0	0	1	1	
	Valve-EXV	电子膨胀阀阀体	010-0104-00	1	1	1	1	1	1	1	1	1	1	1	

	Part Name	中文名称	P/N	ZXV075BP-4XD-451/551	ZXV075BP-4XK-551/451	ZXV090BP-4XD-451/551	ZXV090BP-4XK-551/451	ZXV065BE-4XD-451/551	ZXV065BE-4XK-551/451	ZXV065BE-5XJ-451	ZXV085BE-4XD-451/551	ZXV085BE-4XK-551/451	ZXV130BE-4XD-451	ZXV130BE-5XJ-451	
Medium Temperature	Drier-Liquid Line	干燥过滤器	013-7014-00	1	1	1	1	1	1	1	1	1	1	1	
	Capacitor	风机电容	014-0079-00	1	1	1	1	1	1	1	1	1	1	1	
	Sensor-Coil	冷凝温度传感器	043-0199-00	1	1	1	1	1	1	1	1	1	1	1	
	Sensor-Ambient	环境温度传感器	043-0198-00	1	1	1	1	1	1	1	1	1	1	1	
	Control-Low Pressure	低压开关	085-0268-00	1	1	1	1	1	1	1	1	1	1	0	0
			085-0268-02	0	0	0	0	0	0	0	0	0	0	1	1
	Control-High Pressure	高压开关	085-0295-00	1	1	1	1	1	1	1	1	1	1	0	0
			085-0267-00	0	0	0	0	0	0	0	0	0	0	1	1
	Thermistor-Discharge	排气温度传感器	043-0200-00	1	1	1	1	1	1	1	1	1	1	0	0
			043-0200-01	0	0	0	0	0	0	0	0	0	0	1	1
	Contactor	接触器	012-0248-02	1	1	1	1	1	1	1	1	1	1	0	0
			012-0248-03	0	0	0	0	0	0	0	0	0	0	1	0
			012-0248-04	0	0	0	0	0	0	0	0	0	0	0	1
	Controller-Unit with SW	CoreSense控制器	543-0245-00	1	1	1	1	1	1	1	1	1	1	0	0
			543-0245-02	0	0	0	0	0	0	0	0	0	0	1	1
	Circuit-Breaker	断路器	071-0671-03	1	1	1	1	1	1	1	1	1	1	0	0
071-0671-04			0	0	0	0	0	0	0	0	0	0	0	1	
071-0671-05			0	0	0	0	0	0	0	0	0	0	1	0	
Hotkey	程序存储器	085-0276-00	1	1	1	1	1	1	1	1	1	1	1		

	Part Name	中文名称	P/N	ZXLV030BE-4XD-451/551	ZXLV030BE-4XK-551/451	ZXLV030BE-5XJ-451	ZXLV040BE-4XD-451/551	ZXLV040BE-4XK-551/451	ZXLV050BE-4XD-451/551	ZXLV050BE-4XK-451/551
Low Temperature	Motor-Fan	风扇电机	050-0308-01	1	0	0	1	0	2	0
			050-0316-01	0	1	1	0	1	0	2
	Blade-Fan	扇叶	083-6931-00	1	1	1	1	1	2	2
	Transducer-Pressure	低压压力传感器	039-0044-01/039-0057-01	1	1	1	1	1	1	1
	Weld Compressor	压缩机	ZFW030DE-4X9-573	1	1	0	0	0	0	0
			ZFW038DE-4X9-573	0	0	0	1	1	0	0
			ZFW038DE-5X9-573	0	0	1	0	0	0	0
			ZFW050SE-4X9-558	0	0	0	0	0	1	1
	Drive	变频器	EV2055M-K8-291	1	1	0	0	0	0	0
			EV2080M-K8-291	0	0	0	1	1	0	0
			EV2080M-J7-291	0	0	1	0	0	0	0
			EVD1110B-D3-111	0	0	0	0	0	1	1

	Part Name	中文名称	P/N	ZXLV030BE-4XD-451/551	ZXLV030BE-4XK-551/451	ZXLV030BE-5XJ-451	ZXLV040BE-4XD-451/551	ZXLV040BE-4XK-551/451	ZXLV050BE-4XD-451/551	ZXLV050BE-4XK-451/551
Low Temperature	Capacitor Board	电容板	143-0020-02	1	1	0	1	1	0	0
			143-0025-02	0	0	1	0	0	0	0
			143-0066-00	0	0	0	0	0	1	1
	Filter Board	滤波板	143-0028-01	1	1	0	1	1	0	0
			143-0027-01	0	0	1	0	0	0	0
			143-0065-00	0	0	0	0	0	1	1
	Choke	电抗	037-0043-01	3	3	0	3	3	0	0
			037-0063-00	0	0	1	0	0	0	0
			037-0068-00	0	0	0	0	0	1	1
	Coil-EXV	电子膨胀阀线圈	023-0105-00	1	1	1	1	1	1	1
	Valve-EXV	电子膨胀阀阀体	010-0104-00	1	1	1	1	1	1	1
	Drier-Liquid Line	干燥过滤器	013-7014-00	1	1	1	1	1	1	1
	Capacitor	风机电容	014-0079-00	1	1	1	1	1	2	2
	Sensor-Coil	冷凝温度传感器	043-0199-00	1	1	1	1	1	1	1
	Sensor-Ambient	环境温度传感器	043-0198-00	1	1	1	1	1	1	1
	Control-Low Pressure	低压开关	085-0268-03	1	1	1	1	1	0	0
	Control-High Pressure	高压开关	085-0295-02	1	1	1	1	1	0	0
			085-0267-00	0	0	0	0	0	1	1
	Thermistor-Discharge	排气温度传感器	043-0200-00	1	1	1	1	1	0	0
			043-0200-01	0	0	0	0	0	1	1
	Contactor	接触器	012-0248-02	1	1	1	1	1	0	0
			012-0248-03	0	0	0	0	0	1	1
	Controller-Unit with SW	CoreSense控制器	543-0245-01	1	1	1	1	1	0	0
543-0245-05			0	0	0	0	0	1	1	
Circuit-Breaker	断路器	071-0671-03	1	1	1	1	1	0	0	
		071-0671-05	0	0	0	0	0	1	1	
Hotkey	程序存储器	085-0276-00	1	1	1	1	1	1	1	