



Semi-hermetic condensing units - 50Hz

State-of-the-art semi-hermetic piston technology

COPELAND™


EMERSON™



Table of contents

General information	4
Technical data	6 - 35
R22 - Standard	6
R22 - Discuss	10
R134a - Standard	14
R134a - Discuss	17
R404A - Standard	19
R404A - Discuss	24
R407A - Discuss	28
R407C - Discuss	32
R22 - 2-stage	34
R404A - 2-stage	35
Dimensional drawings	36 - 38
Mechanical data	39 - 40
Electrical data	41 - 42
Model options	43
Additional application guidelines	44

Semi-hermetic air-cooled condensing units

For many years, users of Copeland™ semi-hermetic condensing units have relied on Emerson Commercial and Residential Solutions to provide high performance and value to the refrigeration market. Emerson is committed to continuous technical development while maintaining the traditional values of Copeland for refrigeration.

This product selection catalogue provides a complete listing of the semi-hermetic condensing unit range for 50Hz operation.

Long engineering and manufacturing experience have led to these condensing units, produced in one of the most advanced facilities in Europe. They feature excellent quality and are traditionally well known in the refrigeration industry.

Range

Three versions are available:

1. **Two-stage units** for very low temperature applications, units with 2-stage compressors in the range of 15 to 30 hp are available.

2. **High efficiency Copeland Discus™** units featuring Discus™ valve compressor technology, covering models from 5 to 40 hp. These units are specifically suitable for those applications where high efficiency is required.

For R22 low temperature applications, a liquid injection system is required (Demand Cooling). Condensing units available with this system are indicated by “DC” in the nomenclature.

3. **Standard units** from 0.75 to 15 hp, economically priced and based on K, L, 2S and 3S compressors, using reed valve technology. Models from 2 hp and above are also available with a large sized condenser (from 3 hp with twin fans), suitable for extreme conditions like high evaporating and/or high ambient temperatures. All units are fit for both medium and low temperature applications. For R22 low temperature applications, 3S compressors are supplied with a discharge gas temperature protection valve (DTC).

Note: Units with compressors 2S and 3S are only available for R404A, R134a, and R22. Models rated for R404A may also be applied with R507. In this case, multiply stated cooling capacity by 1.03 and power input and motor current by 1.02.

Models supplied with ester oil are capable of operating with R404A, R507, R407C, R407A, R134a or R22, thus suitable for a broad range of refrigerants and applications.

Standard equipment

Compressor

- Single-phase motor with thermal overload protector
- 3-phase motor protected by thermistors in motor windings and overload protector in the terminal box

All compressors are suitable for direct starting. To reduce inrush currents, motors for part-winding start are available on all Discus units and on standard units of 7.5hp and above. An unloaded start device is available as option for all units with part-winding start motors.

Safe Lubrication is another key feature available with the compressors. K and L ester oil models (identified by an “X” in the model designation) incorporate an internal oil pump to enhance durability particularly in R404A applications. Standardizing all ester oil models with this improvement permits their universal application with R404A, R22, R407C, R134a and R507. In addition, standard air-cooled compressors with splasher lubrication are available for mineral oil applications only. An oil pressure switch is not required with air-cooled models.

Condenser

- Copper tube
- Steel frame with fan base

Receiver

- With CC and UDT approval
- Sight glass with receivers from 11.7 onwards
- Equipped with Rotalock valve and pressure relief valve connection

Fan motors

- Thermally protected, single-phase fans
- Z-12 comes with three-phase fans
- Run capacitor mounted and wired into terminal box

- Applicable for fan speed control
- Maintenance free

CoreSense™ technology unlocks advanced diagnostics, protection and communication capabilities. With in-depth system information, technicians can make faster, more accurate decisions resulting in improved compressor performance and reliability.

For all 4M and 6M models, CoreSense will be supplied as a standard.

High / low pressure switch with automatic reset

Differential oil pressure switch (OPS2) for all S and 2D/3D models.

Electrical box

Applied on twin fan models as well as on all single-phase and three-phase versions. The single-phase equipment for compressor and fan is mounted and wired in the terminal box for easy installation.

Protection (class)

- Compressor, fan and differential oil pressure switch IP54
- High / Low pressure switch IP44
- All condensing units are supplied with a holding charge

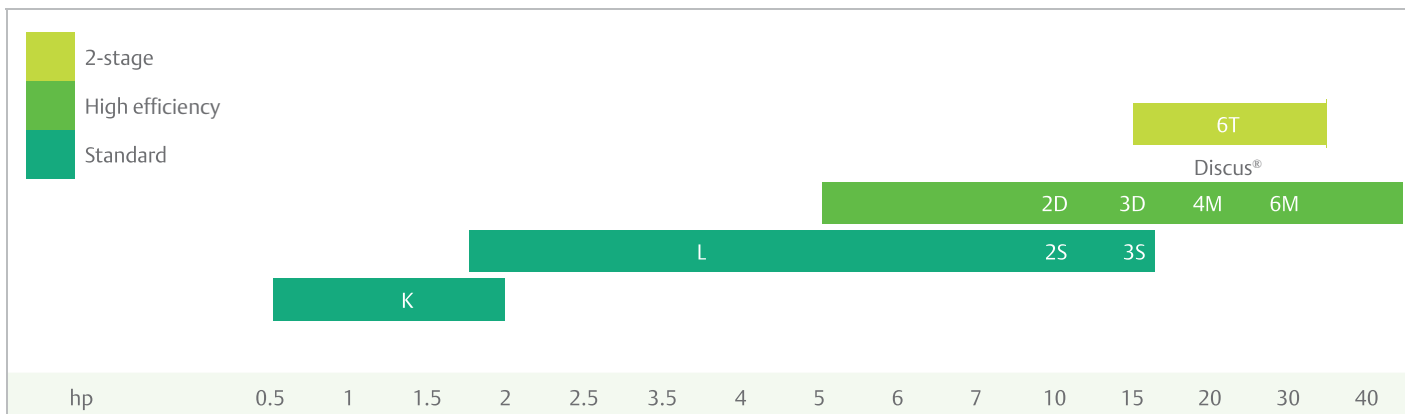
Optional accessories*

- Crankcase heater
- Unloaded start
- Filter drier
- Sight glass
- Suction accumulator
- Oil separator

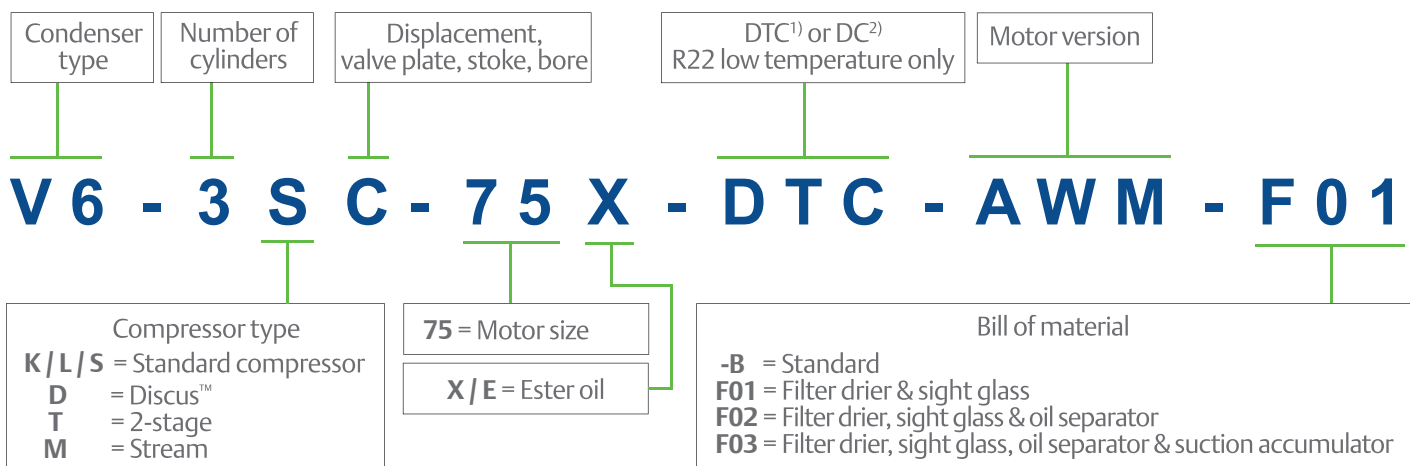
*The two-stage units with Z9 and Z12 condenser come with crankcase heater, oil separator, suction accumulator, liquid line with replaceable core filter drier and moisture indicator, differential oil pressure switch (OPS2), discharge line check valve, vibration absorber and sub-cooler assembly with integrated filter drier, moisture indicator, solenoid valve and expansion valve as a standard.

General information

Product range



Nomenclature



¹⁾ DTC: Discharge gas temperature protection valve
²⁾ Demand cooling



Maximum permissible operating and off-cycle pressures

Particular attention must be paid to the vapour pressures resulting from the ambient temperature (especially at standstill). The limits permitted for the compressor and other system components must not be exceeded.

The maximum operating pressures for each model are indicated on the corresponding data sheets and on the name plates. The condensing units must only be operated in the operating ranges approved.

Maximum operating pressures

Suction side = 22.5 bar gauge
(only during standstill)

Discharge side = 32.5 bar gauge

Refrigerant oils

Mineral oils are not miscible with HFCs, and thus cannot be used with HFCs. With HFC refrigerants, polyolester-lubricants (POE) must be used. However, handling these lubricants requires extra care to ensure the long life of the equipment.

Only the following oils are approved for use with R404A, R507, R407C, R134a, R22, R407A or R407F.

Lubricants

ICI Emkarate RL 32CF
Mobil EAL Arctic 22 CC

Speciality of POE oil

The residual moisture in the installation must be below 50 ppm, and should be verified after 48 hours of operation. To achieve this, it is necessary to install a properly

Compressor motors

Motor code	Power supply	Connection
Code	V(+/-10%) / ~ / Hz	
EWL ++	380-420 / 3 / 50	Y
AWM	380-420 / 3 / 50	YY/Y

YY/Y - Part winding start ratio is 2/3 : 1/3

Fan motors

Fan motor Ø, mm	Voltage V (+/- 10%) / ~ / Hz	Run capacitor µF / V	Power input W	Motor current A
300	230 / 1 / 50	2.5 / 450	85	0.38
350	230 / 1 / 50	4 / 450	110/130	0.45/0.6
420	230 / 1 / 50	7 / 400	235/280	1.15/1.25
500	230 / 1 / 50	10 / 450	400/570	1.85/2.48
500	400 / 3 / 50	-	690	1.35

dimensioned filter drier suitable for the respective refrigerant in each system. The correct evacuation techniques are required when commissioning or servicing the refrigeration system.

Oil identification

Condensing units designed for operation with R404A, R507, R407A, R407C, R134a or R22 are factory supplied with one of the approved oils and are suitably identified in several locations to prevent unauthorized lubricant oils from being filled into the system:

- The last figure in the motor size designation is replaced by an "X" in case the compressor contains POE oil.
- A sticker is attached to the compressor close to the oil filler neck.
- In addition to these identifications, the user must mark the refrigerant used in the system on the name plate.

Cooling capacity

The capacity data was compiled according to EN 12900 and is valid for 50 cycles (Hz) operation.

Condensing unit (Number of fans)		Ambient (°C)	Evaporating temperature °C										
			-40	-35	-30	-25	-20	-15	-10	-5	0	5	7
B8-KM-7X (1)	Q	32	0.34	0.51	0.70	0.93	1.18	1.47	1.80	2.17	2.58	3.02	3.20
		38	0.27	0.43	0.61	0.82	1.06	1.34	1.64	1.99	2.37	2.78	2.96
		43		0.36	0.54	0.74	0.97	1.22	1.52	1.84	2.20	2.59	2.76
		46		0.33	0.50	0.69	0.91	1.16	1.44	1.75	2.10	2.48	
		49		0.29	0.46	0.64	0.86	1.10	1.37	1.67	2.01		
	P	32	0.47	0.54	0.61	0.67	0.74	0.81	0.88	0.96	1.04	1.13	1.17
		38	0.45	0.53	0.60	0.68	0.76	0.84	0.92	1.01	1.10	1.20	1.25
		43		0.52	0.60	0.68	0.77	0.86	0.95	1.05	1.15	1.26	1.31
		46		0.51	0.59	0.68	0.77	0.87	0.97	1.07	1.18	1.30	
		49		0.50	0.59	0.68	0.78	0.88	0.98	1.09	1.21		
B8-KJ-7X (1)	Q	32	0.51	0.71	0.94	1.21	1.53	1.89	2.30	2.76			
		38	0.44	0.62	0.84	1.09	1.39	1.73	2.12	2.55			
		43	0.38	0.56	0.76	1.00	1.28	1.60					
		46	0.35	0.52	0.72	0.95	1.22						
		49		0.48	0.67								
	P	32	0.58	0.66	0.75	0.85	0.95	1.06	1.19	1.33			
		38	0.57	0.66	0.76	0.87	0.99	1.11	1.25	1.41			
		43	0.56	0.66	0.77	0.88	1.01	1.15					
		46	0.55	0.65	0.77	0.89	1.02						
		49		0.65	0.77								
B8-KJ-10X (1)	Q	32	0.52	0.71	0.95	1.23	1.55	1.93	2.34	2.80	3.29	3.81	4.03
		38	0.45	0.63	0.85	1.11	1.41	1.76	2.15	2.57	3.03	3.53	3.73
		43	0.39	0.56	0.77	1.01	1.30	1.62	1.99	2.39	2.83		
		46	0.35	0.52	0.72	0.96	1.23	1.54	1.89	2.28			
		49		0.48	0.67	0.90	1.16	1.46	1.80				
	P	32	0.59	0.67	0.76	0.85	0.95	1.06	1.17	1.28	1.41	1.54	1.59
		38	0.59	0.68	0.77	0.87	0.98	1.09	1.22	1.34	1.48	1.62	1.68
		43	0.58	0.67	0.77	0.88	1.00	1.12	1.25	1.39	1.54		
		46	0.58	0.67	0.77	0.89	1.00	1.13	1.27	1.41			
		49		0.67	0.77	0.89	1.01	1.14	1.29				
B8-KSJ-10X (1)	Q	32	0.70	0.94	1.22	1.54	1.91	2.33	2.80	3.33			
		38	0.62	0.85	1.10	1.41	1.75	2.15	2.60				
		43	0.55	0.77	1.01	1.30	1.63						
		46	0.52	0.72	0.96	1.24							
		49	0.48	0.68									
	P	32	0.74	0.85	0.97	1.09	1.22	1.37	1.55	1.75			
		38	0.73	0.85	0.98	1.12	1.27	1.43	1.62				
		43	0.72	0.85	0.99	1.14	1.30						
		46	0.71	0.85	1.00	1.15							
		49	0.71	0.85									
D8-KSJ-15X (1)	Q	32	0.75	0.99	1.30	1.67	2.11	2.61	3.17	3.77	4.43	5.13	5.43
		38	0.67	0.89	1.18	1.53	1.94	2.40	2.92	3.49	4.11		
		43	0.60	0.81	1.08	1.41	1.79	2.23	2.72	3.26			
		46	0.56	0.76	1.02	1.34	1.71	2.13	2.60	3.12			
		49	0.52	0.71	0.96	1.26	1.62	2.03	2.48	2.98			
	P	32	0.80	0.89	1.00	1.11	1.22	1.34	1.46	1.57	1.68	1.79	1.82
		38	0.79	0.90	1.01	1.14	1.27	1.40	1.53	1.66	1.79		
		43	0.78	0.90	1.02	1.16	1.30	1.44	1.59	1.73			
		46	0.77	0.89	1.02	1.17	1.31	1.46	1.62	1.77			
		49	0.76	0.89	1.03	1.17	1.33	1.49	1.65	1.81			
B8-KL-15X (1)	Q	32	0.79	1.06	1.37	1.74	2.16	2.62					
		38	0.69	0.95	1.24	1.58	1.97	2.42					
		43	0.61	0.85	1.13	1.46							
		46	0.57	0.80	1.07								
		49	0.52	0.74									
	P	32	0.87	1.00	1.14	1.28	1.44	1.61					
		38	0.87	1.01	1.16	1.32	1.48	1.66					
		43	0.86	1.01	1.17	1.34							
		46	0.85	1.01	1.18								
		49	0.84	1.01									
D8-KSL-20X (1)	Q	32	1.02	1.40	1.84	2.35	2.93	3.58	4.30				
		38	0.91	1.26	1.67	2.15	2.69	3.30					
		43	0.81	1.15	1.54	1.99	2.50	3.07					
		46	0.76	1.08	1.46	1.89	2.39						
		49	0.71	1.02	1.39								
	P	32	1.03	1.20	1.38	1.57	1.77	1.97	2.18				
		38	1.02	1.21	1.40	1.61	1.83	2.06					
		43	1.01	1.21	1.42	1.64	1.87	2.12					
		46	1.01	1.21	1.42	1.65	1.90						
		49	1.00	1.20	1.43								

* At 3K Subcooling, capacity increases by approximately 5%
 * Stated power values are inclusive of fan power

Condensing unit (Number of fans)		Ambient (°C)	Evaporating temperature °C										
			-40	-35	-30	-25	-20	-15	-10	-5	0	5	7
H8-KSL-20X (1)	Q	32	1.05	1.45	1.91	2.46	3.08	3.79	4.60	5.50			
		38	0.93	1.30	1.74	2.25	2.83	3.50	4.26				
		43	0.83	1.19	1.60	2.08	2.63	3.26					
		46	0.78	1.12	1.52	1.98	2.51	3.12					
		49	0.72	1.05	1.44	1.88	2.40						
	P	32	1.15	1.32	1.49	1.67	1.85	2.03	2.20	2.37			
		38	1.15	1.33	1.52	1.72	1.92	2.12	2.32				
		43	1.14	1.33	1.54	1.75	1.97	2.19					
		46	1.13	1.33	1.54	1.77	2.00	2.23					
		49	1.13	1.33	1.55	1.78	2.02						
H7-LF-20X (1)	Q	32	1.18	1.70	2.34	3.09	3.96	4.95					
		38	1.01	1.49	2.09	2.79	3.60	4.53					
		43	0.87	1.32	1.88	2.54	3.31	4.19					
		46	0.79	1.22	1.76	2.40	3.14						
		49	0.72	1.13	1.64								
	P	32	1.32	1.55	1.80	2.07	2.36	2.66		2.68	2.93		
		38	1.30	1.55	1.82	2.11	2.42	2.74		2.80			
		43	1.27	1.53	1.82	2.13	2.46	2.80		2.88			
		46	1.25	1.52	1.82	2.14	2.48						
		49	1.23	1.51	1.81								
H8-LE-20X (1)	Q	32	0.84	1.23	1.72	2.31	3.00	3.80	4.71	5.74	6.87	8.12	8.66
		38	0.69	1.06	1.51	2.06	2.71	3.45	4.30	5.26	6.33	7.51	8.00
		43	0.57	0.92	1.35	1.86	2.47	3.17	3.98	4.88	5.89		
		46	0.50	0.84	1.25	1.75	2.33	3.01	3.78	4.66	5.63		
		49		0.76	1.16	1.64	2.20	2.85	3.60	4.44	5.38		
	P	32	1.18	1.34	1.51	1.69	1.87	2.06	2.25	2.44	2.63	2.82	2.90
		38	1.15	1.32	1.50	1.70	1.91	2.12	2.34	2.56	2.77	2.99	3.08
		43	1.11	1.30	1.50	1.71	1.93	2.16	2.40	2.64	2.88		
		46	1.09	1.28	1.49	1.71	1.94	2.19	2.43	2.69	2.94		
		49		1.27	1.48	1.71	1.95	2.21	2.47	2.73	3.00		
H7-KSL-20X (1)	Q	32	1.04	1.43	1.89	2.42	3.03	3.72	4.50	5.36			
		38	0.92	1.29	1.72	2.22	2.79	3.43	4.16				
		43	0.83	1.17	1.58	2.05	2.59	3.20					
		46	0.77	1.11	1.50	1.95	2.47	3.06					
		49	0.72	1.04	1.42	1.86							
	P	32	1.03	1.20	1.37	1.55	1.74	1.92	2.11	2.30			
		38	1.02	1.21	1.40	1.60	1.81	2.02	2.23				
		43	1.01	1.21	1.41	1.63	1.85	2.09					
		46	1.01	1.21	1.42	1.65	1.88	2.13					
		49	1.00	1.20	1.43	1.66							
H8-LF-30X (1)	Q	32	1.22	1.73	2.38	3.17	4.09	5.12	6.27	7.52	8.86	10.30	10.85
		38	1.04	1.51	2.12	2.86	3.72	4.69	5.77	6.94	8.20	9.54	10.10
		43	0.90	1.34	1.91	2.61	3.42	4.34	5.36	6.48	7.67	8.93	
		46	0.82	1.24	1.79	2.46	3.25	4.14	5.13	6.20	7.35		
		49	0.74	1.14	1.68	2.32	3.08	3.94	4.89				
	P	32	1.45	1.67	1.91	2.17	2.44	2.72	2.99	3.27	3.54	3.81	3.91
		38	1.42	1.66	1.92	2.21	2.50	2.80	3.10	3.41	3.71	4.01	4.12
		43	1.40	1.65	1.93	2.23	2.54	2.86	3.19	3.52	3.84	4.16	
		46	1.38	1.64	1.93	2.24	2.56	2.89	3.23	3.58	3.92		
		49	1.36	1.63	1.92	2.24	2.58	2.92	3.27				
R6-LF-30X (2)	Q	32	1.26	1.79	2.47	3.31	4.31	5.45	6.72	8.14	9.68	11.34	12.04
		38	1.07	1.56	2.20	2.99	3.92	4.98	6.18	7.51	8.96	10.53	11.18
		43	0.92	1.38	1.99	2.73	3.60	4.61	5.75	7.00	8.38	9.86	10.48
		46	0.84	1.28	1.86	2.57	3.42	4.39	5.49	6.71	8.03	9.47	10.07
		49	0.76	1.18	1.74	2.43	3.24	4.18	5.24	6.41	7.69	9.08	9.66
	P	32	1.44	1.66	1.89	2.14	2.39	2.63	2.87	3.10	3.30	3.49	3.56
		38	1.42	1.65	1.91	2.18	2.45	2.73	3.00	3.26	3.50	3.73	3.81
		43	1.39	1.64	1.91	2.20	2.50	2.80	3.09	3.38	3.65	3.91	4.00
		46	1.37	1.63	1.91	2.21	2.52	2.84	3.15	3.45	3.74	4.01	4.11
		49	1.36	1.62	1.91	2.22	2.54	2.87	3.20	3.51	3.82	4.11	4.22
H8-LJ-20X (1)	Q	32	1.38	1.99	2.75	3.64	4.67						
		38	1.19	1.76	2.45	3.28	4.23						
		43	1.05	1.56	2.21	2.98	3.88						
		46	0.96	1.45	2.07	2.81	3.67						
		49	0.88	1.34	1.92								
	P	32	1.57	1.84	2.13	2.44	2.77						
		38	1.55	1.83	2.15	2.48	2.84						
		43	1.52	1.82	2.15	2.51	2.88						
		46	1.50	1.81	2.15	2.51	2.90						
		49	1.48	1.79	2.14								

* At 3K Subcooling, capacity increases by approximately 5%
 * Stated power values are inclusive of fan power

Condensing unit (Number of fans)		Ambient (°C)	Evaporating temperature °C										
			-40	-35	-30	-25	-20	-15	-10	-5	0	5	7
H8-LJ-30X (1)	Q	32	1.43	2.01	2.74	3.63	4.64	5.78	7.02	8.34	9.74	11.20	
		38	1.22	1.75	2.44	3.27	4.22	5.29	6.45	7.69	9.00		
		43	1.06	1.56	2.21	2.99	3.89	4.90	6.00	7.17			
		46	0.98	1.45	2.08	2.83	3.70	4.67	5.73	6.86			
		49	0.89	1.35	1.95	2.68	3.52	4.45	5.47				
	P	32	1.55	1.82	2.12	2.43	2.75	3.08	3.42	3.76	4.08	4.40	
		38	1.52	1.81	2.13	2.46	2.81	3.17	3.54	3.91	4.26		
		43	1.49	1.80	2.13	2.49	2.86	3.24	3.63	4.02			
		46	1.47	1.79	2.13	2.50	2.88	3.28	3.68	4.09			
		49	1.46	1.78	2.13	2.51	2.91	3.32	3.73				
R6-LJ-30X (2)	Q	32	1.48	2.08	2.87	3.82	4.94	6.20	7.61	9.14	10.78	12.53	13.26
		38	1.26	1.82	2.55	3.44	4.49	5.67	6.98	8.41	9.96	11.60	12.28
		43	1.10	1.62	2.31	3.14	4.13	5.24	6.48	7.84	9.29		
		46	1.00	1.51	2.17	2.97	3.92	5.00	6.19	7.50	8.90		
		49	0.92	1.40	2.03	2.81	3.72	4.76	5.91	7.17			
	P	32	1.54	1.81	2.09	2.39	2.69	2.98	3.27	3.55	3.80	4.03	4.11
		38	1.51	1.80	2.11	2.43	2.76	3.09	3.41	3.72	4.01	4.28	4.38
		43	1.48	1.79	2.12	2.46	2.81	3.17	3.52	3.86	4.18		
		46	1.47	1.78	2.12	2.48	2.84	3.21	3.58	3.93	4.27		
		49	1.45	1.77	2.12	2.49	2.87	3.25	3.63	4.01			
H8-LL-30X (1)	Q	32	1.88	2.63	3.52	4.56	5.74						
		38	1.63	2.34	3.17	4.14	5.25						
		43		2.10	2.89	3.81	4.86						
		46		1.95	2.72	3.61							
		49		1.82									
	P	32	1.92	2.24	2.59	2.98	3.41						
		38	1.91	2.25	2.63	3.06	3.52						
		43		2.26	2.67	3.11	3.61						
		46		2.26	2.68	3.15							
		49		2.26									
H8-LL-40X (1)	Q	32	1.92	2.63	3.51	4.55	5.74	7.04	8.46	9.96	11.55		
		38		2.33	3.16	4.13	5.25	6.47	7.80	9.21			
		43		2.10	2.88	3.80	4.85	6.02	7.27	8.60			
		46		1.96	2.72	3.61	4.63	5.75	6.96				
		49		1.83	2.56	3.43	4.41	5.49					
	P	32	1.94	2.25	2.59	2.96	3.36	3.78	4.24	4.72	5.23		
		38		2.27	2.63	3.02	3.45	3.92	4.41	4.93			
		43		2.27	2.65	3.07	3.53	4.02	4.54	5.10			
		46		2.28	2.67	3.10	3.57	4.08	4.62				
		49		2.28	2.69	3.13	3.62	4.14					
R6-LL-40X (2)	Q	32	2.00	2.77	3.70	4.85	6.17	7.66	9.30	11.08	12.99	15.01	15.85
		38		2.44	3.33	4.40	5.63	7.03	8.57	10.24	12.03		
		43		2.19	3.03	4.04	5.21	6.53	7.98	9.56	11.25		
		46		2.05	2.86	3.83	4.96	6.23	7.64	9.16			
		49		1.92	2.70	3.63	4.72	5.95	7.30	8.77			
	P	32	1.93	2.23	2.55	2.89	3.25	3.63	4.01	4.40	4.79	5.17	5.33
		38		2.25	2.59	2.97	3.36	3.77	4.20	4.63	5.07		
		43		2.26	2.62	3.02	3.45	3.89	4.35	4.82	5.30		
		46		2.26	2.64	3.05	3.49	3.95	4.43	4.93			
		49		2.27	2.66	3.08	3.54	4.02	4.52	5.03			
H8-LSG-40X (1)	Q	32	2.55	3.50	4.59	5.78	7.05						
		38	2.28	3.16	4.18	5.29	6.49						
		43	2.05	2.88	3.84	4.90							
		46	1.92	2.72									
		49	1.79										
	P	32	2.50	2.96	3.45	3.96	4.47						
		38	2.50	2.99	3.51	4.05	4.60						
		43	2.49	3.00	3.55	4.11							
		46	2.48	3.00									
		49	2.46										
M8-2SA-45X Air (1)	Q	32	2.52	3.43	4.47	5.68	7.04						
		38	2.24	3.10	4.09	5.22	6.50						
		43	1.67	2.83	3.77	4.85	6.07						
		46	1.53	2.68	3.59	4.63							
		49	1.39	2.53									
	P	32	2.34	2.75	3.18	3.64	4.13						
		38	2.32	2.77	3.24	3.75	4.28						
		43	2.31	2.78	3.28	3.82	4.40						
		46	2.29	2.78	3.31	3.87							
		49	2.27	2.78									

Q = Capacity in kW
P = Power input in kW
Rating at: 20°C Suction gas return, 0K Subcooling

20K Superheat

* At 3K Subcooling, capacity increases by approximately 5%
* Stated power values are inclusive of fan power

Condensing unit (Number of fans)		Ambient (°C)	Evaporating temperature °C											
			-45	-40	-35	-30	-25	-20	-15	-10	-5	0	5	7
R7-2SA-45X Air (2)	Q	32		2.60	3.54	4.65	5.93	7.41	9.09					
		38		2.31	3.20	4.25	5.46	6.85						
		43		2.08	2.93	3.92	5.07	6.39						
		46		1.58	2.77	3.73	4.84	6.12						
		49		1.44	2.61	3.54	4.62							
	P	32		2.57	2.97	3.38	3.81	4.26	4.73					
		38		2.56	3.00	3.45	3.93	4.42						
		43		2.54	3.01	3.50	4.01	4.55						
		46		2.53	3.01	3.52	4.06	4.62						
R6-2SA-55X (2)	Q	32						6.15	8.08	9.95	12.00	14.25	16.60	17.60
		38						5.60	7.22	9.18	11.05	13.10	15.30	16.15
		43							6.69	8.37	10.30	12.20		
		46							6.38	7.99	9.85			
		49							6.09	7.63				
	P	32						4.23	4.72	5.19	5.67	6.18	6.75	7.00
		38						4.32	4.88	5.42	5.97	6.54	7.16	7.42
		43							4.98	5.58	6.19	6.82		
		46							5.02	5.67	6.31			
R7-LHA-50X (2)	Q	32		3.23	4.35	5.65	7.16	8.89	10.85					
		38		2.56	3.96	5.20	6.62	8.25	10.09					
		43		2.27	3.31	4.83	6.18	7.72						
		46		2.10	3.11	4.27	5.92	7.42						
		49		1.94	2.91	4.04								
	P	32		3.30	3.78	4.29	4.82	5.38	5.98					
		38		3.30	3.82	4.37	4.96	5.58	6.24					
		43		3.29	3.84	4.43	5.06	5.73						
		46		3.29	3.85	4.46	5.12	5.82						
S9-2SC-65X (2)	Q	32						9.15	11.10	13.25	15.50	17.95	20.50	21.60
		38						7.94	9.74	11.85	13.85	16.05	18.30	19.25
		43							8.72	10.70	12.50	14.45	16.45	17.30
		46							8.11	9.78	11.70	13.50		
		49							7.51	9.07	10.85			
	P	32						5.78	6.40	7.05	7.71	8.39	9.09	9.37
		38						5.94	6.62	7.35	8.09	8.85	9.64	9.95
		43							6.82	7.60	8.41	9.24	10.10	10.45
		46							6.94	7.75	8.60	9.47		
S9-3SC-75X DTC (2)	Q	32	2.42	3.63	5.1	6.86	8.93	11.3	13.95	16.95	20.2			
		38	1.96	3.07	4.44	6.07	7.99	10.2	12.7	15.45				
		43		2.64	3.91	5.43	7.23	9.3						
		46		2.39	3.6	5.06	6.78							
		49		2.14	3.3									
	P	32	3.13	3.75	4.41	5.09	5.83	6.63	7.52	8.5	9.6			
		38	2.99	3.68	4.4	5.16	5.97	6.84	7.8	8.87				
		43		3.6	4.38	5.2	6.08	7.02						
		46		3.54	4.36	5.22	6.14							
V9-3SA-75X (2)	Q	32						9.47	11.85	14.60	17.70	21.20	25.00	26.60
		38						8.26	10.90	13.45	16.35	19.55	23.10	24.60
		43							9.76	12.50	15.20	18.25	21.60	23.00
		46							9.29	11.70	14.55	17.45		
		49							8.83	11.15	13.90			
	P	32						5.57	6.18	6.83	7.50	8.23	9.02	9.35
		38						5.71	6.40	7.13	7.91	8.74	9.64	10.00
		43							6.56	7.37	8.23	9.15	10.15	10.55
		46							6.66	7.51	8.42	9.40		
V6-3SC-75X-DTC (2)	Q	32	2.53	3.8	5.38	7.28	9.55	12.2	15.2	18.65	22.5			
		38	2.06	3.23	4.68	6.45	8.56	11.05	13.85	17.1	20.7			
		43		2.77	4.13	5.78	7.76	10.1	12.75	15.8	19.25			
		46		2.51	3.8	5.39	7.29	9.52	12.1					
		49		2.25	3.49	5	6.82							
	P	32	3.48	4.1	4.73	5.38	6.07	6.8	7.58	8.42	9.35			
		38	3.35	4.04	4.74	5.46	6.22	7.01	7.87	8.79	9.8			
		43		3.96	4.72	5.51	6.33	7.2	8.12	9.11	10.2			
		46		3.9	4.71	5.53	6.4	7.3	8.27					

20K Superheat * At 3K Subcooling, capacity increases by approximately 5%
* Stated power values are inclusive of fan power

Condensing unit (Number of fans)		Ambient (°C)	Evaporating temperature °C										
			-40	-35	-30	-25	-20	-15	-10	-5	0	5	7
V6-3SC-100X (2)	Q	32					11.85	14.70	18.05	21.80	26.10	30.90	32.90
		38					10.50	13.60	16.70	20.20	24.20	28.60	30.50
		43					9.76	12.35	15.60	18.90	22.60	26.80	28.50
		46						11.80	14.70	18.15	21.70	25.70	27.40
		49						11.30	14.05	17.40	20.80		
	P	32					7.02	7.70	8.39	9.10	9.84	10.60	10.95
		38					7.27	8.05	8.85	9.67	10.55	11.45	11.80
		43					7.45	8.31	9.21	10.15	11.10	12.10	12.50
		46						8.46	9.41	10.40	11.40	12.50	12.95
		49						8.60	9.61	10.65	11.75		
V6-3SS-100X-DTC (2)	Q	32	5.02	7.16	9.66	12.55	15.85	19.55	23.60	28.10			
		38	4.29	6.30	8.65	11.35	14.45	17.90	21.80	26.00			
		43	3.71	5.62	7.85	10.40	13.30	16.60					
		46	3.37	5.23	7.38	9.85	12.65						
		49	3.05	4.85	6.93								
	P	32	5.37	6.33	7.32	8.34	9.44	10.65	11.95	13.40			
		38	5.33	6.39	7.46	8.57	9.75	11.00	12.40	13.95			
		43	5.28	6.42	7.57	8.76	10.00	11.35					
		46	5.24	6.43	7.64	8.88	10.20						
		49	5.20	6.45	7.70								
W9-3SS-100X-DTC (2)	Q	32	5.05	7.20	9.72	12.65	15.95	19.70	23.90	28.50			
		38	4.31	6.34	8.71	11.45	14.55	18.05	22.00	26.30			
		43	3.72	5.65	7.90	10.50	13.40	16.75					
		46	3.39	5.26	7.43	9.92	12.75						
		49	3.06	4.88	6.97								
	P	32	5.37	6.33	7.31	8.33	9.42	10.60	11.90	13.35			
		38	5.33	6.38	7.45	8.56	9.72	11.00	12.35	13.85			
		43	5.28	6.42	7.56	8.75	9.99	11.30					
		46	5.24	6.43	7.63	8.86	10.15						
		49	5.20	6.45	7.70								
W9-3SS-150X (2)	Q	32					16.15	19.80	24.00	28.60	33.70	39.20	41.50
		38					14.45	17.95	22.20	26.50	31.20	36.30	38.50
		43						16.75	20.80	24.80	29.20	34.00	
		46						16.00	19.60	23.80			
		49						15.30	18.75				
	P	32					9.50	10.55	11.60	12.80	14.05	15.40	16.00
		38					9.78	10.95	12.15	13.50	14.90	16.45	17.10
		43						11.30	12.65	14.10	15.65	17.35	
		46						11.50	12.90	14.45			
		49						11.75	13.20				

Q = Capacity in kW
P = Power input in kW
Rating at: 20°C Suction gas return, 0K Subcooling

20K Superheat

* At 3K Subcooling, capacity increases by approximately 5%
* Stated power values are inclusive of fan power

Condensing unit (Number of fans)		Ambient (°C)	Evaporating temperature °C										
			-40	-35	-30	-25	-20	-15	-10	-5	0	5	7
R7-2DD-50X (2)	Q	32					5.93	7.57	9.43	11.50	13.80	16.35	17.45
		38					5.31	6.87	8.63	10.60	12.75	15.15	16.15
		43					4.80	6.29	7.96	9.84	11.90	14.15	15.10
		46						5.94	7.57	9.39	11.40	13.55	
		49						5.60	7.18	8.94	10.85		
	P	32					3.25	3.60	3.95	4.31	4.66	5.03	5.17
		38					3.33	3.72	4.13	4.54	4.95	5.37	5.55
		43					3.37	3.81	4.25	4.71	5.17	5.65	5.84
		46						3.85	4.32	4.80	5.30	5.80	
		49						3.88	4.38	4.89	5.42		
R7-2DL-75X (2)	Q	32					7.27	9.23	11.40	13.85	16.55	19.45	20.70
		38					6.62	8.48	10.55	12.85	15.40	18.15	19.30
		43						7.88	9.87	12.05	14.45		
		46						7.53	9.46	11.60			
		49						7.20	9.07				
	P	32					3.95	4.43	4.92	5.43	5.95	6.50	6.72
		38					4.08	4.61	5.16	5.73	6.32	6.93	7.18
		43						4.76	5.36	5.97	6.61		
		46						4.84	5.47	6.12			
		49						4.93	5.59				

Q = Capacity in kW
P = Power input in kW
Rating at: 20°C Suction gas return, 0K Subcooling

* At 3K Subcooling, capacity increases by approximately 5%
* Stated power values are inclusive of fan power

Condensing unit (Number of fans)		Ambient (°C)	Evaporating temperature °C										
			-40	-35	-30	-25	-20	-15	-10	-5	0	5	7
R7-2DB-50X DC (2)	Q	32	3.08	4.19	5.50	7.03	8.76	10.72	12.94				
		38	2.72	3.77	5.01	6.45	8.09	9.94	11.99				
		43	2.42	3.41	4.59	5.96	7.52	9.29					
		46	2.23	3.19	4.34	5.66	7.18						
		49	2.04	2.97	4.08								
	P	32	3.14	3.59	4.06	4.54	5.05	5.59	6.13				
		38	3.19	3.68	4.18	4.71	5.27	5.84	6.45				
		43	3.20	3.72	4.26	4.83	5.41	6.03					
		46	3.19	3.73	4.29	4.88	5.49						
		49	3.17	3.73	4.32								
S9-2DB-75X (2)	Q	32				9.33	11.55	14.05	16.80	19.80	23.10	24.50	
		38				8.59	10.70	13.00	15.60	18.45	21.50	22.80	
		43					9.97	12.20	14.65	17.30	20.20		
		46					9.55	11.70	14.05	16.65			
		49					9.14	11.20					
	P	32				4.84	5.36	5.89	6.44	7.00	7.59	7.83	
		38				5.05	5.63	6.22	6.84	7.47	8.12	8.39	
		43					5.84	6.49	7.15	7.84	8.55		
		46					5.97	6.64	7.34	8.06			
		49					6.09	6.80					
S9-3DA-75X (2)	Q	32				10.30	12.90	15.75	18.90	22.30	26.00	27.50	
		38				9.42	11.85	14.55	17.50	20.70	24.10	25.50	
		43					11.05	13.60	16.40	19.40			
		46					10.55	13.05	15.75				
		49					10.10	12.50					
	P	32				5.54	6.16	6.80	7.47	8.16	8.90	9.21	
		38				5.71	6.40	7.12	7.87	8.65	9.48	9.82	
		43					6.60	7.38	8.20	9.05			
		46					6.71	7.54	8.40				
		49					6.84	7.70					
R7-3DC-75X DC (2)	Q	32	4.19	5.59	7.26	9.23	11.50						
		38	3.74	5.05	6.62	8.47	10.61						
		43	3.36	4.60	6.09	7.84	9.88						
		46	3.13	4.33	5.77	7.47							
		49	2.90	4.06									
	P	32	3.86	4.49	5.19	5.98	6.87						
		38	3.84	4.53	5.30	6.16	7.12						
		43	3.79	4.54	5.36	6.27	7.29						
		46	3.75	4.53	5.39	6.33							
		49	3.70	4.51									
V6-3DC-100X (2)	Q	32				13.00	16.20	19.85	23.90	28.30	33.20	35.30	
		38				11.90	14.95	18.35	22.10	26.30	30.80	32.80	
		43				11.05	13.90	17.15	20.70	24.60	28.90	30.70	
		46					13.30	16.40	19.85	23.60	27.70		
		49					12.75	15.75	19.05				
	P	32				6.67	7.33	7.98	8.64	9.30	9.96	10.25	
		38				6.94	7.68	8.43	9.19	9.94	10.70	11.00	
		43				7.15	7.97	8.79	9.62	10.45	11.30	11.65	
		46					8.14	9.00	9.88	10.75	11.65		
		49					8.31	9.22	10.15				
S9-3DS-100X DC (2)	Q	32	5.64	7.62	9.89	12.49	15.45						
		38	4.94	6.84	9.01	11.50	14.32						
		43	4.38	6.22	8.32	10.71							
		46	4.06	5.87	7.92								
		49	3.74	5.53									
	P	32	5.28	6.19	7.14	8.18	9.32						
		38	5.31	6.30	7.33	8.44	9.67						
		43	5.33	6.38	7.49	8.67							
		46	5.35	6.44	7.58								
		49	5.36	6.50									
W9-3DS-150X (2)	Q	32				17.35	21.30	25.60	30.40	35.70	41.40	43.80	
		38				16.05	19.75	23.80	28.30	33.20	38.50	40.80	
		43					18.50	22.40	26.60	31.20			
		46					17.80	21.50	25.60				
		49					17.10	20.70					
	P	32				9.04	9.95	10.90	11.85	12.85	13.90	14.35	
		38				9.47	10.45	11.50	12.60	13.70	14.90	15.40	
		43					10.90	12.05	13.20	14.45			
		46					11.15	12.35	13.55				
		49					11.40	12.65					

Q = Capacity in kW
P = Power input in kW
Rating at: 20°C Suction gas return, 0K Subcooling

* At 3K Subcooling, capacity increases by approximately 5%
* Stated power values are inclusive of fan power

Condensing unit (Number of fans)		Ambient (°C)	Evaporating temperature °C										
			-40	-35	-30	-25	-20	-15	-10	-5	0	5	7
W9-4MF-13X DC (2)	Q	32	6.73	9.06	11.81	15.00	18.63						
		38	6.01	8.21	10.79	13.78	17.17						
		43	5.35	7.42	9.85	12.65	15.84						
		46	4.92	6.91	9.24	11.94	15.00						
		49	4.47	6.37	8.60								
	P	32	6.01	7.11	8.26	9.47	10.76						
		38	6.00	7.21	8.48	9.81	11.20						
		43	5.90	7.21	8.57	9.99	11.47						
		46	5.80	7.16	8.58	10.06	11.59						
		49	5.66	7.09	8.56								
Z9-4MA-22X (4)	Q	32				22.60	27.90	33.90	40.60	48.10	56.50	60.00	
		38				20.70	25.70	31.40	37.70	44.80	52.50	55.80	
		43				19.15	23.90	29.30	35.30	41.90	49.20	52.40	
		46					22.90	28.00	33.80	40.20	47.30	50.30	
		49						26.80	32.30	38.50			
	P	32				11.10	12.15	13.25	14.30	15.35	16.35	16.75	
		38				11.65	12.85	14.05	15.25	16.45	17.65	18.10	
		43				12.10	13.40	14.70	16.00	17.30	18.60	19.15	
		46					13.65	15.05	16.45	17.80	19.20	19.70	
		49						15.40	16.85	18.25			
W9-4ML-15X DC (2)	Q	32	9.01	11.92	15.21	18.80	22.62						
		38	8.19	10.95	14.09	17.53	21.17						
		43	7.44	10.09	13.10	16.40	19.90						
		46	6.97	9.55	12.48	15.70							
		49	6.48	8.98									
	P	32	7.87	9.22	10.64	12.12	13.59						
		38	8.06	9.49	11.02	12.59	14.18						
		43	8.15	9.66	11.27	12.93	14.62						
		46	8.17	9.73	11.39	13.11							
		49	8.17	9.79									
Z9-4MH-25X (4)	Q	32				26.00	31.90	38.50	45.80	54.00	63.00	66.80	
		38				24.00	29.60	35.80	42.70	50.30	58.60	62.20	
		43					27.60	33.50	40.00	47.20	55.00	58.30	
		46					26.50	32.10	38.40	45.30	52.80		
		49						30.80	36.80				
	P	32				13.10	14.40	15.75	17.10	18.45	19.80	20.40	
		38				13.80	15.25	16.70	18.20	19.70	21.20	21.80	
		43					15.90	17.50	19.10	20.70	22.40	23.00	
		46					16.30	17.90	19.60	21.30	23.00		
		49						18.35	20.10				
W9-4MM-20X DC (2)	Q	32	10.15	13.05	16.35	20.10	24.30						
		38	9.12	11.90	15.05	18.60	22.60						
		43	8.24	10.90	13.90	17.35	21.10						
		46	7.70	10.30	13.25								
		49	7.14	9.67									
	P	32	8.68	10.00	11.45	13.00	14.70						
		38	8.81	10.25	11.80	13.50	15.35						
		43	8.87	10.40	12.05	13.85	15.85						
		46	8.87	10.45	12.20								
		49	8.86	10.50									
Z9-4MI-30X (4)	Q	32				28.20	34.20	40.90	48.40	56.70	65.60	69.40	
		38				26.00	31.70	38.00	44.90	52.60	60.90	64.40	
		43					29.60	35.50	42.00	49.10	56.90	60.20	
		46						34.00	40.30	47.10			
		49						32.50	38.50				
	P	32				14.50	16.00	17.55	19.15	20.80	22.50	23.10	
		38				15.30	16.90	18.55	20.30	22.10	23.90	24.60	
		43					17.60	19.35	21.20	23.10	25.00	25.70	
		46						19.80	21.70	23.60			
		49						20.20	22.20				
W9-4MT-22X DC (2)	Q	32	11.25	14.45	18.05	22.20	26.70						
		38	10.10	13.15	16.60	20.50	24.90						
		43	9.13	12.05	15.40	19.10							
		46	8.52	11.40	14.60								
		49	7.90	10.70									
	P	32	9.65	11.15	12.80	14.60	16.60						
		38	9.79	11.40	13.20	15.15	17.30						
		43	9.85	11.60	13.45	15.55							
		46	9.85	11.65	13.60								
		49	9.83	11.70									

* At 3K Subcooling, capacity increases by approximately 5%
* Stated power values are inclusive of fan power

Condensing unit (Number of fans)		Ambient (°C)	Evaporating temperature °C										
			-40	-35	-30	-25	-20	-15	-10	-5	0	5	7
Z9-4MJ-33X (4)	Q	32					31.20	37.80	45.10	53.20	62.10	71.70	75.70
		38					28.80	35.00	41.80	49.40	57.50	66.40	70.20
		43						32.60	39.10	46.10	53.80	62.00	
		46							37.40	44.20	51.50		
		49											
	P	32					16.20	17.95	19.75	21.60	23.60	25.50	26.40
		38					17.05	18.95	20.90	22.90	24.90	27.10	27.90
		43						19.70	21.70	23.80	26.00	28.30	
		46							22.20	24.40	26.60		
		49											
Z9-4MU-25X DC (4)	Q	32	13.20	17.05	21.50	26.60	32.40						
		38	11.95	15.60	19.85	24.70	30.20						
		43	10.80	14.35	18.40	23.00	28.30						
		46	10.10	13.55	17.50	22.00	27.10						
		49	9.36	12.75	16.60								
	P	32	11.55	13.15	14.85	16.70	18.70						
		38	11.75	13.50	15.40	17.40	19.60						
		43	11.85	13.75	15.75	17.95	20.30						
		46	11.85	13.85	15.95	18.20	20.60						
		49	11.85	13.90	16.10								
Z12-4MK-35X (4)	Q	32					36.14	43.92	52.66	62.40	73.16	84.95	89.95
		38					33.40	40.73	48.89	57.95	67.93	78.85	83.48
		43						38.04	45.73	54.21	63.55	73.75	78.08
		46						36.43	43.82	51.97	60.91	70.68	74.83
		49						33.98	41.91	49.71	58.27		
	P	32					18.78	20.64	22.55	24.50	26.50	28.52	29.34
		38					19.78	21.79	23.87	26.00	28.17	30.37	31.26
		43						22.69	24.89	27.16	29.46	31.81	32.76
		46						23.21	25.48	27.81	30.20	32.63	33.61
		49						23.68	26.04	28.45	30.91		
Z9-6MM-30X DC (4)	Q	32	13.95	18.40	23.50	29.00	34.80						
		38	12.60	16.85	21.70	26.90	32.40						
		43	11.50	15.55	20.10	25.10	30.40						
		46	10.75	14.70	19.15	24.00	29.20						
		49	10.05	13.90	18.20								
	P	32	12.95	15.00	17.10	19.20	21.30						
		38	13.25	15.55	17.90	20.20	22.50						
		43	13.35	15.85	18.40	21.00	23.40						
		46	13.40	16.00	18.70	21.40	24.00						
		49	13.40	16.15	18.95								
Z12-6MI-40X (4)	Q	32					42.71	52.23	62.84	74.58	87.46	101.45	107.36
		38					39.29	48.28	58.23	69.19	81.17	94.18	99.67
		43						44.97	54.37	64.67	75.92	88.10	
		46						42.04	52.04	61.95	72.76		
		49						39.94	48.94				
	P	32					22.56	24.89	27.28	29.75	32.27	34.85	35.90
		38					23.72	26.25	28.86	31.55	34.30	37.11	38.25
		43						27.31	30.09	32.96	35.89	38.88	
		46						27.89	30.79	33.76	36.79		
		49						28.47	31.44				
Z12-6MU-40X DC (4)	Q	32	17.82	23.56	30.04	37.12	44.66						
		38	16.14	21.58	27.74	34.47	41.63						
		43	14.68	19.88	25.77	32.21	39.05						
		46	13.78	18.83	24.56	30.82	37.48						
		49	12.85	17.77	23.33								
	P	32	16.88	19.48	22.12	24.73	27.23						
		38	17.27	20.17	23.12	26.04	28.86						
		43	17.46	20.61	23.82	27.00	30.08						
		46	17.51	20.81	24.17	27.52	30.76						
		49	17.50	20.96	24.48								

Q = Capacity in kW
P = Power input in kW
Rating at: 20°C Suction gas return, 0K Subcooling

20K Superheat

* At 3K Subcooling, capacity increases by approximately 5%
* Stated power values are inclusive of fan power

Condensing unit (Number of fans)		Ambient (°C)	Evaporating temperature °C							
			-20	-15	-10	-5	0	5	7	10
B8-KJ-7X (1)	Q	32	0.98	1.26	1.57	1.93	2.33	2.78	2.97	3.27
		38	0.87	1.12	1.42	1.75	2.12	2.53	2.70	2.98
		43	0.78	1.02	1.29	1.60	1.94	2.32	2.48	2.74
		46	0.73	0.96	1.22	1.51	1.84	2.20	2.35	2.59
		49	0.67	0.90	1.14	1.42	1.73	2.08	2.22	2.45
	P	32	0.65	0.71	0.78	0.85	0.93	1.01	1.04	1.10
		38	0.67	0.74	0.82	0.90	0.99	1.09	1.13	1.20
		43	0.68	0.76	0.85	0.94	1.04	1.16	1.21	1.28
		46	0.69	0.77	0.87	0.97	1.08	1.20	1.25	1.33
		49	0.70	0.79	0.88	0.99	1.11	1.24	1.29	1.38
B8-KSJ-10X (1)	Q	32	1.20	1.54	1.92	2.36	2.85	3.39	3.63	3.99
		38	1.08	1.40	1.76	2.17	2.63	3.14	3.36	3.70
		43	0.98	1.28	1.62	2.01	2.45	2.93	3.13	3.45
		46	0.92	1.21	1.54	1.92	2.34	2.80	2.99	
		49	0.86	1.14	1.46	1.82	2.22			
	P	32	0.77	0.85	0.94	1.03	1.12	1.22	1.26	1.32
		38	0.79	0.88	0.98	1.08	1.18	1.29	1.34	1.41
		43	0.79	0.90	1.00	1.11	1.23	1.35	1.40	1.47
		46	0.80	0.91	1.02	1.13	1.25	1.38	1.43	
		49	0.80	0.91	1.03	1.15	1.28			
B8-KL-15X (1)	Q	32	1.38	1.75	2.16	2.63	3.14	3.70	3.93	4.30
		38	1.25	1.59	1.98	2.41	2.88	3.40	3.61	3.95
		43	1.14	1.47	1.83	2.23	2.67	3.15	3.35	3.66
		46	1.08	1.39	1.74	2.12	2.54	3.00		
		49	1.02	1.32	1.65	2.02	2.42			
	P	32	0.92	1.03	1.15	1.28	1.41	1.54	1.60	1.69
		38	0.95	1.07	1.21	1.34	1.49	1.64	1.70	1.79
		43	0.97	1.10	1.25	1.39	1.55	1.71	1.77	1.87
		46	0.98	1.12	1.27	1.42	1.58	1.75		
		49	0.99	1.13	1.29	1.45	1.61			
D8-KSL-20X (1)	Q	32	1.80	2.29	2.86	3.50	4.22	5.01	5.35	5.88
		38	1.63	2.09	2.62	3.22	3.88	4.62	4.93	5.43
		43	1.49	1.92	2.42	2.98	3.60	4.29	4.58	5.04
		46	1.40	1.82	2.30	2.83	3.43	4.09	4.37	4.81
		49	1.32	1.72	2.18	2.69	3.26	3.89		
	P	32	1.10	1.22	1.36	1.50	1.65	1.81	1.87	1.97
		38	1.11	1.25	1.40	1.55	1.72	1.89	1.97	2.08
		43	1.12	1.26	1.42	1.59	1.77	1.96	2.04	2.16
		46	1.12	1.27	1.44	1.61	1.80	2.00	2.08	2.21
		49	1.12	1.28	1.45	1.63	1.83	2.04		
H8-KSL-20X (1)	Q	32	1.86	2.38	2.99	3.69	4.49	5.39	5.78	6.39
		38	1.69	2.18	2.75	3.40	4.14	4.98	5.34	5.92
		43	1.54	2.01	2.54	3.15	3.85	4.64	4.98	5.51
		46	1.46	1.90	2.42	3.00	3.67	4.43	4.75	5.27
		49	1.37	1.80	2.29	2.85	3.49	4.22	4.53	5.02
	P	32	1.22	1.33	1.46	1.59	1.71	1.84	1.88	1.96
		38	1.23	1.36	1.50	1.65	1.79	1.94	2.00	2.09
		43	1.24	1.38	1.53	1.69	1.85	2.02	2.08	2.18
		46	1.24	1.39	1.55	1.71	1.88	2.06	2.13	2.24
		49	1.25	1.40	1.56	1.74	1.92	2.10	2.18	2.29
H7-KSL-20X (1)	Q	32	1.84	2.25	2.94	3.62	4.40	5.26	5.63	6.21
		38	1.67	2.15	2.70	3.33	4.05	4.85	5.20	5.74
		43	1.52	1.98	2.50	3.09	3.76	4.51	4.83	5.34
		46	1.44	1.87	2.37	2.94	3.58	4.30	4.61	5.10
		49	1.35	1.77	2.25	2.79	3.41	4.10	4.39	4.86
	P	32	1.09	1.21	1.34	1.48	1.61	1.75	1.80	1.88
		38	1.11	1.24	1.38	1.53	1.69	1.84	1.91	2.00
		43	1.12	1.26	1.41	1.58	1.74	1.92	1.99	2.09
		46	1.12	1.27	1.43	1.60	1.78	1.96	2.03	2.15
		49	1.12	1.27	1.44	1.62	1.81	2.00	2.08	2.20
H7-LF-20X (1)	Q	32	2.28	2.96	3.73	4.60	5.57	6.63	7.09	7.79
		38	2.02	2.65	3.37	4.18	5.08	6.06	6.48	7.13
		43	1.80	2.40	3.08	3.83	4.67	5.59	5.98	6.59
		46	1.68	2.26	2.91	3.63	4.43	5.31	5.68	6.26
		49	1.55	2.11	2.74	3.43	4.20	5.04		
	P	32	1.33	1.50	1.69	1.87	2.05	2.23	2.30	2.40
		38	1.35	1.55	1.75	1.95	2.15	2.34	2.42	2.53
		43	1.37	1.58	1.79	2.00	2.21	2.42	2.51	2.63
		46	1.38	1.59	1.81	2.03	2.25	2.47	2.55	2.68
		49	1.39	1.60	1.83	2.05	2.28	2.51		

* At 3K Subcooling, capacity increases by approximately 5%
* Stated power values are inclusive of fan power

Condensing unit (Number of fans)		Ambient (°C)	Evaporating temperature °C							
			-20	-15	-10	-5	0	5	7	10
H8-LJ-20X (1)	Q	32	2.68	3.41	4.26	5.21	6.27	7.45	7.95	8.73
		38	2.38	3.07	3.85	4.73	5.71	6.79	7.25	
		43	2.14	2.79	3.52	4.33	5.24	6.24	6.66	
		46	2.00	2.62	3.32	4.10	4.96	5.91		
		49	1.85	2.45	3.12	3.87	4.69			
	P	32	1.80	1.98	2.17	2.37	2.59	2.82	2.92	3.08
		38	1.83	2.03	2.25	2.48	2.73	2.99	3.10	
		43	1.85	2.07	2.31	2.56	2.83	3.12	3.24	
		46	1.86	2.09	2.34	2.60	2.89	3.19		
		49	1.87	2.11	2.36	2.64	2.94			
H8-LL-30X (1)	Q	32	3.22	4.17	5.23	6.43	7.76	9.21	9.82	10.75
		38	2.86	3.74	4.74	5.86	7.09	8.43	9.00	9.87
		43	2.56	3.40	4.35	5.39	6.55	7.80	8.32	9.13
		46	2.39	3.20	4.11	5.12	6.22	7.42		
		49	2.22	3.01	3.88	4.85	5.90			
	P	32	2.08	2.35	2.64	2.96	3.30	3.69	3.86	4.12
		38	2.11	2.41	2.73	3.08	3.47	3.90	4.08	4.37
		43	2.13	2.45	2.80	3.18	3.60	4.06	4.25	4.56
		46	2.15	2.47	2.84	3.23	3.67	4.15		
		49	2.15	2.49	2.87	3.28	3.74			
H8-LSG-40X (1)	Q	32	4.18	5.29	6.53	7.90	9.40	11.00	11.65	12.70
		38	3.78	4.82	5.97	7.25	8.63	10.10	10.70	
		43	3.45	4.43	5.52	6.72	8.01			
		46	3.25	4.21	5.26	6.40				
		49	3.06	3.99	5.00					
	P	32	2.52	2.87	3.24	3.65	4.09	4.56	4.76	5.07
		38	2.58	2.95	3.35	3.79	4.25	4.75	4.96	
		43	2.63	3.02	3.44	3.89	4.37			
		46	2.66	3.05	3.48	3.94				
		49	2.69	3.08	3.52					
M8-2SA-45X (1)	Q	32	4.18	5.30	6.61	8.12	9.79	11.60	12.40	13.55
		38	3.84	4.89	6.10	7.48	9.00	10.65	11.35	12.45
		43		4.53	5.66	6.93	8.33	9.86	10.50	11.50
		46		4.32	5.39	6.59	7.92	9.36	9.97	
		49		4.09	5.11	6.25	7.50			
	P	32	2.73	3.05	3.37	3.70	4.05	4.42	4.57	4.82
		38	2.78	3.13	3.49	3.86	4.25	4.66	4.83	5.09
		43		3.18	3.58	3.98	4.40	4.84	5.02	5.30
		46		3.21	3.62	4.04	4.48	4.94	5.13	
		49		3.22	3.65	4.10	4.55			
R7-2SA-45X (2)	Q	32	4.33	5.53	6.96	8.63	10.55	12.70	13.60	15.05
		38	3.99	5.11	6.44	7.98	9.73	11.70	12.55	13.85
		43	3.70	4.76	5.99	7.42	9.05	10.85	11.65	12.85
		46		4.54	5.72	7.09	8.63	10.35	11.10	12.25
		49		4.31	5.44	6.74	8.21	9.84	10.55	11.65
	P	32	2.94	3.22	3.50	3.78	4.07	4.36	4.48	4.66
		38	3.00	3.32	3.65	3.97	4.30	4.63	4.77	4.98
		43	3.03	3.39	3.75	4.11	4.47	4.84	4.99	5.22
		46		3.42	3.80	4.18	4.57	4.96	5.12	5.37
		49		3.44	3.84	4.25	4.66	5.07	5.24	5.50
R6-LHA-50X (1)	Q	32	5.19	6.54	8.09	9.83	11.75	13.85	14.70	16.05
		38	4.77	6.02	7.44	9.02	10.75	12.65	13.45	14.65
		43		5.57	6.88	8.34	9.95	11.65	12.40	13.50
		46		5.30	6.55	7.93	9.45	11.10	11.75	12.80
		49		5.03	6.21	7.52	8.95	10.50		
	P	32	3.25	3.67	4.10	4.56	5.03	5.51	5.70	6.00
		38	3.30	3.75	4.22	4.72	5.24	5.77	5.98	6.31
		43		3.80	4.31	4.84	5.40	5.97	6.20	6.55
		46		3.83	4.35	4.90	5.48	6.08	6.32	6.69
		49		3.85	4.39	4.96	5.56	6.18		
R7-LHA-50X (2)	Q	32	5.27	6.71	8.37	10.25	12.37	14.72	15.73	17.31
		38	4.76	6.12	7.68	9.44	11.41	13.60	14.54	16.01
		43	4.35	5.65	7.11	8.77	10.62	12.68	13.56	14.94
		46	4.11	5.36	6.78	8.37	10.15	12.13	12.98	
		49	3.88	5.09	6.45	7.98	9.69	11.59		
	P	32	3.15	3.50	3.87	4.26	4.67	5.10	5.28	5.56
		38	3.20	3.59	4.00	4.43	4.89	5.37	5.57	5.89
		43	3.23	3.64	4.09	4.56	5.06	5.58	5.80	6.14
		46	3.24	3.67	4.14	4.63	5.15	5.70	5.93	
		49	3.25	3.70	4.18	4.69	5.24	5.82		

* At 3K Subcooling, capacity increases by approximately 5%
* Stated power values are inclusive of fan power

Condensing unit (Number of fans)		Ambient (°C)	Evaporating temperature °C							
			-20	-15	-10	-5	0	5	7	10
S9-2SC-55X (2)	Q	32	5.37	6.80	8.48	10.40	12.60	15.00	16.05	17.65
		38	4.94	6.27	7.82	9.59	11.60	13.80	14.70	16.20
		43	4.58	5.82	7.26	8.89	10.75	12.75	13.60	15.00
		46		5.55	6.92	8.47	10.20	12.15	12.95	14.25
		49		5.27	6.57	8.05	9.70	11.50	12.30	13.50
	P	32	3.29	3.68	4.08	4.49	4.89	5.28	5.43	5.66
		38	3.35	3.78	4.23	4.68	5.14	5.59	5.76	6.03
		43	3.39	3.84	4.32	4.82	5.32	5.82	6.02	6.31
		46		3.87	4.37	4.89	5.42	5.95	6.16	6.47
		49		3.90	4.42	4.96	5.51	6.07	6.29	6.62
V9-2SK-65X (2)	Q	32	5.91	7.57	9.51	11.75	14.25	17.10	18.30	20.20
		38	5.45	6.99	8.79	10.85	13.20	15.80	16.90	18.65
		43	5.07	6.52	8.21	10.15	12.30	14.75	15.75	17.40
		46		6.24	7.86	9.71	11.80	14.10	15.10	16.65
		49		5.96	7.51	9.29	11.30	13.50	14.45	15.90
	P	32	3.77	4.18	4.61	5.04	5.49	5.94	6.13	6.42
		38	3.85	4.30	4.78	5.27	5.78	6.31	6.52	6.85
		43	3.89	4.39	4.91	5.45	6.01	6.59	6.83	7.19
		46		4.43	4.98	5.55	6.14	6.76	7.01	7.39
		49		4.47	5.04	5.64	6.27	6.92	7.18	7.59
S9-3SC-75X (2)	Q	32	6.96	8.77	10.90	13.30	16.05	19.10	20.40	22.40
		38	6.33	8.00	9.95	12.20	14.75	17.55	18.75	20.70
		43	5.81	7.37	9.20	11.30	13.70	16.35	17.45	19.25
		46		7.00	8.76	10.80	13.05	15.65	16.70	18.45
		49		6.64	8.33	10.30	12.50	14.95		
	P	32	4.25	4.78	5.36	5.99	6.68	7.44	7.77	
		38	4.29	4.86	5.49	6.17	6.92	7.74	8.10	
		43	4.29	4.91	5.58	6.31	7.10	7.98	8.36	
		46		4.93	5.62	6.38	7.21	8.12	8.51	
		49		4.94	5.66	6.45	7.31	8.26		
V6-3SC-75X (2)	Q	32	7.26	9.23	11.55	14.30	17.45	21.10	22.60	25.10
		38	6.63	8.44	10.60	13.10	16.05	19.35	20.80	23.10
		43	6.09	7.79	9.80	12.15	14.90	18.00	19.35	21.50
		46	5.76	7.40	9.33	11.60	14.20	17.20	18.50	20.60
		49		7.01	8.87	11.05	13.55	16.45	17.70	19.70
	P	32	4.55	5.05	5.58	6.14	6.74	7.39	7.66	8.09
		38	4.60	5.15	5.73	6.35	7.01	7.72	8.02	8.48
		43	4.62	5.21	5.84	6.51	7.22	7.98	8.30	8.81
		46	4.62	5.24	5.89	6.59	7.34	8.14	8.48	9.00
		49		5.26	5.94	6.67	7.45	8.29	8.64	9.19
V6-3SS-100X (2)	Q	32	9.30	11.80	14.75	18.15	22.00	26.30	28.10	31.00
		38	8.51	10.85	13.55	16.65	20.20	24.20	25.90	28.50
		43	7.86	10.05	12.55	15.50	18.80	22.50	24.00	26.50
		46		9.57	12.00	14.80	17.95	21.50	23.00	25.40
		49		9.12	11.45	14.10	17.15	20.50	22.00	24.20
	P	32	5.71	6.43	7.18	7.97	8.79	9.65	10.00	10.55
		38	5.79	6.58	7.41	8.27	9.17	10.10	10.50	11.10
		43	5.84	6.68	7.57	8.50	9.48	10.50	10.90	11.55
		46		6.74	7.66	8.64	9.65	10.70	11.15	11.80
		49		6.78	7.75	8.77	9.83	10.95	11.40	12.10
W9-3SS-100X (2)	Q	32	9.34	11.85	14.85	18.30	22.20	26.60	28.50	31.50
		38	8.56	10.90	13.65	16.80	20.40	24.50	26.20	28.90
		43	7.90	10.10	12.65	15.60	19.00	22.70	24.40	26.90
		46		9.63	12.10	14.90	18.15	21.70	23.30	25.70
		49		9.18	11.55	14.25	17.30	20.80	22.20	24.60
	P	32	5.71	6.42	7.16	7.94	8.74	9.58	9.92	10.45
		38	5.79	6.57	7.39	8.24	9.12	10.05	10.40	11.00
		43	5.83	6.68	7.56	8.48	9.43	10.45	10.85	11.45
		46		6.73	7.65	8.61	9.61	10.65	11.10	11.75
		49		6.78	7.74	8.74	9.79	10.90	11.35	12.00

Q = Capacity in kW
P = Power input in kW
Rating at: 20°C Suction gas return, 0K Subcooling

* At 3K Subcooling, capacity increases by approximately 5%
* Stated power values are inclusive of fan power

Condensing unit (Number of fans)		Ambient (°C)	Evaporating temperature °C							
			-20	-15	-10	-5	0	5	7	10
R7-2DB-50X (2)	Q	32	5.34	6.95	8.79	10.86	13.16	15.68	16.74	18.38
		38	4.80	6.32	8.03	9.95	12.06	14.36	15.33	16.82
		43	4.37	5.80	7.41	9.19	11.14	13.25	14.14	15.50
		46	4.12	5.50	7.03	8.73	10.59	12.58	13.42	
		49	3.87	5.20	6.66	8.27	10.03			
	P	32	3.04	3.43	3.83	4.24	4.65	5.06	5.23	5.48
		38	3.11	3.54	3.99	4.44	4.89	5.35	5.53	5.80
		43	3.16	3.62	4.09	4.58	5.07	5.55	5.74	6.03
		46	3.18	3.66	4.15	4.65	5.16	5.66	5.86	
		49	3.21	3.69	4.19	4.71	5.23			
R7-3DC-75X (2)	Q	32	7.27	9.26	11.49	13.97	16.68	19.59	20.80	22.66
		38	6.61	8.48	10.56	12.85	15.34	18.01	19.11	20.80
		43	6.07	7.84	9.80	11.93	14.24			
		46	5.76	7.47	9.35	11.39				
		49	5.45	7.11	8.91					
	P	32	4.10	4.64	5.20	5.78	6.38	7.01	7.26	7.65
		38	4.24	4.82	5.43	6.06	6.71	7.38	7.65	8.06
		43	4.35	4.95	5.60	6.27	6.96			
		46	4.41	5.03	5.69	6.38				
		49	4.47	5.10	5.77					
S9-3DS-100X (2)	Q	32	9.50	12.06	14.92	18.10	21.58	25.32	26.88	29.27
		38	8.74	11.16	13.85	16.82	20.05	23.50	24.93	
		43	8.15	10.46	13.01	15.80	18.82			
		46	7.82	10.07	12.54	15.22				
		49	7.50	9.70	12.08					
	P	32	5.16	5.93	6.73	7.57	8.44	9.35	9.72	10.28
		38	5.34	6.16	7.03	7.94	8.88	9.84	10.24	
		43	5.50	6.36	7.27	8.23	9.22			
		46	5.60	6.48	7.41	8.39				
		49	5.70	6.59	7.55					
W9-4MF-13X (2)	Q	32	12.51	15.85	19.73	24.13	29.01	34.33	36.57	40.03
		38	11.41	14.52	18.12	22.17	26.66	31.54	33.59	36.77
		43	10.50	13.43	16.78	20.54	24.70	29.22	31.12	34.05
		46	9.98	12.78	15.99	19.58	23.53	27.83	29.63	32.43
		49	9.46	12.15	15.20	18.61	22.37	26.44	28.15	30.80
	P	32	6.55	7.38	8.19	9.01	9.86	10.75	11.12	11.71
		38	6.77	7.68	8.59	9.52	10.48	11.49	11.91	12.57
		43	6.93	7.91	8.90	9.91	10.97	12.07	12.54	13.26
		46	7.01	8.03	9.07	10.14	11.25	12.42	12.90	13.66
		49	7.09	8.15	9.24	10.35	11.52	12.75	13.26	14.05

Q = Capacity in kW
P = Power input in kW
Rating at: 20°C Suction gas return, 0K Subcooling

* At 3K Subcooling, capacity increases by approximately 5%
* Stated power values are inclusive of fan power

Condensing unit (Number of fans)		Ambient (°C)	Evaporating temperature °C							
			-20	-15	-10	-5	0	5	7	10
W9-4ML-15X (2)	Q	32	14.89	18.77	23.17	28.08	33.47	39.31	41.76	45.54
		38	13.68	17.32	21.39	25.92	30.87	36.23	38.48	41.95
		43	12.69	16.11	19.91	24.11	28.70	33.66	35.74	38.95
		46	12.10	15.39	19.03	23.03	27.40	32.11	34.09	37.15
		49		14.67	18.14	21.95	26.09	30.56	32.44	35.34
	P	32	7.69	8.68	9.70	10.77	11.88	13.03	13.50	14.22
		38	7.95	9.03	10.16	11.33	12.54	13.80	14.31	15.10
		43	8.14	9.30	10.51	11.77	13.07	14.41	14.96	15.79
		46	8.24	9.45	10.71	12.02	13.37	14.76	15.33	16.20
		49		9.58	10.89	12.25	13.66	15.11	15.70	16.59
W9-4MM-20X (2)	Q	32	16.38	20.52	25.18	30.35	35.99	42.08	44.63	48.57
		38	15.06	18.95	23.27	28.04	33.24	38.83	41.18	44.80
		43	13.96	17.63	21.68	26.12	30.94	36.13	38.30	41.65
		46	13.30	16.83	20.72	24.96	29.56	34.50	36.57	39.76
		49		16.04	19.76	23.81	28.18	32.88	34.84	37.88
	P	32	8.52	9.59	10.73	11.94	13.22	14.55	15.11	15.96
		38	8.83	9.98	11.22	12.54	13.93	15.40	16.00	16.93
		43	9.06	10.28	11.60	13.01	14.50	16.07	16.71	17.70
		46	9.18	10.45	11.82	13.28	14.83	16.45	17.12	18.15
		49		10.61	12.02	13.54	15.14	16.83	17.52	18.59
W9-4MT-22X (2)	Q	32	18.54	23.06	28.08	33.59	39.54	45.88	48.52	52.55
		38	17.19	21.39	26.00	31.03	36.43	42.19	44.57	48.23
		43	16.07	19.99	24.27	28.89	33.84	39.10	41.28	44.63
		46		19.15	23.22	27.60	32.28	37.24	39.30	42.46
		49		18.31	22.17	26.30	30.71	35.38	37.32	40.29
	P	32	9.70	10.96	12.31	13.75	15.30	16.96	17.65	18.73
		38	10.06	11.40	12.86	14.41	16.08	17.86	18.60	19.75
		43	10.34	11.75	13.28	14.93	16.69	18.56	19.34	20.55
		46		11.95	13.52	15.22	17.04	18.97	19.77	21.02
		49		12.13	13.76	15.50	17.37	19.36	20.19	21.47
Z9-4MT-22X (4)	Q	32	19.61	24.67	30.50	37.14	44.61	52.92	56.47	62.04
		38	18.22	22.95	28.33	34.44	41.29	48.91	52.17	57.29
		43	17.07	21.51	26.53	32.18	38.52	45.57	48.58	53.31
		46	16.37	20.64	25.44	30.83	36.86	43.55	46.42	50.93
		49	15.67	19.77	24.34	29.47	35.19	41.54	44.26	48.54
	P	32	10.19	11.28	12.41	13.55	14.71	15.89	16.36	17.08
		38	10.58	11.79	13.04	14.32	15.64	16.98	17.52	18.34
		43	10.89	12.17	13.52	14.92	16.36	17.84	18.44	19.34
		46	11.06	12.39	13.80	15.26	16.78	18.33	18.96	19.92
		49	11.23	12.60	14.06	15.59	17.18	18.81	19.47	20.48
Z9-4MU-25X (4)	Q	32	21.05	26.72	33.29	40.73	49.00	58.03	61.83	67.72
		38	19.43	24.73	30.83	37.71	45.33	53.64	57.14	62.56
		43	18.08	23.07	28.77	35.17	42.24	49.94	53.18	58.20
		46	17.27	22.06	27.52	33.63	40.37	47.70	50.78	55.56
		49	16.46	21.05	26.26	32.07	38.48	45.44	48.37	52.91
	P	32	11.25	12.61	13.96	15.32	16.74	18.26	18.91	19.93
		38	11.65	13.14	14.62	16.13	17.70	19.37	20.08	21.19
		43	11.93	13.53	15.13	16.76	18.45	20.26	21.01	22.20
		46	12.07	13.74	15.41	17.11	18.89	20.77	21.56	22.79
		49	12.19	13.93	15.67	17.45	19.30	21.26	22.08	23.36
Z9-6MM-30X (4)	Q	32	25.28	31.76	39.15	47.45	56.64	66.68	70.92	77.49
		38	23.35	29.42	36.28	43.95	52.41	61.65	65.54	71.60
		43	21.73	27.45	33.87	41.02	48.88	57.44	61.05	66.67
		46	20.75	26.26	32.42	39.25	46.75	54.91	58.36	63.71
		49		25.07	30.96	37.48	44.62	52.38	55.65	60.75
	P	32	13.28	14.93	16.65	18.43	20.25	22.12	22.87	24.02
		38	13.76	15.56	17.44	19.39	21.40	23.47	24.30	25.57
		43	14.11	16.02	18.04	20.14	22.30	24.52	25.42	26.79
		46	14.30	16.28	18.37	20.55	22.81	25.12	26.06	27.49
		49		16.52	18.68	20.95	23.29	25.70	26.68	28.16
Z12-6MU-40X (4)	Q	32	31.84	40.03	49.23	59.53	71.01	83.71	89.12	97.58
		38	29.52	37.16	45.64	55.10	65.61	77.23	82.18	89.95
		43	27.63	34.80	42.69	51.44	61.13	71.84	76.42	83.59
		46	26.49	33.39	40.92	49.24	58.44	68.61	72.96	79.78
		49		31.96	39.14	47.03	55.75	65.38	69.49	75.96
	P	32	17.04	19.14	21.34	23.65	26.06	28.59	29.64	31.26
		38	17.62	19.91	22.33	24.86	27.50	30.27	31.41	33.17
		43	18.02	20.48	23.07	25.78	28.62	31.58	32.80	34.67
		46	18.22	20.78	23.48	26.30	29.25	32.33	33.59	35.54
		49		21.05	23.85	26.79	29.85	33.05	34.36	36.37

* At 3K Subcooling, capacity increases by approximately 5%
 * Stated power values are inclusive of fan power

Condensing unit (Number of fans)		Ambient (°C)	Evaporating temperature °C										
			-40	-35	-30	-25	-20	-15	-10	-5	0	5	7
B8-KM-7X (1)	Q	32	0.43	0.60	0.80	1.03	1.29	1.58	1.89	2.24	2.61	3.00	3.16
		38	0.35	0.51	0.70	0.91	1.14	1.40	1.69	2.00	2.34	2.69	
		43	0.29	0.44	0.61	0.80	1.02	1.25	1.52	1.80			
		46	0.26	0.40	0.56	0.74	0.95	1.17					
		49	0.22	0.36	0.51	0.68							
	P	32	0.52	0.60	0.68	0.76	0.85	0.93	1.01	1.10	1.18	1.26	1.30
		38	0.49	0.58	0.67	0.77	0.86	0.96	1.05	1.15	1.25	1.35	
		43	0.47	0.56	0.66	0.77	0.87	0.98	1.08	1.19			
		46	0.45	0.55	0.65	0.76	0.87	0.99					
		49	0.43	0.54	0.65	0.76							
B8-KJ-7X (1)	Q	32	0.61	0.83	1.07	1.35	1.66						
		38	0.52	0.71	0.94	1.19	1.47						
		43	0.44	0.62	0.83	1.05	1.31						
		46	0.40	0.57	0.76	0.98	1.22						
		49	0.35	0.51	0.69								
	P	32	0.70	0.79	0.88	0.98	1.09						
		38	0.66	0.77	0.88	1.00	1.12						
		43	0.63	0.75	0.87	1.00	1.14						
		46	0.61	0.73	0.87	1.01	1.16						
		49	0.59	0.72	0.86								
B8-KJ-10X (1)	Q	32	0.58	0.80	1.05	1.34	1.66	2.00	2.38	2.77	3.19	3.62	
		38	0.48	0.69	0.92	1.18	1.46	1.77	2.11	2.47			
		43	0.40	0.59	0.81	1.04	1.31	1.59					
		46	0.36	0.54	0.75	0.97	1.21						
		49	0.32	0.49	0.68								
	P	32	0.66	0.77	0.88	1.00	1.12	1.25	1.38	1.52	1.66	1.81	
		38	0.64	0.76	0.88	1.01	1.15	1.28	1.43	1.58			
		43	0.63	0.75	0.88	1.02	1.16	1.31					
		46	0.62	0.74	0.88	1.02	1.16						
		49	0.61	0.74	0.87								
B8-KSJ-10X (1)	Q	32	0.80	1.05	1.34	1.67							
		38	0.68	0.91	1.17	1.47							
		43	0.58	0.79	1.03	1.30							
		46	0.51	0.72	0.95	1.21							
		49	0.45	0.65									
	P	32	0.91	1.02	1.15	1.30							
		38	0.89	1.01	1.16	1.33							
		43	0.86	1.00	1.17	1.35							
		46	0.84	1.00	1.17	1.36							
		49	0.82	0.99									
D8-KSJ-15X (1)	Q	32	0.82	1.11	1.43	1.81	2.24	2.71	3.24	3.82			
		38	0.71	0.97	1.27	1.61	1.99	2.43	2.91				
		43	0.61	0.86	1.13	1.44	1.79	2.19	2.63				
		46	0.56	0.79	1.05	1.34	1.68	2.05					
		49	0.50	0.72	0.97	1.25							
	P	32	0.83	0.97	1.12	1.27	1.43	1.59	1.75	1.91			
		38	0.82	0.96	1.11	1.28	1.46	1.64	1.82				
		43	0.81	0.95	1.11	1.29	1.48	1.67	1.87				
		46	0.80	0.95	1.12	1.30	1.49	1.69					
		49	0.80	0.95	1.12	1.30							
B8-KL-15X (1)	Q	32	0.93	1.21	1.53	1.88	2.26						
		38	0.80	1.05	1.34	1.66							
		43	0.69	0.93	1.19	1.49							
		46	0.63	0.86	1.10								
		49	0.57										
	P	32	0.99	1.12	1.27	1.44	1.64						
		38	0.98	1.12	1.29	1.48							
		43	0.96	1.12	1.30	1.51							
		46	0.95	1.12	1.31								
		49	0.93										
D8-KSL-20X (1)	Q	32	1.19	1.58	2.02	2.52	3.08	3.68	4.33				
		38	1.03	1.39	1.79	2.25	2.75	3.30					
		43	0.90	1.23	1.60	2.02	2.48						
		46	0.82	1.14	1.49	1.88							
		49	0.75	1.04									
	P	32	1.14	1.34	1.54	1.77	2.01	2.27	2.55				
		38	1.13	1.34	1.56	1.80	2.06	2.34					
		43	1.11	1.33	1.57	1.83	2.10						
		46	1.10	1.33	1.57	1.84							
		49	1.09	1.33									

* At 3K Subcooling, capacity increases by approximately 5%
 * Stated power values are inclusive of fan power

Condensing unit (Number of fans)		Ambient (°C)	Evaporating temperature °C										
			-40	-35	-30	-25	-20	-15	-10	-5	0	5	7
H8-KSL-20X (1)	Q	32	1.24	1.66	2.15	2.70	3.33	4.04	4.82	5.67			
		38	1.07	1.46	1.90	2.41	2.99	3.63	4.34				
		43	0.94	1.30	1.71	2.17	2.70	3.29					
		46	0.86	1.20	1.59	2.03	2.53	3.09					
		49	0.78	1.10	1.47	1.89							
	P	32	1.27	1.46	1.66	1.87	2.09	2.32	2.56	2.81			
		38	1.26	1.46	1.68	1.91	2.15	2.40	2.67				
		43	1.24	1.46	1.69	1.93	2.20	2.47					
		46	1.23	1.46	1.69	1.95	2.22	2.51					
		49	1.22	1.45	1.70	1.96							
H7-LF-20X (1)	Q	32	1.19	1.73	2.34	3.02	3.77			5.76			
		38	0.94	1.43	1.98	2.60	3.28						
		43		1.19	1.70	2.27	2.89						
		46		1.06	1.54	2.07	2.66						
		49		0.93	1.38								
	P	32	1.23	1.49	1.77	2.06				2.79			
		38	1.21	1.48	1.77	2.07							
		43		1.47	1.76	2.08							
		46		1.45	1.76	2.08							
		49		1.44	1.75								
H8-LE-20X (1)	Q	32	0.86	1.33	1.88	2.50	3.20	3.98	4.83	5.76	6.77	7.84	8.29
		38	0.60	1.05	1.56	2.14	2.78	3.48	4.26	5.10	6.00	6.97	
		43		0.82	1.30	1.84	2.43	3.07	3.78	4.54			
		46		0.69	1.15	1.66	2.22	2.83	3.49				
		49			1.00	1.48	2.01						
	P	32	1.05	1.24	1.44	1.64	1.85	2.07	2.30	2.53	2.77	3.01	3.12
		38	0.99	1.18	1.40	1.62	1.86	2.10	2.36	2.62	2.88	3.16	
		43		1.12	1.35	1.59	1.85	2.12	2.39	2.68			
		46		1.08	1.32	1.57	1.84	2.12	2.41				
		49			1.28	1.54	1.82						
H7-KSL-20X (1)	Q	32	1.22	1.63	2.10	2.64	3.24	3.91	4.64				
		38	1.06	1.43	1.86	2.35	2.90	3.51	4.18				
		43	0.93	1.27	1.67	2.12	2.64	3.18					
		46	0.85	1.18	1.55	1.98	2.46						
		49	0.77	1.08	1.44								
	P	32	1.15	1.34	1.54	1.75	1.98	2.22	2.48				
		38	1.13	1.34	1.56	1.79	2.04	2.30	2.58				
		43	1.12	1.33	1.57	1.81	2.08	2.36					
		46	1.11	1.33	1.57	1.83	2.11						
		49	1.10	1.33	1.58								
H8-LF-30X (1)	Q	32	1.52	2.15	2.89	3.74	4.70	5.78	6.98	8.30	9.74	11.30	11.95
		38	1.25	1.84	2.51	3.28	4.16	5.14	6.23	7.44	8.75		
		43	1.03	1.58	2.20	2.91	3.71	4.61	5.62	6.73			
		46	0.90	1.42	2.01	2.69	3.45	4.30	5.25				
		49	0.77	1.27	1.83	2.47	3.18						
	P	32	1.59	1.85	2.11	2.37	2.63	2.89	3.15	3.41	3.68	3.95	4.05
		38	1.54	1.82	2.11	2.39	2.68	2.98	3.27	3.57	3.87		
		43	1.47	1.77	2.08	2.39	2.71	3.02	3.34	3.67			
		46	1.43	1.74	2.06	2.38	2.71	3.04	3.38				
		49	1.39	1.70	2.03	2.36	2.70						
R6-LF-30X (2)	Q	32	1.51	2.14	2.87	3.71	4.66	5.72	6.90	8.19	9.60	11.10	11.75
		38	1.24	1.82	2.49	3.26	4.12	5.09	6.16	7.34	8.62		
		43	1.02	1.56	2.18	2.89	3.68	4.57	5.55	6.63			
		46	0.90	1.41	2.00	2.67	3.42	4.26	5.19				
		49	0.77	1.26	1.81	2.45	3.15						
	P	32	1.59	1.85	2.11	2.37	2.64	2.90	3.16	3.43	3.71	3.99	4.10
		38	1.53	1.81	2.10	2.39	2.69	2.98	3.28	3.58	3.89		
		43	1.47	1.77	2.08	2.39	2.71	3.03	3.35	3.68			
		46	1.43	1.74	2.06	2.38	2.71	3.04	3.38				
		49	1.38	1.70	2.03	2.36	2.70						
H8-LJ-20X (1)	Q	32	1.41	2.09	2.86	3.71							
		38	1.10	1.72	2.43	3.22							
		43		1.42	2.08	2.81							
		46		1.25	1.87	2.57							
		49		1.08	1.67								
	P	32	1.50	1.82	2.15	2.51							
		38	1.42	1.76	2.13	2.51							
		43		1.70	2.09	2.50							
		46		1.66	2.06	2.49							
		49		1.61	2.03								

* At 3K Subcooling, capacity increases by approximately 5%
 * Stated power values are inclusive of fan power

Condensing unit (Number of fans)		Ambient (°C)	Evaporating temperature °C										
			-40	-35	-30	-25	-20	-15	-10	-5	0	5	7
H8-LJ-30X (1)	Q	32	1.62	2.26	2.99	3.80	4.71	5.69	6.75	7.89	9.08		
		38	1.32	1.91	2.57	3.32	4.13	5.03	5.99	7.02			
		43	1.07	1.62	2.23	2.91	3.66	4.48					
		46	0.93	1.45	2.03	2.68	3.38						
		49	0.78	1.28	1.83								
	P	32	1.70	2.02	2.35	2.69	3.04	3.40	3.77	4.15	4.54		
		38	1.63	1.97	2.33	2.70	3.09	3.48	3.89	4.30			
		43	1.57	1.93	2.31	2.71	3.12	3.54					
		46	1.54	1.91	2.30	2.71	3.14						
		49	1.51	1.89	2.30								
R6-LJ-30X (2)	Q	32	1.71	2.40	3.20	4.11	5.14	6.30	7.58	8.99	10.51	12.14	12.83
		38	1.39	2.03	2.76	3.59	4.53	5.58	6.74	8.02	9.41		
		43	1.13	1.72	2.39	3.16	4.02	4.98	6.05	7.22			
		46	0.98	1.54	2.18	2.90	3.72	4.63	5.64				
		49	0.83	1.36	1.97	2.65	3.42						
	P	32	1.71	2.02	2.34	2.67	2.99	3.31	3.63	3.94	4.25	4.55	4.66
		38	1.64	1.98	2.33	2.68	3.04	3.40	3.76	4.12	4.47		
		43	1.57	1.93	2.31	2.69	3.08	3.47	3.86	4.25			
		46	1.54	1.91	2.30	2.69	3.10	3.51	3.92				
		49	1.51	1.89	2.29	2.70	3.12						
H8-LL-30X (1)	Q	32	1.92	2.73	3.63	4.62	5.71						
		38	1.54	2.28	3.11	4.02	5.01						
		43	1.24	1.92	2.69	3.53	4.44						
		46	1.06	1.71	2.44	3.24							
		49		1.50									
	P	32	1.84	2.23	2.65	3.11	3.61						
		38	1.75	2.16	2.62	3.12	3.66						
		43	1.64	2.09	2.57	3.10	3.68						
		46	1.57	2.04	2.54	3.09							
		49		1.97									
R6-LL-40X (2)	Q	32	2.01	2.75	3.61	4.58	5.65	6.81	8.07	9.39			
		38	1.66	2.34	3.12	4.00	4.97	6.03					
		43	1.38	2.00	2.72	3.52	4.41						
		46	1.21	1.80	2.48	3.23							
		49	1.04	1.60									
	P	32	2.05	2.40	2.78	3.21	3.67	4.17	4.72	5.32			
		38	1.96	2.35	2.78	3.24	3.74	4.28					
		43	1.84	2.27	2.73	3.22	3.75						
		46	1.74	2.19	2.67	3.18							
		49	1.62	2.08									
H8-LSG-40X (1)	Q	32	2.49	3.41	4.42	5.52	6.70						
		38	2.06	2.89	3.82	4.82	5.89						
		43	1.70	2.48	3.32	4.24							
		46	1.50	2.23	3.04								
		49	1.30	1.99									
	P	32	2.34	2.80	3.32	3.89	4.52						
		38	2.25	2.75	3.31	3.92	4.59						
		43	2.16	2.69	3.28	3.92							
		46	2.10	2.65	3.25								
		49	2.03	2.59									
M8-2SA-45X (1)	Q	32	2.37	3.22	4.49	5.60	6.79	8.07	9.41				
		38	1.97	2.74	3.94	4.94	6.01	7.16					
		43	1.65	2.36	3.13	4.39							
		46	1.46	2.13	2.85								
		49	1.28										
	P	32	2.63	3.14	3.69	4.27	4.89	5.55	6.24				
		38	2.57	3.12	3.70	4.32	4.98	5.69					
		43	2.52	3.08	3.69	4.34							
		46	2.48	3.06	3.68								
		49	2.45										

0°C Suction gas return

* At 3K Subcooling, capacity increases by approximately 5%

* Stated power values are inclusive of fan power

Condensing unit (Number of fans)		Ambient (°C)	Evaporating temperature °C											
			-40	-35	-30	-25	-20	-15	-10	-5	0	5	7	
R7-2SA-45X (2)	Q	32	2.53	3.73	4.85	6.12	7.53	9.09	10.80	12.60				
		38	2.11	2.96	4.27	5.42	6.70	8.11	9.64	11.30				
		43	1.77	2.55	3.79	4.84	6.01	7.30						
		46	1.57	2.31	3.13	4.50	5.60							
		49	1.38	2.07	2.84									
	P	32	2.88	3.38	3.90	4.45	5.01	5.59	6.19	6.81				
		38	2.83	3.36	3.93	4.52	5.14	5.77	6.44	7.12				
		43	2.78	3.34	3.93	4.56	5.22	5.90						
		46	2.74	3.31	3.93	4.57	5.26							
		49	2.70	3.29	3.92									
R6-LHA-50X (2)	Q	32	2.70	4.07	5.32	6.71	8.23	9.87	11.60	13.40				
		38	2.23	3.52	4.65	5.90	7.27	8.74						
		43	1.85	2.70	4.09	5.23								
		46	1.63	2.43	3.76									
		49	1.41	2.15										
	P	32	3.08	3.71	4.38	5.08	5.81	6.57	7.37	8.20				
		38	2.97	3.64	4.35	5.09	5.86	6.66						
		43	2.85	3.55	4.28	5.05								
		46	2.77	3.48	4.22									
		49	2.67	3.40										
S9-2SC-55X (2)	Q	32	3.13	4.32	5.70	7.28	9.04	11.00	13.15	15.45				
		38	2.36	3.75	5.00	6.43	8.04	9.81	11.75	13.85				
		43	1.96	2.90	4.42	5.72	7.19	8.80						
		46	1.73	2.61	4.07	5.30	6.67							
		49	1.51	2.32	3.72									
	P	32	3.17	3.80	4.45	5.12	5.80	6.49	7.20	7.93				
		38	3.07	3.75	4.44	5.16	5.90	6.65	7.42	8.21				
		43	2.96	3.67	4.39	5.15	5.93	6.72						
		46	2.88	3.60	4.34	5.12	5.92							
		49	2.78	3.52	4.28									
S9-2SC-65X (2)	Q	32			5.74	7.31	9.05	10.95	13.05	15.25	17.60	20.10	21.10	
		38			5.04	6.49	8.08	9.80	11.65	13.65	15.70			
		43			4.47	5.83	7.28	8.85						
		46				5.43	6.81							
		49												
	P	32			4.63	5.19	5.79	6.43	7.09	7.77	8.48	9.20	9.49	
		38			4.70	5.30	5.96	6.65	7.39	8.15	8.93			
		43			4.77	5.41	6.10	6.85						
		46				5.48	6.20							
		49												
R7-LHA-50X (2)	Q	32	3.64	4.80	6.12	7.62	9.28	11.09						
		38	3.18	4.23	5.45	6.81	8.32							
		43	2.80	3.78	4.89	6.14	7.53							
		46	2.57	3.50	4.56	5.75								
		49	2.35	3.23										
	P	32	3.63	4.20	4.79	5.41	6.06	6.74						
		38	3.60	4.20	4.84	5.50	6.19							
		43	3.56	4.19	4.85	5.55	6.28							
		46	3.53	4.18	4.86	5.57								
		49	3.49	4.16										
V9-2SK-65X (2)	Q	32	3.39	5.18	6.85	8.73	10.80	13.10	15.60	18.30				
		38	2.78	4.10	6.04	7.75	9.65	11.75	14.00	16.45				
		43	2.31	3.53	5.38	6.95	8.69	10.60						
		46	2.04	3.20	4.47	6.49	8.13							
		49	1.77	2.88	4.08									
	P	32	3.77	4.45	5.16	5.91	6.70	7.53	8.41	9.36				
		38	3.73	4.45	5.22	6.02	6.87	7.77	8.72	9.73				
		43	3.68	4.44	5.24	6.09	6.99	7.94						
		46	3.65	4.43	5.25	6.13	7.05							
		49	3.62	4.42	5.26									
V9-3SA-75X (2)	Q	32	6.54	8.40	10.50	12.85	15.40	18.10	21.00	24.00	25.30			
		38	5.70	7.40	9.31	11.40	13.65	16.10	18.65					
		43	5.00	6.57	8.31	10.20	12.25							
		46		6.07	7.71									
		49												
	P	32	4.67	5.38	6.12	6.90	7.69	8.49	9.29	10.05	10.35			
		38	4.65	5.40	6.20	7.03	7.89	8.75	9.61					
		43	4.60	5.38	6.22	7.09	8.00							
		46		5.35	6.21									
		49												

□ 0°C Suction gas return

* At 3K Subcooling, capacity increases by approximately 5%

* Stated power values are inclusive of fan power

Condensing unit (Number of fans)		Ambient (°C)	Evaporating temperature °C										
			-40	-35	-30	-25	-20	-15	-10	-5	0	5	7
S9-3SC-75X (2)	Q	32	3.76	5.65	7.36	9.31	11.45	13.80	16.30	18.95			
		38	3.14	4.39	6.42	8.14	10.05	12.15	14.35				
		43	2.66	3.76	5.64	7.19	8.90						
		46	2.39	3.40	4.56	6.62							
		49	2.13	3.05									
	P	32	4.03	4.84	5.70	6.63	7.60	8.62	9.68	10.80			
		38	4.00	4.83	5.74	6.70	7.72	8.79	9.90				
		43	3.96	4.81	5.74	6.74	7.79						
		46	3.93	4.79	5.74	6.75							
		49	3.89	4.77									
V6-3SC-75X (2)	Q	32	3.99	6.03	7.96	10.20	12.80	15.65	18.85	22.30			
		38	3.34	5.23	6.96	8.97	11.25	13.85	16.70	19.85			
		43	2.83	4.05	6.14	7.95	10.05	12.35	14.95	17.85			
		46	2.54	3.67	5.66	7.35	9.29	11.50					
		49	2.27	3.30	4.52	6.75							
	P	32	4.36	5.16	6.00	6.88	7.79	8.71	9.66	10.60			
		38	4.34	5.17	6.05	6.98	7.95	8.94	9.95	11.00			
		43	4.30	5.15	6.07	7.04	8.05	9.10	10.15	11.25			
		46	4.27	5.14	6.07	7.06	8.10	9.18					
		49	4.24	5.12	6.07	7.08							
V6-3SC-100X (2)	Q	32			8.41	10.70	13.35	16.25	19.40	22.80	26.50	30.30	31.90
		38			7.43	9.54	11.90	14.50	17.35	20.40	23.70	27.10	
		43			6.60	8.56	10.70	13.10	15.65				
		46				7.97	10.00	12.20					
		49				7.38							
	P	32			6.06	6.87	7.73	8.61	9.50	10.40	11.30	12.15	12.50
		38			6.09	6.97	7.90	8.86	9.83	10.80	11.80	12.75	
		43			6.08	7.01	8.00	9.02	10.05				
		46				7.02	8.04	9.10					
		49				7.01							
V6-3SS-100X (2)	Q	32	5.85	8.48	10.90	13.65	16.65	19.95	23.50	27.40			
		38	4.99	6.88	9.74	12.25	14.95	17.95	21.20	24.60			
		43	4.30	6.06	8.78	11.05	13.55	16.25					
		46	3.90	5.57	7.38	10.35							
		49	3.50	5.09	6.79								
	P	32	5.98	6.94	8.01	9.19	10.45	11.85	13.30	14.90			
		38	6.05	7.02	8.14	9.38	10.75	12.20	13.80	15.45			
		43	6.14	7.12	8.26	9.54	10.95	12.50					
		46	6.22	7.19	8.33	9.64							
		49	6.31	7.27	8.42								
W9-3SS-100X (2)	Q	32	5.88	8.52	11.00	13.75	16.80	20.10	23.80	27.70			
		38	5.02	6.92	9.80	12.30	15.10	18.10	21.40	24.90			
		43	4.32	6.09	8.83	11.15	13.65	16.40					
		46	3.92	5.60	7.43	10.45							
		49	3.52	5.12	6.84								
	P	32	5.98	6.94	8.01	9.18	10.45	11.80	13.25	14.80			
		38	6.05	7.02	8.13	9.37	10.70	12.15	13.75	15.40			
		43	6.14	7.11	8.25	9.52	10.95	12.45					
		46	6.21	7.18	8.32	9.63							
		49	6.31	7.27	8.41								
W9-3SS-150X (2)	Q	32			11.40	14.30	17.55	21.10	24.90	28.90	33.20	37.70	39.50
		38			10.15	12.80	15.75	18.95	22.30	26.00			
		43			9.08	11.60	14.25	17.15					
		46				10.85							
		49											
	P	32			8.41	9.57	10.80	12.05	13.35	14.70	16.10	17.55	18.15
		38			8.47	9.74	11.05	12.40	13.80	15.25			
		43			8.47	9.82	11.20	12.65					
		46				9.85							
		49											

Q = Capacity in kW
P = Power input in kW
Rating at: 20°C Suction gas return, 0K Subcooling

 0°C Suction gas return

* At 3K Subcooling, capacity increases by approximately 5%
* Stated power values are inclusive of fan power

Condensing unit (Number of fans)		Ambient (°C)	Evaporating temperature °C										
			-40	-35	-30	-25	-20	-15	-10	-5	0	5	7
R7-2DD-50X (2)	Q	32		3.06	4.12	5.33	6.69	8.21	9.89	11.70	13.70	15.85	16.75
		38		2.61	3.58	4.68	5.91	7.28	8.80	10.45	12.25	14.20	
		43		2.24	3.13	4.14	5.26	6.51	7.89	9.40	11.05		
		46		2.02	2.87	3.82	4.87	6.05	7.35	8.77	10.30		
		49			2.60	3.50	4.49	5.59	6.81	8.14			
	P	32		2.63	3.00	3.37	3.76	4.14	4.53	4.91	5.28	5.64	5.79
		38		2.62	3.02	3.43	3.86	4.29	4.73	5.16	5.59	6.01	
		43		2.59	3.01	3.46	3.93	4.40	4.88	5.35	5.82		
		46		2.56	3.01	3.47	3.96	4.46	4.96	5.46	5.96		
		49			2.99	3.48	3.99	4.51	5.03	5.56			
R7-2DL-75X (2)	Q	32		3.84	5.02	6.41	8.00	9.78	11.75	13.85	16.15	18.55	
		38		3.36	4.41	5.65	7.07	8.68	10.45	12.40	14.45		
		43		2.99	3.92	5.03	6.31	7.77	9.38	11.15	13.05		
		46			3.64	4.66	5.86	7.22	8.74	10.40			
		49			3.36	4.31	5.41	6.68	8.10				
	P	32		3.15	3.59	4.05	4.54	5.06	5.59	6.14	6.70	7.27	
		38		3.16	3.61	4.11	4.64	5.20	5.78	6.39	7.00		
		43		3.15	3.62	4.14	4.71	5.30	5.92	6.57	7.23		
		46			3.62	4.16	4.74	5.35	6.00	6.67			
		49			3.61	4.16	4.76	5.40	6.06				
R7-2DB-50X (2)	Q	32	3.30	4.75	6.14	7.72	9.47	11.36	13.38	15.49			
		38	2.83	3.83	5.43	6.86	8.45	10.16	11.99				
		43	2.46	3.35	4.87	6.17	7.62	9.19	10.85				
		46	2.24	3.08	4.08	5.77	7.13	8.61	10.18				
		49	2.03	2.81	3.74	5.37	6.65	8.04					
	P	32	3.16	3.68	4.26	4.90	5.57	6.28	7.00	7.74			
		38	3.17	3.72	4.34	5.02	5.74	6.51	7.30				
		43	3.18	3.74	4.39	5.11	5.88	6.69	7.53				
		46	3.19	3.76	4.42	5.16	5.95	6.79	7.67				
		49	3.20	3.78	4.45	5.21	6.03	6.89					
S9-2DB-75X (2)	Q	32		5.10	6.52	8.15	9.97	12.00	14.20	16.65	19.20	21.90	23.10
		38		4.51	5.79	7.24	8.87	10.65	12.65	14.80	17.10		
		43		4.01	5.17	6.47	7.93	9.55	11.35	13.30	15.35		
		46			4.79	6.01	7.37	8.88	10.55	12.35	14.30		
		49			4.42	5.54	6.80	8.20	9.74				
	P	32		3.91	4.42	4.99	5.60	6.23	6.88	7.55	8.21	8.87	9.13
		38		3.99	4.50	5.08	5.72	6.39	7.08	7.80	8.52		
		43		4.05	4.56	5.15	5.80	6.49	7.22	7.97	8.73		
		46			4.60	5.19	5.84	6.55	7.29	8.06	8.84		
		49			4.63	5.22	5.88	6.59	7.35				
S9-3DA-75X (2)	Q	32		5.42	7.14	9.05	11.15	13.50	16.00	18.65	21.50	24.50	
		38		4.66	6.24	7.99	9.91	12.00	14.25	16.70	19.25		
		43		4.03	5.50	7.11	8.87	10.80	12.85	15.05			
		46			5.05	6.58	8.24	10.05	12.00				
		49			4.61	6.06	7.62	9.31					
	P	32		4.36	5.06	5.77	6.50	7.23	7.97	8.72	9.47	10.25	
		38		4.31	5.07	5.84	6.64	7.44	8.25	9.07	9.89		
		43		4.23	5.04	5.87	6.71	7.57	8.44	9.32			
		46			5.00	5.86	6.74	7.64	8.54				
		49			4.95	5.84	6.75	7.68					
R7-3DC-75X (2)	Q	32	4.87	6.71	8.36	10.15	12.05	14.05	16.15				
		38	4.22	5.47	7.38	8.95	10.60	12.40	14.25				
		43	3.63	4.74	5.93	7.91	9.40	10.95					
		46	3.26	4.29	5.38	7.27	8.64						
		49	2.87	3.82	4.82	5.88							
	P	32	4.59	5.36	6.18	7.04	7.94	8.89	9.89				
		38	4.56	5.38	6.24	7.15	8.11	9.12	10.15				
		43	4.48	5.33	6.24	7.19	8.19	9.25					
		46	4.41	5.28	6.21	7.18	8.22						
		49	4.32	5.21	6.16	7.17							
V6-3DC-100X (2)	Q	32	7.08	9.30	11.80	14.55	17.55	20.90	24.50	28.40	32.50	34.20	
		38	6.14	8.19	10.45	12.95	15.70	18.65	21.90	25.40	29.10		
		43	5.36	7.26	9.34	11.60	14.10	16.80	19.75	22.90			
		46	4.89	6.70	8.67	10.80	13.15	15.65	18.45	21.40			
		49		6.15	8.00	10.00	12.20	14.55	17.10				
	P	32	5.41	6.18	6.96	7.75	8.54	9.31	10.05	10.75	11.45	11.70	
		38	5.42	6.26	7.12	8.00	8.88	9.74	10.60	11.40	12.15		
		43	5.38	6.27	7.20	8.15	9.11	10.05	11.00	11.90			
		46	5.33	6.26	7.22	8.22	9.22	10.20	11.20	12.15			
		49		6.22	7.23	8.26	9.31	10.35	11.40				

◻ 0°C Suction gas return

* At 3K Subcooling, capacity increases by approximately 5%

* Stated power values are inclusive of fan power

Condensing unit (Number of fans)		Ambient (°C)	Evaporating temperature °C										
			-40	-35	-30	-25	-20	-15	-10	-5	0	5	7
S9-3DS-100X (2)	Q	32	6.59	9.04	11.25	13.60	16.15	18.80	21.50				
		38	5.72	7.43	10.05	12.15	14.45	16.80	19.20				
		43	4.99	6.55	8.22	10.95	13.00						
		46	4.54	6.02	7.58	10.20							
		49		5.49	6.95	8.44							
	P	32	6.04	7.07	8.20	9.41	10.70	12.05	13.50				
		38	6.08	7.16	8.36	9.64	11.00	12.45	13.95				
		43	6.07	7.20	8.43	9.79	11.20						
		46	6.05	7.20	8.47	9.85							
		49		7.19	8.49	9.89							
W9-3DS-150X (2)	Q	32		9.43	12.20	15.30	18.65	22.30	26.20	30.50	35.00	39.70	
		38		8.22	10.80	13.60	16.65	19.90	23.50	27.30	31.30		
		43		7.21	9.60	12.15	14.95	17.95	21.10	24.60	28.20		
		46			8.88	11.30	13.95	16.75	19.75	23.00			
		49			8.16	10.45	12.90	15.55	18.35				
	P	32		7.07	8.18	9.33	10.50	11.70	12.85	14.00	15.10	16.15	
		38		7.08	8.30	9.57	10.85	12.15	13.45	14.70	15.95		
		43		7.01	8.32	9.69	11.10	12.50	13.90	15.25	16.60		
		46			8.30	9.73	11.20	12.65	14.10	15.55			
		49			8.25	9.74	11.25	12.80	14.35				
W9-4MF-13X (2)	Q	32	7.47	10.82	13.75	17.03	20.64	24.56	28.78	33.26			
		38	6.40	9.53	12.15	15.07	18.30	21.81	25.59	29.61			
		43	4.74	7.46	10.83	13.46	16.37	19.53	22.95				
		46	4.24	6.82	10.05	12.51	15.22	18.17	21.36				
		49	3.76	6.20	8.03	11.56	14.07	16.82					
	P	32	6.99	8.21	9.49	10.82	12.22	13.67	15.19	16.79			
		38	6.99	8.30	9.67	11.11	12.62	14.19	15.83	17.55			
		43	6.96	8.33	9.79	11.32	12.92	14.59	16.33				
		46	6.92	8.33	9.84	11.42	13.08	14.81	16.61				
		49	6.87	8.33	9.87	11.51	13.22	15.01					
Z9-4MA-22X (4)	Q	32		11.65	15.30	19.40	24.00	29.10	34.80	40.90	47.70	55.00	58.10
		38		10.05	13.45	17.25	21.50	26.10	31.30	36.90	43.10	49.70	52.60
		43		7.66	11.90	15.45	19.35	23.60	28.40	33.50	39.20	45.40	48.00
		46		6.83	11.00	14.35	18.10	22.20	26.60	31.60	36.90	42.80	
		49			10.05	13.30	16.85	20.70	24.90	29.60	34.60		
	P	32		8.86	10.10	11.30	12.50	13.70	14.85	15.95	17.05	18.15	18.60
		38		8.85	10.25	11.60	13.00	14.35	15.65	16.95	18.25	19.55	20.10
		43		8.78	10.30	11.80	13.30	14.80	16.30	17.75	19.20	20.70	21.20
		46		8.70	10.30	11.90	13.50	15.10	16.65	18.20	19.75	21.30	
		49			10.25	11.95	13.65	15.35	17.00	18.65	20.30		
W9-4ML-15X (2)	Q	32	9.20	13.09	16.47	20.18	24.20	28.51	33.07	37.85			
		38	7.94	11.62	14.68	18.02	21.63	25.49	29.57				
		43	5.98	9.25	13.17	16.21	19.48	22.96	26.65				
		46	5.34	8.48	10.88	15.12	18.19	21.45					
		49	4.69	6.85	9.94	14.03	16.89						
	P	32	8.39	9.85	11.41	13.08	14.83	16.66	18.55	20.50			
		38	8.48	10.00	11.64	13.40	15.25	17.19	19.21				
		43	8.54	10.09	11.80	13.63	15.56	17.59	19.70				
		46	8.57	10.14	11.86	13.75	15.73	17.81					
		49	8.59	10.18	11.94	13.86	15.88						
Z9-4MH-25X (4)	Q	32		13.40	17.50	22.10	27.30	33.20	39.60	46.70	54.50	62.80	66.30
		38		11.75	15.50	19.70	24.50	29.80	35.60	42.10	49.10	56.70	59.90
		43		9.15	13.80	17.70	22.00	26.90	32.30	38.20	44.60	51.60	
		46		8.28	12.80	16.50	20.60	25.20	30.20	35.80	41.90		
		49			11.75	15.25	19.15	23.40	28.20	33.40	39.20		
	P	32		10.20	11.60	13.10	14.55	16.05	17.55	19.05	20.50	22.00	22.60
		38		10.20	11.80	13.40	15.05	16.75	18.45	20.20	21.80	23.50	24.20
		43		10.15	11.85	13.60	15.45	17.30	19.15	21.00	22.90	24.80	
		46		10.10	11.85	13.70	15.60	17.55	19.55	21.50	23.50		
		49			11.85	13.80	15.80	17.85	19.90	22.00	24.10		
W9-4MM-20X (2)	Q	32	10.35	14.50	18.05	21.90	25.90	30.20	34.60	39.20			
		38	8.92	11.65	16.00	19.40	23.00	26.80	30.70				
		43	6.76	10.20	14.30	17.35	20.60	23.90					
		46	6.04	9.35	11.80	16.15	19.15						
		49	5.33	7.56	10.75	14.90							
	P	32	9.37	10.95	12.70	14.50	16.45	18.50	20.70	23.00			
		38	9.41	11.10	12.95	14.90	17.00	19.20	21.50				
		43	9.38	11.15	13.10	15.15	17.35	19.70					
		46	9.32	11.15	13.15	15.30	17.55						
		49	9.24	11.15	13.20	15.40							

 0°C Suction gas return
 20K Superheat
 * At 3K Subcooling, capacity increases by approximately 5%
 * Stated power values are inclusive of fan power

Condensing unit (Number of fans)		Ambient (°C)	Evaporating temperature °C										
			-40	-35	-30	-25	-20	-15	-10	-5	0	5	7
Z12-6MI-40X (4)	Q	32		23.07	29.63	37.04	45.31	54.49	64.56	75.50	87.28	99.85	105.09
		38		20.44	26.45	33.17	40.64	48.89	57.96	67.81	78.44	89.80	94.54
		43		16.28	23.77	29.90	36.69	44.18	52.40	61.33	71.01	81.36	
		46		14.91	22.15	27.93	34.31	41.33	49.04	57.43	66.52		
		49			20.52	25.94	31.91	38.47	45.66	53.51			
	P	32		17.52	19.96	22.45	24.98	27.54	30.14	32.76	35.41	38.09	39.17
		38		17.83	20.51	23.24	26.01	28.83	31.67	34.55	37.44	40.37	41.55
		43		18.01	20.89	23.82	26.81	29.83	32.89	35.98	39.09	42.22	
		46		18.10	21.09	24.15	27.25	30.41	33.59	36.81	40.05		
		49			21.27	24.45	27.68	30.96	34.28	37.62			
Z12-6MU-40X (4)	Q	32	22.48	29.05	36.58	45.10	54.64	65.18	76.68	89.10			
		38	18.06	26.00	32.79	40.46	49.01	58.47	68.81	80.00			
		43	13.92	20.95	29.60	36.55	44.29	52.86	62.25				
		46	12.57	19.33	27.66	34.18	41.45	49.49	58.30				
		49	11.23	17.69	22.61	31.81	38.60	46.10					
	P	32	19.12	22.11	25.24	28.52	31.93	35.47	39.14	42.94			
		38	19.28	22.50	25.89	29.42	33.10	36.91	40.85	44.92			
		43	19.24	22.64	26.24	29.99	33.90	37.94	42.11				
		46	19.12	22.64	26.36	30.25	34.29	38.47	42.79				
		49	18.93	22.57	26.41	30.44	34.62	38.94					

Q = Capacity in kW
P = Power input in kW
Rating at: 20°C Suction gas return, 0K Subcooling

0°C Suction gas return
 20K Superheat
* At 3K Subcooling, capacity increases by approximately 5%
* Stated power values are inclusive of fan power

Condensing unit (Number of fans)		Ambient (°C)	Evaporating temperature °C										
			-40	-35	-30	-25	-20	-15	-10	-5	0	5	7
R7-2DD-50X (2)	Q	32					5.80	7.32	9.05	10.99	13.14	15.48	16.47
		38					5.20	6.60	8.19	9.98	11.96	14.12	15.04
		43					4.71	6.01	7.48	9.14	10.98	13.00	13.86
		46					4.42	5.65	7.05	8.64	10.40	12.33	
		49					4.12	5.29	6.63	8.14	9.81		
	P	32					3.20	3.57	3.96	4.36	4.78	5.22	5.40
		38					3.27	3.68	4.11	4.56	5.04	5.53	5.73
		43					3.31	3.76	4.22	4.71	5.22	5.76	5.98
		46					3.33	3.79	4.28	4.79	5.33	5.89	
		49					3.34	3.82	4.33	4.86	5.42		
R7-2DL-75X (2)	Q	32					7.05	8.87	10.89	13.12	15.55	18.18	19.28
		38					6.38	8.08	9.96	12.03	14.28	16.71	17.72
		43					5.82	7.43	9.19	11.12	13.22		
		46						7.04	8.73	10.58			
		49						6.65	8.27				
	P	32					3.98	4.46	4.96	5.49	6.05	6.64	6.88
		38					4.12	4.66	5.22	5.82	6.46	7.13	7.40
		43					4.23	4.81	5.43	6.09	6.78		
		46						4.90	5.55	6.24			
		49						4.98	5.66				
R7-2DB-50X DC (2)	Q	32	2.91	3.99	5.26	6.76	8.49	10.43	12.57	14.90	17.39		
		38	2.51	3.54	4.74	6.12	7.70	9.48	11.44	13.56			
		43	2.16	3.16	4.31	5.61	7.06	8.71	10.52	12.48			
		46	1.96	2.94	4.06	5.31	6.70	8.26	9.98				
		49	1.75	2.72	3.81	5.02	6.35	7.81					
	P	32	2.74	3.21	3.71	4.26	4.85	5.47	6.15	6.87	7.65		
		38	2.74	3.23	3.78	4.37	5.01	5.70	6.43	7.21			
		43	2.71	3.23	3.81	4.44	5.12	5.85	6.63	7.46			
		46	2.67	3.21	3.81	4.46	5.17	5.93	6.74				
		49	2.63	3.19	3.80	4.48	5.21	5.99					
S9-2DB-75X (2)	Q	32					8.73	10.82	13.13	15.66	18.40	21.35	22.58
		38					7.96	9.88	12.00	14.31	16.81	19.49	20.61
		43					7.30	9.09	11.05	13.18	15.47		
		46						8.62	10.47	12.49			
		49						8.13	9.89				
	P	32					4.90	5.49	6.11	6.76	7.43	8.11	8.39
		38					5.07	5.71	6.40	7.12	7.86	8.62	8.93
		43					5.21	5.89	6.62	7.39	8.19		
		46						5.99	6.74	7.54			
		49						6.08	6.86				
S9-3DA-75X (2)	Q	32					9.78	12.12	14.69	17.50	20.51	23.70	25.03
		38					8.76	10.92	13.28	15.85	18.59	21.51	22.71
		43					7.90	9.91	12.10	14.46	16.99		
		46						9.31	11.39	13.63			
		49						8.70	10.67				
	P	32					5.58	6.29	7.01	7.76	8.55	9.41	9.78
		38					5.71	6.49	7.29	8.11	8.98	9.91	10.31
		43					5.76	6.61	7.47	8.35	9.28		
		46						6.66	7.56	8.48			
		49						6.69	7.63				
R7-3DC-75X DC (2)	Q	32	3.96	5.37	7.01	8.86	10.97	13.27	15.72	18.28			
		38	3.43	4.79	6.34	8.07	9.96	12.06	14.29	16.62			
		43	2.99	4.31	5.79	7.43	9.19	11.08					
		46	2.73	4.03	5.47	7.05	8.75	10.54					
		49	2.47	3.75	5.15	6.68	8.31						
	P	32	3.67	4.34	5.08	5.89	6.77	7.72	8.75	9.87			
		38	3.67	4.38	5.16	6.02	6.97	7.99	9.10	10.30			
		43	3.65	4.39	5.21	6.11	7.11	8.19					
		46	3.63	4.39	5.23	6.16	7.18	8.30					
		49	3.61	4.38	5.25	6.20	7.25						
V6-3DC-100X (2)	Q	32					12.56	15.65	19.10	22.91	27.05	31.53	33.40
		38					11.36	14.24	17.42	20.91	24.71	28.79	30.51
		43					10.33	13.03	16.00	19.23	22.73	26.50	28.08
		46					9.71	12.30	15.13	18.20	21.53		
		49						11.56	14.25	17.17			
	P	32					6.63	7.41	8.20	9.00	9.80	10.61	10.94
		38					6.83	7.71	8.60	9.50	10.42	11.35	11.72
		43					6.94	7.90	8.88	9.88	10.89	11.91	12.33
		46					6.98	7.99	9.02	10.08	11.15		
		49						8.06	9.15	10.26			

* At 3K Subcooling, capacity increases by approximately 5%
 * Stated power values are inclusive of fan power

Condensing unit (Number of fans)		Ambient (°C)	Evaporating temperature °C										
			-40	-35	-30	-25	-20	-15	-10	-5	0	5	7
S9-3DS-100X DC (2)	Q	32	5.39	7.34	9.53	11.96	14.64	17.50	20.49	23.55			
		38	4.74	6.59	8.65	10.89	13.28	15.87	18.56				
		43	4.17	5.95	7.90	10.00	12.21	14.50					
		46	3.82	5.56	7.44	9.46	11.58						
		49	3.47	5.16	6.98	8.91							
	P	32	4.85	5.71	6.69	7.78	8.99	10.31	11.76	13.33			
		38	4.92	5.81	6.83	7.99	9.27	10.67	12.21				
		43	4.94	5.86	6.92	8.12	9.45	10.93					
		46	4.94	5.87	6.96	8.18	9.55						
		49	4.93	5.88	6.98	8.23							
W9-3DS-150X (2)	Q	32					16.24	20.00	24.15	28.68	33.56	38.76	40.92
		38					14.76	18.23	22.04	26.18	30.62	35.34	37.31
		43					13.48	16.73	20.25	24.06	28.14		
		46						15.81	19.16	22.77			
		49						14.88	18.06				
	P	32					8.82	9.92	11.06	12.24	13.46	14.72	15.24
		38					9.09	10.33	11.60	12.91	14.27	15.67	16.25
		43					9.26	10.60	11.99	13.43	14.90		
		46						10.75	12.20	13.71			
		49						10.87	12.40				
W9-4MF-13X DC (2)	Q	32	6.13	8.77	11.80	15.23	19.03	23.12	27.45	31.96	36.61		
		38	5.18	7.68	10.52	13.65	17.11	20.85	24.78	28.86			
		43	4.34	6.73	9.42	12.36	15.52	18.92	22.52	26.24			
		46	3.83	6.15	8.75	11.58	14.60	17.76	21.14				
		49	3.30	5.56	8.06	10.78	13.67	16.68					
	P	32	5.76	6.84	8.03	9.32	10.71	12.20	13.78	15.47	17.26		
		38	5.73	6.89	8.17	9.58	11.11	12.74	14.48	16.33			
		43	5.67	6.90	8.26	9.76	11.40	13.16	15.03	17.03			
		46	5.63	6.89	8.31	9.86	11.56	13.40	15.36				
		49	5.57	6.88	8.34	9.95	11.71	13.62					
Z9-4MA-22X (4)	Q	32					20.85	26.09	32.03	38.72	46.20	54.45	57.97
		38					18.95	23.81	29.30	35.47	42.36	49.96	53.21
		43					17.35	21.89	27.01	32.74	39.13	46.20	49.21
		46					16.38	20.74	25.62	31.09	37.18	43.92	
		49					15.42	19.58	24.23	29.44	35.23		
	P	32					10.97	12.13	13.31	14.52	15.75	17.00	17.51
		38					11.34	12.64	13.99	15.38	16.80	18.26	18.85
		43					11.61	13.03	14.52	16.06	17.64	19.26	19.92
		46					11.75	13.25	14.82	16.44	18.12	19.85	
		49					11.88	13.45	15.10	16.82	18.59		
W9-4ML-15X DC (2)	Q	32	7.65	10.77	14.25	18.13	22.41	27.01	31.89	37.00			
		38	6.48	9.46	12.75	16.31	20.23	24.46	28.93	33.60			
		43	5.44	8.32	11.45	14.82	18.40	22.29	26.42				
		46	4.80	7.60	10.64	13.91	17.36	20.97					
		49	4.13	6.87	9.83	12.98	16.31						
	P	32	6.92	8.19	9.60	11.13	12.79	14.59	16.54	18.65			
		38	6.93	8.29	9.79	11.45	13.24	15.18	17.29	19.56			
		43	6.90	8.32	9.91	11.65	13.57	15.64	17.87				
		46	6.86	8.33	9.96	11.76	13.73	15.89					
		49	6.80	8.31	10.00	11.85	13.88						
Z9-4MH-25X (4)	Q	32					24.37	30.09	36.58	43.87	51.98	60.88	64.65
		38					22.29	27.55	33.49	40.15	47.55	55.69	59.15
		43					20.56	25.42	30.89	37.02	43.82	51.32	
		46					19.51	24.13	29.32	35.12	41.57		
		49					18.47	22.85	27.75	33.22	39.31		
	P	32					12.89	14.27	15.66	17.07	18.50	19.98	20.58
		38					13.37	14.95	16.53	18.15	19.79	21.47	22.15
		43					13.70	15.44	17.20	18.99	20.81	22.67	
		46					13.86	15.71	17.58	19.48	21.41		
		49					13.99	15.95	17.93	19.94	21.99		
W9-4MM-20X DC (2)	Q	32	8.39	11.47	15.02	19.06	23.74	28.94	34.63	40.77			
		38	7.05	9.98	13.33	17.11	21.32	26.15	31.43				
		43	5.90	8.69	11.87	15.45	19.41	23.76					
		46	5.19	7.90	10.98	14.44	18.26	22.40					
		49	4.47	7.10	10.07	13.41	17.10						
	P	32	7.62	9.05	10.62	12.35	14.21	16.25	18.50	20.98			
		38	7.62	9.15	10.83	12.68	14.70	16.89	19.29				
		43	7.56	9.19	10.96	12.90	15.03	17.37					
		46	7.51	9.18	11.01	13.01	15.20	17.61					
		49	7.43	9.16	11.04	13.10	15.36						

* At 3K Subcooling, capacity increases by approximately 5%
 * Stated power values are inclusive of fan power

Condensing unit (Number of fans)		Ambient (°C)	Evaporating temperature °C										
			-40	-35	-30	-25	-20	-15	-10	-5	0	5	7
Z9-4MI-30X (4)	Q	32					26.64	32.95	40.03	47.91	56.59	66.05	70.05
		38					24.30	30.13	36.64	43.86	51.80	60.46	64.12
		43					22.34	27.76	33.78	40.44	47.77	55.76	
		46					21.15	26.33	32.05	38.38	45.33		
		49					19.96	24.89	30.32	36.30			
	P	32					14.16	15.73	17.33	18.99	20.72	22.55	23.31
		38					14.72	16.50	18.31	20.18	22.13	24.16	25.00
		43					15.09	17.06	19.06	21.12	23.24	25.45	
		46					15.26	17.35	19.47	21.65	23.88		
		49					15.40	17.61	19.85	22.15			
W9-4MT-22X DC (2)	Q	32	9.29	12.85	16.75	20.96	25.52	30.40	35.47	40.67			
		38	7.96	11.41	15.12	19.07	23.20	27.52	32.09				
		43	6.75	10.12	13.68	17.42	21.30	25.26					
		46	5.97	9.30	12.78	16.40	20.13						
		49	5.16	8.45	11.84	15.35							
	P	32	8.56	10.24	12.11	14.17	16.40	18.83	21.46	24.31			
		38	8.57	10.35	12.33	14.51	16.91	19.51	22.30				
		43	8.49	10.37	12.44	14.73	17.23	19.95					
		46	8.41	10.34	12.47	14.82	17.39						
		49	8.31	10.28	12.48	14.89							
Z9-4MJ-33X (4)	Q	32					29.27	36.06	43.65	52.04	61.23	71.19	75.38
		38					26.73	32.95	39.88	47.53	55.91	65.00	68.82
		43					24.63	30.37	36.74	43.76	51.45		
		46					23.39	28.83	34.86	41.49	48.77		
		49					22.16	27.30	32.98	39.23			
	P	32					15.84	17.67	19.57	21.54	23.61	25.80	26.72
		38					16.43	18.50	20.62	22.81	25.10	27.50	28.50
		43					16.81	19.08	21.40	23.79	26.27		
		46					16.97	19.38	21.83	24.34	26.94		
		49					17.09	19.63	22.21	24.85			
Z9-4MU-25X DC (4)	Q	32	10.71	15.17	20.31	26.18	32.73	39.87	47.54	55.65	64.12		
		38	9.23	13.46	18.29	23.68	29.71	36.28	43.29	50.68			
		43	7.89	11.93	16.50	21.56	27.06	33.13	39.60	46.39			
		46	7.04	10.96	15.37	20.24	25.50	31.18	37.32	43.76			
		49	6.16	9.96	14.21	18.88	23.91	29.24	35.00				
	P	32	10.30	12.06	13.94	15.95	18.10	20.40	22.88	25.56	28.47		
		38	10.37	12.25	14.28	16.47	18.81	21.33	24.04	26.96			
		43	10.35	12.34	14.49	16.81	19.33	22.02	24.92	28.05			
		46	10.31	12.35	14.57	16.98	19.59	22.40	25.42	28.66			
		49	10.23	12.34	14.63	17.12	19.82	22.75	25.88				
Z12-4MK-35X (4)	Q	32					33.46	41.26	50.01	59.74	70.43	82.07	86.98
		38					30.59	37.78	45.80	54.68	64.43	75.05	79.53
		43					28.20	34.86	42.26	50.42	59.38	69.14	
		46					26.75	33.10	40.11	47.84	56.33		
		49					25.31	31.33	37.96	45.26			
	P	32					18.69	20.72	22.82	25.01	27.32	29.77	30.80
		38					19.43	21.72	24.08	26.52	29.07	31.76	32.87
		43					19.94	22.45	25.03	27.69	30.46	33.35	
		46					20.17	22.83	25.55	28.36	31.25		
		49					20.36	23.17	26.04	28.98			
Z9-6MM-30X DC (4)	Q	32	12.71	18.14	24.29	31.20	38.78	46.91	55.48	64.41	73.58		
		38	10.90	16.05	21.83	28.16	35.13	42.60	50.46	58.59			
		43	9.30	14.20	19.66	25.61	31.96	38.84	46.09	53.58			
		46	8.31	13.04	18.31	24.03	30.12	36.52	43.40				
		49	7.29	11.86	16.93	22.42	28.24	34.31					
	P	32	12.06	14.19	16.52	19.02	21.69	24.56	27.62	30.90	34.40		
		38	12.13	14.43	16.94	19.66	22.57	25.68	29.00	32.54			
		43	12.09	14.54	17.20	20.08	23.20	26.52	30.06	33.82			
		46	12.02	14.56	17.31	20.30	23.52	26.99	30.65				
		49	11.91	14.54	17.39	20.48	23.81	27.39					
Z12-6MI-40X (4)	Q	32					39.82	48.98	59.13	70.24	82.30	95.22	100.61
		38					36.54	44.95	54.20	64.29	75.21	86.91	
		43					33.81	41.58	50.06	59.29	69.26		
		46					32.17	39.55	47.57	56.28			
		49					30.55	37.53	45.08				
	P	32					22.08	24.63	27.33	30.16	33.15	36.32	37.64
		38					22.99	25.81	28.78	31.89	35.16	38.61	
		43					23.72	26.76	29.95	33.30	36.81		
		46					24.13	27.31	30.64	34.13			
		49					24.54	27.84	31.31				

* At 3K Subcooling, capacity increases by approximately 5%
 * Stated power values are inclusive of fan power

Condensing unit (Number of fans)		Ambient (°C)	Evaporating temperature °C										
			-40	-35	-30	-25	-20	-15	-10	-5	0	5	7
Z12-6MU-40X DC (4)	Q	32	16.19	22.17	29.16	37.24	46.67	57.34	69.23	82.34	96.58		
		38	13.76	19.45	26.05	33.64	42.28	52.24	63.36	75.59			
		43	11.64	17.08	23.37	30.55	38.67	47.87	58.33	69.86			
		46	10.34	15.63	21.71	28.66	36.50	45.20	55.27				
		49	9.02	14.15	20.03	26.74	34.31	42.70					
	P	32	15.83	18.46	21.36	24.55	27.98	31.71	35.77	40.20	45.04		
		38	15.89	18.72	21.85	25.27	29.01	33.03	37.39	42.12			
		43	15.73	18.74	22.05	25.67	29.62	33.91	38.52	43.50			
		46	15.54	18.66	22.09	25.82	29.90	34.34	39.10				
		49	15.28	18.50	22.05	25.90	30.10	34.66					

Q = Capacity in kW
 P = Power input in kW
 Rating at: 20°C Suction gas return, 0K Subcooling

* At 3K Subcooling, capacity increases by approximately 5%
 * Stated power values are inclusive of fan power

Condensing unit (Number of fans)		Ambient (°C)	Evaporating temperature °C							
			-20	-15	-10	-5	0	5	7	10
R7-2DD-50X (2)	Q	32	5.10	6.60	8.36	10.35	12.55	15.00	16.00	17.60
		38	4.17	5.88	7.51	9.35	11.40	13.65	14.60	16.10
		43	3.64	5.29	6.81	8.54	10.45	12.55	13.45	
		46		4.64	6.40	8.05	9.90			
		49		4.28	5.99	7.58				
	P	32	2.93	3.27	3.64	4.02	4.43	4.86	5.03	5.31
		38	2.99	3.37	3.77	4.21	4.67	5.15	5.35	5.66
		43	3.02	3.42	3.87	4.34	4.84	5.37	5.59	
		46		3.45	3.91	4.41	4.94			
		49		3.47	3.95	4.47				
R7-2DL-75X (2)	Q	32	6.26	8.04	10.10	12.40	14.90	17.65	18.80	20.60
		38	5.25	7.27	9.17	11.30	13.65	16.20	17.30	
		43	4.72	6.33	8.44	10.45	12.65			
		46		5.96	8.02	9.94				
		49		5.61	7.60					
	P	32	3.53	4.00	4.50	5.05	5.63	6.24	6.50	6.90
		38	3.65	4.16	4.70	5.30	5.93	6.60	6.89	
		43	3.75	4.27	4.86	5.49	6.17			
		46		4.35	4.96	5.61				
		49		4.42	5.05					
S9-2DB-75X (2)	Q	32	8.22	10.20	12.50	15.10	17.95	21.00	22.30	24.30
		38	7.12	9.31	11.40	13.80	16.40	19.25	20.40	
		43		6.33	10.55	12.75	15.20			
		46		5.96	10.00	12.10				
		49		5.61	9.20					
	P	32	4.42	4.92	5.47	6.06	6.70	7.38	7.66	8.10
		38	4.62	5.17	5.76	6.41	7.10	7.84	8.15	
		43		5.36	5.99	6.67	7.41			
		46		5.47	6.12	6.83				
		49		5.58	6.24					
S9-3DA-75X (2)	Q	32	8.94	11.20	13.85	16.75	19.95	23.30	24.70	26.90
		38	7.66	10.20	12.60	15.30	18.25	21.30		
		43		8.97	11.65	14.15				
		46		8.49	11.05					
		49		8.02						
	P	32	5.05	5.63	6.27	6.98	7.75	8.59	8.94	9.50
		38	5.21	5.84	6.54	7.31	8.16	9.08		
		43		6.01	6.76	7.59				
		46		6.12	6.89					
		49		6.22						
V6-3DC-100X (2)	Q	32	11.35	14.25	17.60	21.40	25.60	30.20	32.10	35.10
		38	9.84	12.95	16.05	19.55	23.40	27.60	29.40	32.20
		43	8.98	11.95	14.80	18.00	21.60	25.50	27.20	
		46		10.85	14.05	17.15	20.60			
		49		10.25	13.35					
	P	32	6.10	6.74	7.43	8.16	8.93	9.74	10.05	10.55
		38	6.37	7.07	7.82	8.63	9.49	10.40	10.75	11.35
		43	6.60	7.33	8.14	9.01	9.94	10.90	11.35	
		46		7.48	8.32	9.23	10.20			
		49		7.64	8.51					
W9-3DS-150X (2)	Q	32	15.40	18.85	22.90	27.40	32.30	37.70	39.90	43.30
		38	13.60	17.35	21.00	25.10	29.70	34.50	36.60	
		43		15.50	19.50	23.30	27.50			
		46		14.75	18.60					
		49		14.00						
	P	32	8.32	9.18	10.15	11.20	12.30	13.55	14.05	14.85
		38	8.74	9.67	10.70	11.85	13.05	14.40	14.95	
		43		10.05	11.15	12.35	13.70			
		46		10.30	11.40					
		49		10.50						
Z9-4MA-22X (4)	Q	32	19.95	24.90	30.40	36.70	43.70	51.50	54.80	60.00
		38	18.20	22.80	28.00	33.80	40.30	47.50	50.50	55.40
		43	16.65	21.00	25.90	31.30	37.40	44.10	46.90	51.40
		46	15.75	19.95	24.60	29.80	35.60	42.00	44.70	49.00
		49	14.80	18.85	23.30	28.30	33.80			
	P	32	10.65	11.80	12.85	13.90	14.95	15.95	16.30	16.90
		38	11.05	12.35	13.60	14.85	16.05	17.25	17.70	18.40
		43	11.25	12.70	14.15	15.55	16.90	18.25	18.75	19.55
		46	11.35	12.90	14.45	15.95	17.40	18.80	19.40	20.20
		49	11.40	13.05	14.65	16.25	17.85			

20K Superheat

* At 3K Subcooling, capacity increases by approximately 5%

* Stated power values are inclusive of fan power

Condensing unit (Number of fans)		Ambient (°C)	Evaporating temperature °C							
			-20	-15	-10	-5	0	5	7	10
Z9-4MH-25X (4)	Q	32	22.70	28.40	34.80	42.00	49.90	58.70	62.50	68.30
		38	20.70	26.00	31.90	38.60	46.00	54.10	57.60	63.00
		43	18.95	24.00	29.50	35.70	42.60	50.20	53.40	58.40
		46	17.90	22.70	28.10	34.00	40.60			
		49	16.80	21.50	26.60	32.30				
	P	32	12.15	13.45	14.80	16.10	17.45	18.80	19.35	20.20
		38	12.55	14.05	15.60	17.15	18.70	20.30	20.90	21.80
		43	12.80	14.50	16.20	17.90	19.65	21.40	22.10	23.20
		46	12.90	14.70	16.50	18.35	20.20			
		49	12.95	14.85	16.80	18.80				
Z9-4MI-30X (4)	Q	32	25.30	31.40	38.30	46.00	54.60	64.00	68.00	74.20
		38	23.20	28.90	35.20	42.30	50.20	58.80	62.50	68.20
		43	21.40	26.70	32.60	39.20	46.50	54.50	57.90	
		46	20.30	25.40	31.00	37.30	44.20			
		49		24.00	29.40					
	P	32	13.35	14.85	16.40	17.95	19.55	21.10	21.80	22.80
		38	13.90	15.60	17.35	19.10	20.90	22.60	23.40	24.50
		43	14.25	16.10	18.00	19.90	21.90	23.80	24.60	
		46	14.40	16.35	18.35	20.40	22.40			
		49		16.55	18.65					
Z9-4MJ-33X (4)	Q	32	27.80	34.50	42.00	50.40	59.60	69.60	73.80	80.30
		38	25.40	31.60	38.50	46.20	54.60	63.80	67.70	73.70
		43	23.40	29.20	35.60	42.70	50.50			
		46	22.20	27.70	33.80	40.60				
		49		26.20	32.00					
	P	32	14.80	16.55	18.35	20.20	22.20	24.30	25.20	26.50
		38	15.40	17.40	19.40	21.50	23.70	26.00	27.00	28.40
		43	15.75	17.95	20.20	22.50	24.90			
		46	15.90	18.25	20.60	23.10				
		49		18.45	21.00					
Z12-4MK-35X (4)	Q	32	32.86	40.78	49.70	59.66	70.64	82.64	87.71	95.60
		38	30.18	37.52	45.74	54.88	64.95	75.94	80.59	87.83
		43	27.93	34.78	42.40	50.84	60.14	70.28		
		46	26.58	33.12	40.38	48.40	57.22			
		49		31.46	38.35					
	P	32	17.55	19.50	21.50	23.57	25.73	27.99	28.93	30.37
		38	18.22	20.42	22.67	24.98	27.36	29.84	30.86	32.43
		43	18.65	21.08	23.54	26.05	28.64	31.31		
		46	18.85	21.41	24.01	26.65	29.36			
		49		21.70	24.43					
Z12-6MI-40X (4)	Q	32	37.48	46.33	56.12	66.87	78.55	91.12	96.38	104.50
		38	34.26	42.50	51.53	61.38	72.04	83.49	88.28	95.67
		43	31.51	39.22	47.61	56.70	66.51			
		46	29.83	37.23	45.22	53.85				
		49		35.21						
	P	32	20.62	23.04	25.56	28.19	30.94	33.85	35.07	36.94
		38	21.35	24.10	26.92	29.85	32.89	36.08	37.39	39.42
		43	21.80	24.83	27.94	31.13	34.44			
		46	21.99	25.20	28.49	31.85				
		49		25.51						

Q = Capacity in kW
P = Power input in kW
Rating at: 20°C Suction gas return, 0K Subcooling

* At 3K Subcooling, capacity increases by approximately 5%
* Stated power values are inclusive of fan power

Technical data

R22
2-stage

Condensing unit (Number of fans)		Ambient (°C)	Evaporating temperature °C						
			-50	-45	-40	-35	-30	-25	-20
Z9-6TA-150X SUB (4)	Q	32	7.54	9.48	11.84	14.69	18.07	22.07	26.74
		38	7.32	9.24	11.56	14.36	17.68	21.61	26.19
		43		8.98	11.27	14.02	17.29	21.14	25.65
		46		8.79	11.06	13.78	17.02	20.83	25.28
		49		8.58	10.82	13.51			
	P	32	8.49	9.30	10.19	11.18	12.26	13.44	14.71
		38	8.92	9.80	10.79	11.89	13.09	14.41	15.84
		43		10.21	11.29	12.48	13.80	15.24	16.81
		46		10.45	11.58	12.84	14.22	15.74	17.40
		49		10.68	11.87	13.19			
Z9-6TH-200X SUB (4)	Q	32	9.43	11.87	14.83	18.38	22.61	27.58	33.37
		38	9.16	11.57	14.47	17.95	22.08	26.95	32.61
		43		11.25	14.10	17.51	21.57	26.33	31.87
		46		11.03	13.84	17.22	21.22		
		49		10.78	13.56				
	P	32	10.33	11.37	12.55	13.87	15.34	16.98	18.82
		38	10.82	11.97	13.29	14.78	16.45	18.32	20.42
		43		12.47	13.91	15.55	17.39	19.46	21.79
		46		12.75	14.28	16.01	17.97		
		49		13.03	14.65				
Z12-6TJ-250X SUB (4)	Q	32	10.07	12.98	16.50	20.75	25.82	31.80	38.79
		38	9.68	12.56	16.04	20.23	25.22	31.11	37.98
		43		12.14	15.58	19.71	24.63	30.43	37.21
		46		11.85	15.26	19.36	24.23	29.98	36.69
		49		11.53	14.91	18.97			
	P	32	11.79	13.11	14.57	16.19	17.97	19.91	22.03
		38	12.30	13.74	15.36	17.15	19.12	21.28	23.64
		43		14.25	16.00	17.94	20.09	22.44	25.02
		46		14.54	16.38	18.42	20.67	23.14	25.86
		49		14.83	16.75	18.89			
Z12-6TK-300X SUB (4)	Q	32	12.51	16.86	21.67	27.05	33.09	39.88	47.50
		38	12.12	16.55	21.40	26.77	32.75	39.43	46.89
		43		16.39	21.26	26.61	32.53	39.11	46.42
		46		16.34	21.21	26.54	32.42		
		49		16.32	21.20				
	P	32	13.86	15.85	17.93	20.08	22.33	24.66	27.11
		38	14.47	16.64	18.90	21.25	23.70	26.24	28.90
		43		17.24	19.66	22.18	24.80	27.52	30.37
		46		17.56	20.08	22.71	25.43		
		49		17.86	20.48				

Q = Capacity in kW
P = Power input in kW
Rating at: 20°C Suction gas return, 0K Subcooling

* At 3K Subcooling, capacity increases by approximately 5%
* Stated power values are inclusive of fan power

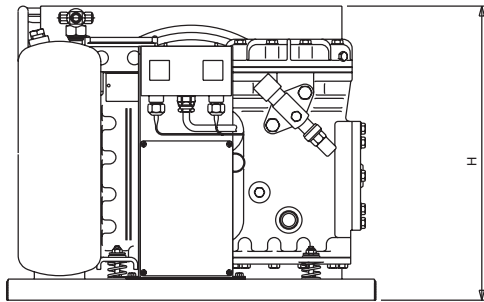
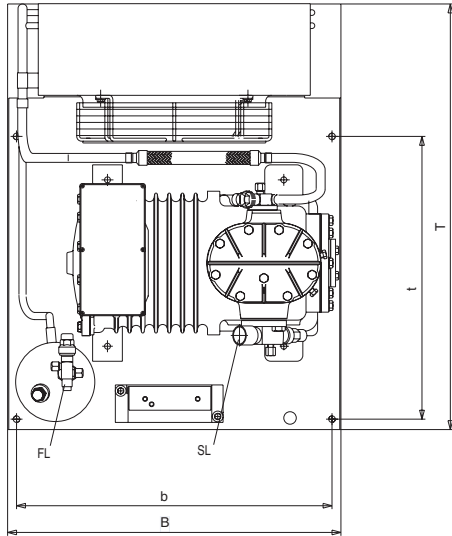
Condensing unit (Number of fans)		Ambient (°C)	Evaporating temperature °C								
			-60	-55	-50	-45	-40	-35	-30	-25	-20
Z9-6TA-150X SUB (4)	Q	32	4.73	6.55	8.66	11.09	13.87	17.00	20.49	24.36	28.60
		38	4.66	6.41	8.44	10.77	13.42	16.41	19.74	23.42	27.45
		43	4.59	6.28	8.23	10.46	13.00	15.85	19.03	22.54	
		46	4.55	6.19	8.08	10.25	12.71	15.48	18.57	21.97	
		49	4.50	6.09	7.93	10.03	12.41	15.09			
	P	32	7.82	8.75	9.71	10.71	11.75	12.82	13.93	15.09	16.32
		38	8.21	9.19	10.23	11.31	12.44	13.61	14.84	16.13	17.50
		43	8.58	9.60	10.70	11.85	13.05	14.31	15.63	17.03	
		46	8.81	9.86	10.99	12.18	13.42	14.73	16.11	17.57	
		49	9.04	10.13	11.29	12.51	13.81	15.17			
Z9-6TH-200X SUB (4)	Q	32	6.17	8.17	10.55	13.32	16.46	19.98	23.84	28.03	32.49
		38	6.00	7.96	10.27	12.93	15.94	19.29	22.96	26.92	31.11
		43	5.85	7.76	10.00	12.57	15.47	18.68	22.18	25.94	
		46	5.74	7.63	9.83	12.34	15.17	18.29	21.69		
		49	5.63	7.49	9.64	12.10					
	P	32	9.20	10.53	11.86	13.22	14.64	16.13	17.70	19.40	21.24
		38	9.67	11.06	12.49	13.96	15.49	17.11	18.83	20.68	22.68
		43	10.11	11.56	13.05	14.60	16.23	17.95	19.78	21.76	
		46	10.39	11.87	13.40	15.00	16.68	18.46	20.36		
		49	10.70	12.20	13.77	15.41					
Z12-6TJ-250X SUB (4)	Q	32	7.65	9.75	12.51	15.85	19.66	23.84	28.26	32.77	37.21
		38	7.42	9.42	12.04	15.21	18.84	22.80	26.98	31.22	35.38
		43	7.24	9.13	11.64	14.67	18.13	21.92	25.89	29.91	
		46	7.14	8.96	11.39	14.34	17.70	21.37	25.22	29.10	
		49	7.03	8.79	11.14	14.00	17.27	20.82			
	P	32	11.52	12.68	14.06	15.63	17.33	19.12	20.92	22.66	24.29
		38	12.02	13.26	14.73	16.41	18.24	20.17	22.14	24.08	25.91
		43	12.47	13.78	15.33	17.10	19.03	21.09	23.21	25.31	
		46	12.75	14.11	15.71	17.53	19.54	21.67	23.87	26.07	
		49	13.05	14.46	16.11	17.99	20.06	22.27			
Z12-6TK-300X SUB (4)	Q	32	10.54	13.70	17.39	21.64	26.50	31.99	38.13	44.96	52.48
		38	10.08	13.20	16.83	20.99	25.74	31.09	37.08	43.72	51.03
		43	9.78	12.86	16.42	20.51	25.15	30.38	36.22	42.70	
		46	9.65	12.69	16.21	20.25	24.83	29.98	35.73		
		49	9.56	12.57	16.04	20.02					
	P	32	13.32	15.15	16.99	18.92	20.99	23.26	25.80	28.69	31.99
		38	14.04	15.98	17.95	20.01	22.23	24.67	27.39	30.47	33.98
		43	14.63	16.67	18.75	20.93	23.28	25.86	28.74	31.99	
		46	14.98	17.08	19.23	21.49	23.92	26.59	29.56		
		49	15.32	17.48	19.70	22.04					

Q = Capacity in kW
P = Power input in kW
Rating at: 20°C Suction gas return, 0K Subcooling

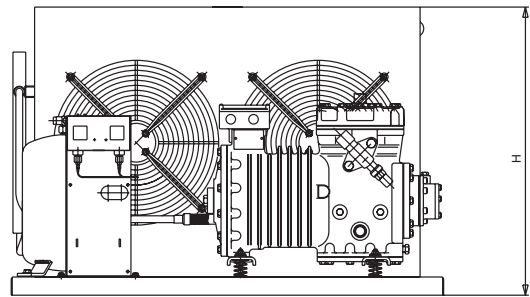
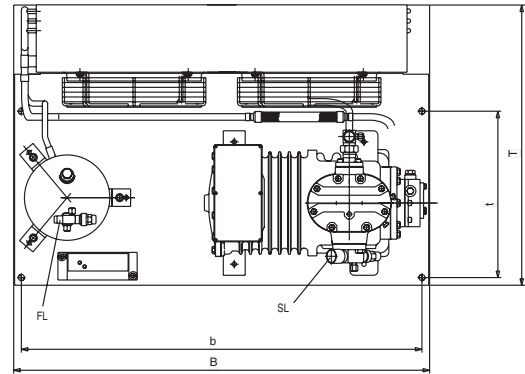
* At 3K Subcooling, capacity increases by approximately 5%
* Stated power values are inclusive of fan power

Dimensional drawings

Condenser B, D, H, M with K, L, 2S compressor



Condenser R with L compressor

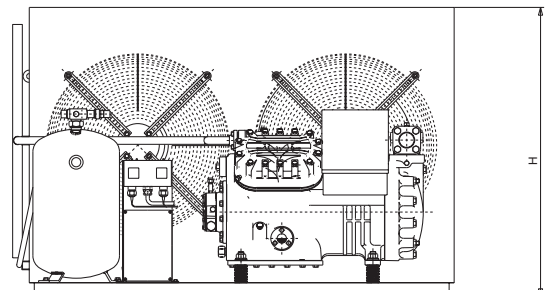
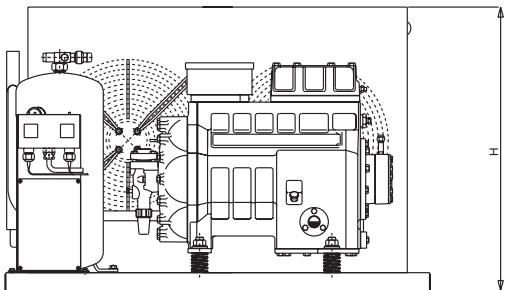
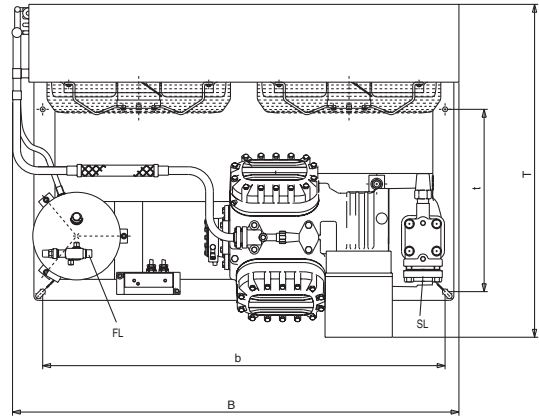
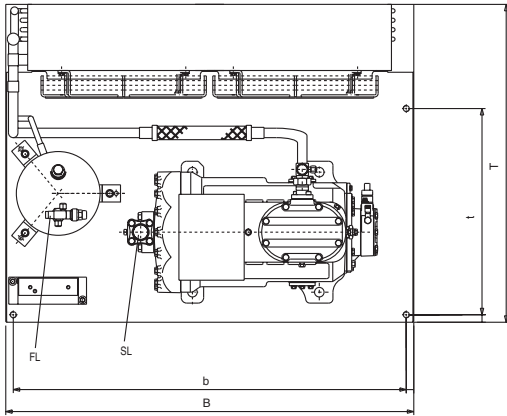


- H:** Height
- B:** Width
- T:** Depth
- b,t:** Dimensions (holes)
- SL:** Suction line
- FL:** Liquid line

Dimensional drawings

Condenser R, S, V, W with 2S, 3S, 2D, 3D compressor

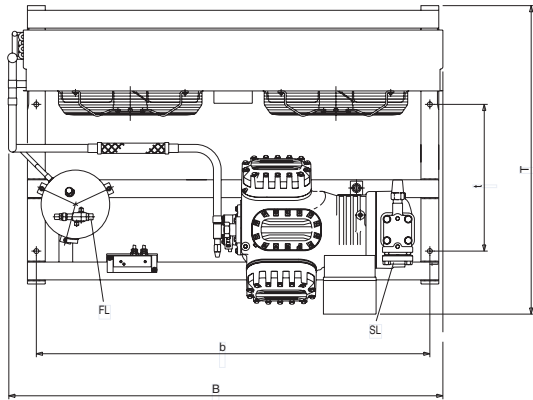
Condenser V, W with 4M compressor



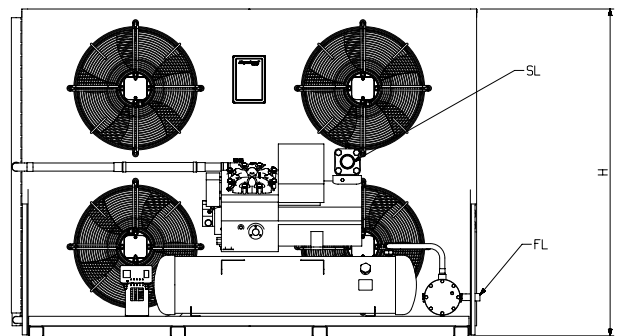
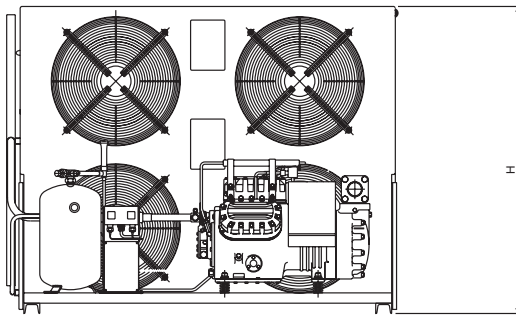
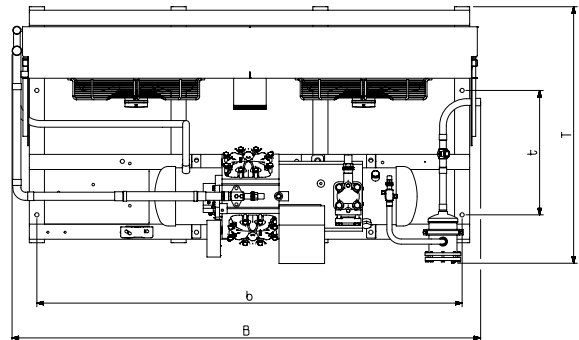
- H:** Height
- B:** Width
- T:** Depth
- b,t:** Dimensions (holes)
- SL:** Suction line
- FL:** Liquid line

Dimensional drawings

Condenser Z9 with 4M, 6M, 6T compressor



Condenser Z12 with 4M, 6M, 6T compressor



H: Height

B: Width

T: Depth

b,t: Dimensions (holes)

SL: Suction line

FL: Liquid line

Mechanical data

SR.No.	Condensing units	Compressor	Receiver Capacity, Ltr (F01,F02,F03 models)	Receiver capacity Ltr	Mounting Dimensions (hole dia), mm (b x t)	Number of fans	cu.m/ sec	Gross weight kg	Height mm	Depth/ width mm (T/B)	Suction diameter inch (SL)	Liquid line inch (FL)
1	B8-KJ-10X	KJ-10	NA	3.3	530 x 330 (11)	1	0.36	67.5	396	570/560	5/8	1/2
2	B8-KJ-7X	KJ-7	NA	3.3	530 x 330 (11)	1	0.36	67.5	396	570/560	5/8	1/2
3	B8-KL-15X	KL-15	NA	3.3	530 x 330 (11)	1	0.36	67.5	396	570/560	5/8	1/2
4	B8-KM-7X	KM-7	NA	3.3	530 x 330 (11)	1	0.36	67.5	396	570/560	1/2	1/2
5	B8-KSJ-10X	KSJ-10	NA	3.3	530 x 330 (11)	1	0.36	68.5	396	570/560	5/8	1/2
6	D8-KSJ-15X	KSJ-15	NA	3.9	530 x 330 (11)	1	0.51	72	446	570/560	7/8	1/2
7	D8-KSL-20X	KSL-20	NA	3.9	530 x 330 (11)	1	0.51	70	446	570/560	5/8	1/2
8	H7-KSL-20X	KSL-20	NA	7.9	700 x 370 (14)	1	0.67	79	531	680/735	5/8	1/2
9	H7-LF-20X	LF-20	NA	7.9	700 x 370 (14)	1	0.67	79	531	680/735	7/8	1/2
10	H8-KSL-20X	KSL-20	NA	7.9	700 x 370 (11)	1	1	70	533	680/735	5/8	1/2
11	H8-LE-20X	LE-20	NA	7.9	700 x 370 (14)	1	1	123	533	680/735	7/8	1/2
12	H8-LF-30X	LF-30	NA	7.9	700 x 370 (14)	1	1	123	533	680/735	7/8	1/2
13	H8-LJ-20X	LJ-20	NA	7.9	700 x 370 (14)	1	1	118	533	680/735	7/8	1/2
14	H8-LJ-30X	LJ-30	NA	7.9	700 x 370 (14)	1	1	123	533	680/735	7/8	1/2
15	H8-LL-30X	LL-30	NA	7.9	700 x 370 (14)	1	1	125	533	680/735	1 1/8	1/2
16	H8-LL-40X	LL-40	NA	7.9	700 x 370 (14)	1	1	127	533	680/735	1 1/8	1/2
17	H8-LSG-40X	LSG-40	NA	7.9	700 x 370 (14)	1	1	131	533	680/735	1 1/8	1/2
18	M8-2SA-45X	2SA-45	NA	7.9	700 x 390 (14)	1	0.92	167	708	730/735	1 1/8	1/2
19	M8-2SA-45X Air	2SA-45 Air	NA	7.9	700 x 390 (14)	1	0.92	167	708	730/735	1 1/8	1/2
20	R6-2SA-55X	2SA-55	NA	7.9	1095 x 475 (14)	2	1.29	170	630	820/1130	1 1/8	1/2
21	R6-LHA-50X	LHA-50	NA	7.9	1095 x 475 (14)	2	1.29	170	630	820/1130	1 1/8	1/2
22	R6-LF-30X	LF-30	NA	7.9	1095 x 475 (14)	2	1.29	170	630	820/1130	7/8	1/2
23	R6-LJ-30X	LJ-30	NA	7.9	1095 x 475 (14)	2	1.29	170	630	820/1130	7/8	1/2
24	R6-LL-40X	LL-40	NA	7.9	1095 x 475 (14)	2	1.29	170	630	820/1130	1 1/8	1/2
25	R7-2DB-50X	2DB-50	7.9	7.9	1095 x 475 (14)	2	1.97	236	633	835/1173	1 3/8	1/2
26	R7-2DB-50X-DC	2DB-50-DC	7.9	7.9	1095 x 475 (14)	2	1.97	236	633	835/1173	1 3/8	1/2
27	R7-2DD-50X	2DD-50	11.7	15.8	1095 x 475 (14)	2	1.97	236	633	835/1173	1 3/8	5/8
28	R7-2DL-75X	2DL-75	11.7	15.8	1095 x 475 (14)	2	1.97	245	633	835/1173	1 3/8	5/8
29	R7-2SA-45X	2SA-45	15.8	15.8	1095 x 475 (14)	2	1.97	167	633	835/1173	1 1/8	1/2
30	R7-2SA-45X Air	2SA-45 Air	15.8	15.8	1095 x 475 (14)	2	1.97	167	633	835/1173	1 1/8	1/2
31	R7-3DC-75X-DC	3DC-75-DC	11.7	15.8	1095 x 475 (14)	2	1.97	358	633	835/1173	1 3/8	5/8
32	R7-3DC-75X	3DC-75	11.7	15.8	1095 x 475 (14)	2	1.97	358	633	835/1173	1 3/8	5/8
33	R7-LHA-50X	LHA-50	7.9	7.9	1095 x 475 (14)	2	1.97	236	633	835/1173	1 1/8	1/2
34	S9-2DB-75X	2DB-75	11.7	15.8	1095 x 475 (14)	2	1.94	252	708	835/1173	1 3/8	5/8
35	S9-2SC-55X	2SC-55	15.8	15.8	1095 x 475 (14)	2	1.94	167	708	835/1173	1 1/8	1/2
36	S9-2SC-65X	2SC-65	15.8	15.8	1095 x 475 (14)	2	1.94	180	708	835/1173	1 1/8	5/8
37	S9-3DA-75X	3DA-75	15.8	18.9	1295 x 475 (14)	2	1.94	339	708	835/1173	1 3/8	5/8
38	S9-3DS-100X-DC	3DS-100-DC	15.8	15.8	1095 x 475 (14)	2	1.94	279	708	835/1173	1 3/8	5/8
39	S9-3DS-100X	3DS-100	15.8	15.8	1095 x 475 (14)	2	1.94	279	708	835/1173	1 3/8	5/8
40	S9-3SC-75X-DTC	3SC-75-DTC	15.8	15.8	1095 x 475 (14)	2	1.94	360	708	835/1173	1 3/8	5/8
41	S9-3SC-75X	3SC-75	15.8	15.8	1095 x 475 (14)	2	1.94	284	708	835/1173	1 3/8	5/8
42	V6-3DC-100X	3DC-100	15.8	18.9	1295 x 475 (14)	2	2.97	358	835	820/1330	1 3/8	7/8
43	V6-3SC-75X-DTC	3SC-75-DTC	18.9	18.9	1295 x 475 (14)	2	2.97	360	835	820/1330	1 3/8	5/8
44	V6-3SC-75X	3SC-75	18.9	18.9	1295 x 475 (14)	2	2.97	360	835	820/1330	1 3/8	5/8
45	V6-3SC-100X	3SC-100	18.9	18.9	1295 x 475 (14)	2	2.97	360	835	820/1330	1 3/8	5/8

Mechanical data

SR. No.	Condensing units	Compressor	Receiver Capacity, Ltr (F01,F02,F03 models)	Receiver capacity Ltr	Mounting Dimensions (hole dia), mm (b x t)	Number of fans	cu.m/ sec	Gross weight kg	Height mm	Depth/ width mm (T/B)	Suction diameter inch (SL)	Liquid line inch (FL)
46	V6-3SS-100X-DTC	3SS-100-DTC	18.9	18.9	1295 x 475 (14)	2	2.97	417	835	820/1358	1 3/8	5/8
47	V6-3SS-100X	3SS-100	18.9	18.9	1295 x 475 (14)	2	2.97	360	835	820/1358	1 3/8	5/8
48	V9-2SK-65X	2SK-65	18.9	18.9	1295 x 475 (14)	2	2.18	167	835	820/1358	1 1/8	5/8
49	V9-3SA-75X	3SA-75	18.9	18.9	1295 x 475 (14)	2	2.18	295	835	820/1358	1 3/8	5/8
50	W9-3DS-150X	3DS-150	18.9	18.9	1605 x 475 (14)	2	3.33	417	869	836/1683	1 5/8	7/8
51	W9-3SS-150X	3SS-150	18.9	18.9	1605 x 475 (14)	2	3.33	417	869	836/1683	1 5/8	7/8
52	W9-3SS-100X-DTC	3SS-100-DTC	18.9	18.9	1605 x 475 (14)	2	3.33	417	869	820/1674	1 3/8	7/8
53	W9-3SS-100X	3SS-100	18.9	18.9	1605 x 475 (14)	2	3.33	417	869	820/1674	1 3/8	7/8
54	W9-4MF-13X-DC	4MF-13-DC	18.9	18.9	1435 x 535 (18)	2	3.33	472	875	1135/1609	1 5/8	5/8
55	W9-4MF-13X	4MF-13	18.9	18.9	1435 x 535 (18)	2	3.33	472	875	1135/1609	1 5/8	5/8
56	W9-4ML-15X-DC	4ML-15-DC	18.9	18.9	1435 x 535 (18)	2	3.33	472	875	1135/1609	1 5/8	5/8
57	W9-4ML-15X	4ML-15	18.9	18.9	1435 x 535 (18)	2	3.33	472	875	1135/1609	1 5/8	5/8
58	W9-4MM-20X	4MM-20	18.9	18.9	1435 x 535 (18)	2	3.33	472	875	1135/1609	2 1/8	7/8
59	W9-4MM-20X-DC	4MM-20-DC	18.9	18.9	1435 x 535 (18)	2	3.33	472	875	1135/1609	2 1/8	7/8
60	W9-4MT-22X	4MT-22	18.9	18.9	1435 x 535 (18)	2	3.33	472	875	1135/1609	2 1/8	7/8
61	W9-4MT-22X-DC	4MT-22-DC	18.9	18.9	1435 x 535 (18)	2	3.33	472	875	1135/1609	2 1/8	7/8
62	Z9-4MA-22X	4MA-22	18.9	18.9	1435 x 535 (18)	4	5.41	548	1263	1107/1600	1 5/8	7/8
63	Z9-4MH-25X	4MH-25	23.5	18.9	1435 x 535 (18)	4	5.41	554	1263	1135/1600	2 1/8	7/8
64	Z9-4MI-30X	4MI-30	23.5	18.9	1435 x 535 (18)	4	5.41	581	1263	1135/1600	2 1/8	7/8
65	Z9-4MJ-33X	4MJ-33	23.5	18.9	1435 x 535 (18)	4	5.41	581	1263	1135/1600	2 1/8	7/8
66	Z9-4MT-22X	4MT-22	18.9	18.9	1435x515 (18)	4	5.41	554	1263	1135/1600	2 1/8	7/8
67	Z9-4MU-25X	4MU-25	18.9	18.9	1435 x 535 (18)	4	5.41	557	1263	1135/1600	2 1/8	7/8
68	Z9-4MU-25X-DC	4MU-25-DC	18.9	18.9	1435 x 535 (18)	4	5.41	557	1263	1135/1600	2 1/8	7/8
69	Z9-6MM-30X	6MM-30	23.5	18.9	1435x515 (18)	4	5.41	575	1263	1130/1600	2 1/8	7/8
70	Z9-6MM-30X-DC	6MM-30-DC	23.5	18.9	1435x515 (18)	4	5.41	575	1263	1130/1600	2 1/8	7/8
71	Z12-6MU-40X-DC	6MU-40-DC	47.9	NA	1829 x 535 (18)	4	7.5	720	1406	1180/2001	2 5/8	7/8
72	Z12-6MU-40X	6MU-40	47.9	NA	1829 x 535 (18)	4	7.5	720	1406	1180/2001	2 5/8	7/8
73	Z12-4MK-35X	4MK-35	47.9	NA	1829 x 535 (18)	4	7.5	697	1406	1180/2001	2 1/8	7/8
74	Z12-6MI-40X	6MI-40	47.9	NA	1829 x 535 (18)	4	7.5	714	1406	1180/2001	2 1/8	7/8
75	Z9-6TA-150X SUB	6TA-150 SUB	NA	18.9	1435 x 535 (18)	4	5.41	614	1263	1138/1600	1 5/8	7/8
76	Z9-6TH-200X SUB	6TH-200 SUB	NA	23.0	1435 x 535 (18)	4	5.41	617	1263	1138/1600	1 5/8	7/8
77	Z12-6TJ-250X SUB	6TJ-250	47.9	NA	1829 x 535 (18)	4	7.5	804	1406	1180/2015	2 1/8	7/8
78	Z12-6TK-300X SUB	6TK-300 SUB	47.9	NA	1829 x 535 (18)	4	7.5	825	1406	1180/2001	2 1/8	7/8

Electrical data

SR.No.	Condensing units	Compressor maximum operating current (A)		Compressor locked rotor current (A)		Condenser Fan Current for each fan (230V/1 Phase)
		EWL	AWM	EWL	AWM	
1	B8-KJ-10X	3.2		15.5		0.38
2	B8-KJ-7X	2.40		12.20		0.38
3	B8-KL-15X	3.4		19.1		0.38
4	B8-KM-7X	2.4		12.2		0.38
5	B8-KSJ-10X	3.0		15.5		0.38
6	D8-KSJ-15X	3.4		19.1		0.60
7	D8-KSL-20X	4.7		23.3		0.60
8	H7-KSL-20X	4.7		23.3		0.60
9	H7-LF-20X	5.5		37.6		0.60
10	H8-KSL-20X	4.7		23.3		1.15
11	H8-LE-20X	5.7		37.6		1.15
12	H8-LF-30X	6.8		50.6		1.15
13	H8-LJ-20X	5.6		37.6		1.15
14	H8-LJ-30X	7.4		50.6		1.15
15	H8-LL-30X	7.3		50.6		1.15
16	H8-LL-40X	9.9		58.9		1.15
17	H8-LSG-40X	8.9		58.9		1.15
18	M8-2SA-45X	11.4		68.5		1.15
19	M8-2SA-45X Air	11.4		68.5		1.15
20	R6-2SA-55X	13.1		67.3		0.60
21	R6-LHA-50X	13.1		74.1		0.60
22	R6-LF-30X	6.8		50.6		0.60
23	R6-LJ-30X	7.4		50.6		0.60
24	R6-LL-40X	9.9		58.9		0.60
25	R7-2DB-50X		13.4		55	1.15
26	R7-2DB-50X-DC		13.4		55	1.15
27	R7-2DD-50X		10.3		55.0	1.15
28	R7-2DL-75X		13.8		82.0	1.15
29	R7-2SA-45X	11.4		68.5		1.15
30	R7-2SA-45X Air	11.4		68.5		1.15
31	R7-3DC-75X-DC		13.8		82.0	1.15
32	R7-3DC-75X		18.3		82.0	1.15
33	R7-LHA-50X		12.4		85.3	1.15
34	S9-2DB-75X		16.1		82.0	1.15
35	S9-2SC-55X	13.1		74.1		1.15
36	S9-2SC-65X	16.2		85.3		1.15
37	S9-3DA-75X		17.5		106.0	1.15
38	S9-3DS-100X-DC		18.6		121.0	1.15
39	S9-3DS-100X		24.4		121.0	1.15
40	S9-3SC-75X-DTC		17.0		82.0	1.15
41	S9-3SC-75X		18.7		82.0	1.15
42	V6-3DC-100X		20.5		121.0	1.85
43	V6-3SC-75X-DTC		17.0		82.0	1.85
44	V6-3SC-75X		18.7		82.0	1.85
45	V6-3SC-100X		21.6		106.0	1.85

Electrical data

SR.No.	Condensing units	Compressor maximum operating current (A)		Compressor locked rotor current (A)		Condenser Fan Current for each fan (230V/1 Phase)
		EWL	AWM	EWL	AWM	
46	V6-3SS-100X-DTC		24.2		125.0	1.85
47	V6-3SS-100X		26.0		109.0	1.85
48	V9-2SK-65X		16.4		85.3	1.15
49	V9-3SA-75X		17.9		82.0	1.15
50	W9-3DS-150X		29.0		123.0	1.85
51	W9-3SS-150X		30.2		125	1.85
52	W9-3SS-100X-DTC		24.2		125.0	1.85
53	W9-3SS-100X		26.0		109.0	1.85
54	W9-4MF-13X-DC		30.8		105	1.85
55	W9-4MF-13X		30.8		105	1.85
56	W9-4ML-15X-DC		35.4		156	1.85
57	W9-4ML-15X		35.4		156	1.85
58	W9-4MM-20X		39.0		175.0	1.85
59	W9-4MM-20X-DC		39.0		175.0	1.85
60	W9-4MT-22X		44.5		175.0	1.85
61	W9-4MT-22X-DC		44.5		175.0	1.85
62	Z9-4MA-22X		36.3		175.0	1.85
63	Z9-4MH-25X		41.6		199.0	1.85
64	Z9-4MI-30X		46.6		221.0	1.85
65	Z9-4MJ-33X		52.9		221.0	1.85
66	Z9-4MT-22X		44.5		175.0	1.85
67	Z9-4MU-25X		51.9		199.0	1.85
68	Z9-4MU-25X-DC		51.9		199.0	1.85
69	Z9-6MM-30X		59.7		255.0	1.85
70	Z9-6MM-30X-DC		59.7		255.0	1.85
71	Z12-6MU-40X-DC		75.8		306	1.35 (400V/3 phase)
72	Z12-6MU-40X		75.8		306	1.35 (400V/3 phase)
73	Z12-4MK-35X		61.1		255	1.35 (400V/3 phase)
74	Z12-6MI-40X		71.4		304	1.35 (400V/3 phase)
75	Z9-6TA-150X SUB		29.4		173.0	1.85
76	Z9-6TH-200X SUB		37.7		173.0	1.85
77	Z12-6TJ-250X SUB		44.6		197	1.35 (400V/3 phase)
78	Z12-6TK-300X SUB		54.5		304	1.35 (400V/3 phase)

Model options

SR.No	Models	-B	F01	F02	F03
1	B8-KJ-10X	✓	x	x	x
2	B8-KJ-7X	✓	x	x	x
3	B8-KL-15X	✓	x	x	x
4	B8-KM-7X	✓	x	x	x
5	B8-KSJ-10X	✓	x	x	x
6	D8-KSJ-15X	✓	x	x	x
7	D8-KSL-20X	✓	x	x	x
8	H7-KSL-20X	✓	x	x	x
9	H7-LF-20X	✓	x	x	x
10	H8-KSL-20X	✓	x	x	x
11	H8-LE-20X	✓	x	x	x
12	H8-LF-30X	✓	x	x	x
13	H8-LJ-20X	✓	x	x	x
14	H8-LJ-30X	✓	x	x	x
15	H8-LL-30X	✓	x	x	x
16	H8-LL-40X	✓	x	x	x
17	H8-LSG-40X	✓	x	x	x
18	M8-2SA-45X	✓	x	x	x
19	M8-2SA-45X Air	✓	x	x	x
20	R6-2SA-55X	✓	x	x	x
21	R6-LHA-50X	✓	x	x	x
22	R6-LF-30X	✓	x	x	x
23	R6-LJ-30X	✓	x	x	x
24	R6-LL-40X	✓	x	x	x
25	R7-2DB-50X	✓	✓	✓	✓
26	R7-2DB-50X-DC	✓	✓	✓	✓
27	R7-2DD-50X	✓	✓	✓	✓
28	R7-2DL-75X	✓	✓	✓	✓
29	R7-2SA-45X	✓	✓	✓	✓
30	R7-2SA-45X Air	✓	✓	✓	✓
31	R7-3DC-75X-DC	✓	✓	✓	✓
32	R7-3DC-75X	✓	✓	✓	✓
33	R7-LHA-50X	✓	✓	x	x
34	S9-2DB-75X	✓	✓	✓	✓
35	S9-2SC-55X	✓	✓	✓	✓
36	S9-2SC-65X	✓	✓	✓	✓
37	S9-3DA-75X	✓	✓	✓	✓
38	S9-3DS-100X-DC	✓	✓	✓	✓
39	S9-3DS-100X	✓	✓	✓	✓
40	S9-3SC-75X-DTC	✓	✓	✓	✓
41	S9-3SC-75X	✓	✓	✓	✓
42	V6-3DC-100X	✓	✓	✓	✓
43	V6-3SC-75X-DTC	x	✓	✓	✓
44	V6-3SC-75X	✓	✓	✓	✓
45	V6-3SC-100X	✓	✓	✓	✓
46	V6-3SS-100X-DTC	x	✓	✓	✓
47	V6-3SS-100X	✓	✓	✓	✓
48	V9-2SK-65X	✓	✓	✓	✓

SR.No	Models	-B	F01	F02	F03
49	V9-3SA-75X	✓	✓	✓	✓
50	W9-3DS-150X	✓	✓	✓	✓
51	W9-3SS-150X	✓	✓	✓	✓
52	W9-3SS-100X-DTC	x	✓	✓	✓
53	W9-3SS-100X	✓	✓	✓	✓
54	W9-4MF-13X-DC	✓	✓	✓	✓
55	W9-4MF-13X	✓	✓	✓	✓
56	W9-4ML-15X-DC	✓	✓	✓	✓
57	W9-4ML-15X	✓	✓	✓	✓
58	W9-4MM-20X	✓	✓	✓	✓
59	W9-4MM-20X-DC	✓	✓	✓	✓
60	W9-4MT-22X	✓	✓	✓	✓
61	W9-4MT-22X-DC	✓	✓	✓	✓
62	Z9-4MA-22X	✓	✓	✓	✓
63	Z9-4MH-25X	✓	✓	✓	✓
64	Z9-4MI-30X	✓	✓	✓	✓
65	Z9-4MJ-33X	✓	✓	✓	✓
66	Z9-4MT-22X	✓	✓	✓	✓
67	Z9-4MU-25X	✓	✓	✓	✓
68	Z9-6MM-30X	✓	✓	✓	✓
69	Z9-6MM-30X-DC	✓	✓	✓	✓
70	Z9-4MU-25X-DC	✓	✓	✓	✓
71	Z12-6MU-40X-DC	x	✓	✓	✓
72	Z12-6MU-40X	x	✓	✓	✓
73	Z12-4MK-35X	x	✓	✓	x
74	Z12-6MI-40X	x	✓	✓	x
75	Z9-6TA-150X SUB	✓	x	x	x
76	Z9-6TH-200X SUB	✓	x	x	x
77	Z12-6TJ-250X SUB	x	x	x	✓
78	Z12-6TK-300X SUB	x	x	x	✓

Nomenclature	Option
-B	Standard
F01	Filter drier & sight glass
F02	Filter drier, sight glass & oil separator
F03	Filter drier, sight glass, oil separator & suction accumulator

Additional application guidelines

Vibrasorber

Wherever Vibrasorber is used please ensure that this is connected in parallel to compressor crankshaft. Connecting in other orientations could restrict the compressor movement and might lead to increased vibration and leakage.

Condensing unit on rubber pads

Please ensure that the condensing units are mounted on the rubber pads and not mounted directly on the concrete platform or welded directly on any frame.

Auto cycling HP cutout

As our condensing units are provided with Auto reset HP cutout, please ensure that the controller used in the system counts number of trips through HP within the span of time and if this exceeds the limit, the controller needs to trip the system to safe guard the compressor. Frequent cycling also leads to oil getting pumped out of the compressor and not sufficient time given for the oil to return back and this might lead to lubrication failure.

Continuous pump down cycle

Wherever Pump down cycle is provided, please ensure that this is of one time pump down cycle. In case of continuous pump down, any minor leakage in the liquid line solenoid valve or system with larger refrigerant charge might lead to frequent cycling of compressor during thermostat OFF cycle.

HP / LP cutout adjustment

Our HP / LP cutout is with the factory preset values. Please ensure that these are adjusted as per the application requirement. The adjustment stopper needs to be removed before the adjustment and to be fitted back in to the cutout for proper operation of the cutouts.

Compressor spring adjustment

Please remove the transportation clamps and adjust the mounting spring height before starting up the condensing unit.

Disclaimer:

Technical data given was correct at the time of printing. Products, specifications and data in this literature are subject to change without prior notice. Updates will be done periodically. Should you need clarification of a specific data, value or information, kindly contact Emerson representative.

Contact list

United Arab Emirates

Emerson Climate Technologies FZE
Jebel Ali Free Zone, PO Box 26382
Dubai, UAE
Toll Free: 8000-441-3428
Tel: + 971 4 8118100 | Fax: + 971 4 8865465

Saudi Arabia

Emerson Arabia Inc.
P.O Box 34332 – 3620 Building 7874, Unit 1, 67th Street 2nd Industrial City
Dammam, Saudi Arabia
Toll Free: 8008443426
Tel: + 966 3 8147560 | Fax: + 966 3 8147570

South Africa

Emerson Climate Technologies
11 Quark Crescent
Linbro Business Park
Sandton 2065, South Africa
Toll Free: 0800-980-3711
Tel : +27 11 451 3700 | Fax: +27 11 451 3800

ComResMEA.Marketing@Emerson.com