

# Solutions for Commercial Refrigeration and Food Service



Full touch controllers for ice cream freezers,  
cabinets, showcases and counters

**DIXELL™**

  
**EMERSON™**



## Solutions for commercial refrigeration and food service

XR-T & XRI-T Full Touch controllers are designed for commercial refrigeration, food service and catering. A greatest number of information, easy to clean, intuitive interaction, and more... are only some of several functions that characterize this series.

Their sleek design makes these controllers particularly appreciated and the ideal solution for: ice cream freezers, pastry refrigerators, warm cabinets, refrigerated cabinets, wine cellars, showcases and refrigerated counters.

- Capacitive touch user interface
- Interactive and ultra-wide display
- Compatible with Low GWP Refrigerants
- Water and dust resistant
- Reduced learning curve through simplified navigation and common gestures
- Quick installation and service operation



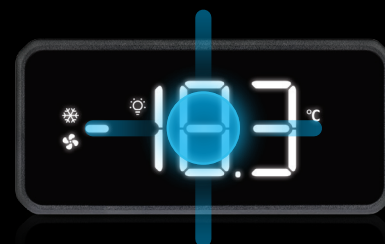
### Gestures



**Tap and Hold**  
Activate/Deactivate/Save



**One Tap**  
Switch ON/Switch OFF



**Swipe**  
Change Screen/Browse/Modify



### XRi30T

Full touch controller for plug-in unit with variable speed compressor

### XRi31T

Full touch controller for plug-in unit with variable speed compressor/fan

### XR20T

Full touch controller for static applications

### XR30T

Full touch controller with auxiliary relay for static applications

### XR60T

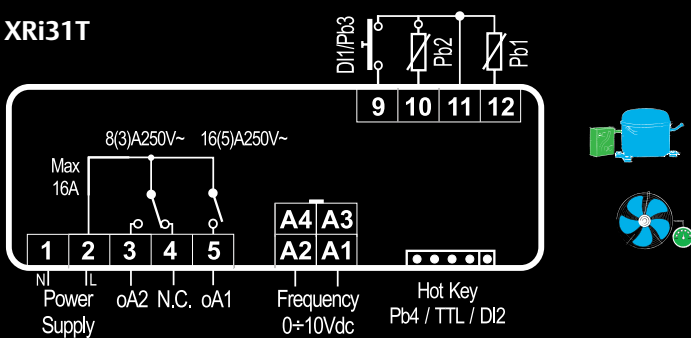
Full touch controller for ventilated applications

### XR70T

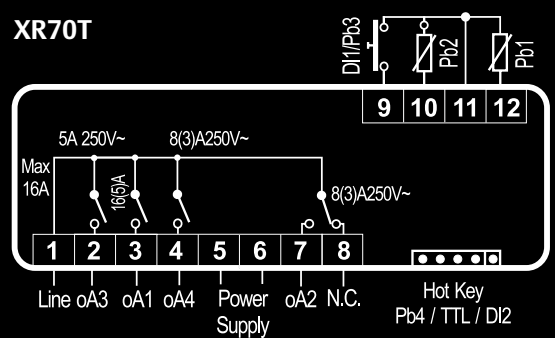
Full touch controller with auxiliary relay for ventilated applications

FEATURES	XRi30T	XRi31T	XR20T	XR30T	XR60T	XR70T
Display: n° digits	± 3 d.p.	± 3 d.p.	± 3 d.p.	± 3 d.p.	± 3 d.p.	± 3 d.p.
Power supply	110, 230Vac 100÷240Vac	110, 230Vac 100÷240Vac	110, 230Vac 100÷240Vac	110, 230Vac 100÷240Vac	110, 230Vac 100÷240Vac	110, 230Vac 100÷240Vac
Probe inputs	3 x NTC/PTC/PT1000 config	3 x NTC/PTC/PT1000 config	up to 2 x NTC/PTC/ PT1000 config	up to 3 x NTC/PTC/ PT1000 config	up to 4 x NTC/PTC/PT1000 config	up to 4 x NTC/PTC/ PT1000 config
Digital inputs	up to 2 x config	up to 2 x config	1 x config	1 x config	up to 2 x config	up to 2 x config
Relay outputs	16A + 8A SPDT config	16A + 8A SPDT config	16A config	16A +8A config	16A +8A + 8A SPDT config	16A +8A + 8A SPDT + 5A config
Hot Key output	pres	pres	pres	pres	pres	pres
Frequency output	pres	pres				
0÷10Vdc output		pres				
Serial output	TTL	TTL	TTL	TTL	TTL	TTL
Buzzer	pres	pres	pres	pres	pres	pres
Connectors	screw	screw	screw	screw	screw	screw
Real time clock	opt	opt	opt	opt	opt	opt
Remote display output	opt (excludes TTL)	opt (excludes TTL)	opt (excludes TTL)	opt (excludes TTL)	opt (excludes TTL)	opt (excludes TTL)

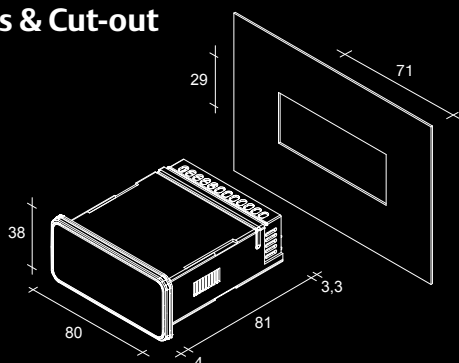
### XRi31T



### XR70T

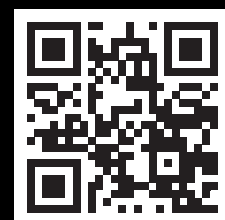


### Dimensions & Cut-out



### Website

Stay tuned on  
[fulltouch.info](http://fulltouch.info)



**Emerson Commercial & Residential Solutions**

Dixell S.r.l. - Z.I. Via dell'Industria, 27 - 32016 Alpago (BL) ITALY - Tel. +39.0437.9833 r.a. - Fax +39.0437.989313  
[climate.emerson.com/en-gb/brands/Dixell](http://climate.emerson.com/en-gb/brands/Dixell) - [Dixell@Emerson.com](mailto:Dixell@Emerson.com)

release 2.0 - 1582006900-GB

All trademarks are property of their respective owners. Dixell reserves the right to alter its products without notice. All rights reserved. Because environmental conditions are outside of Dixell's control, we cannot assume liability for results obtained nor any damages that may occur due to improper application. Manuals and updates are available on our Web Site [EmersonClimate.com](http://EmersonClimate.com)

**EMERSON. CONSIDER IT SOLVED.™**